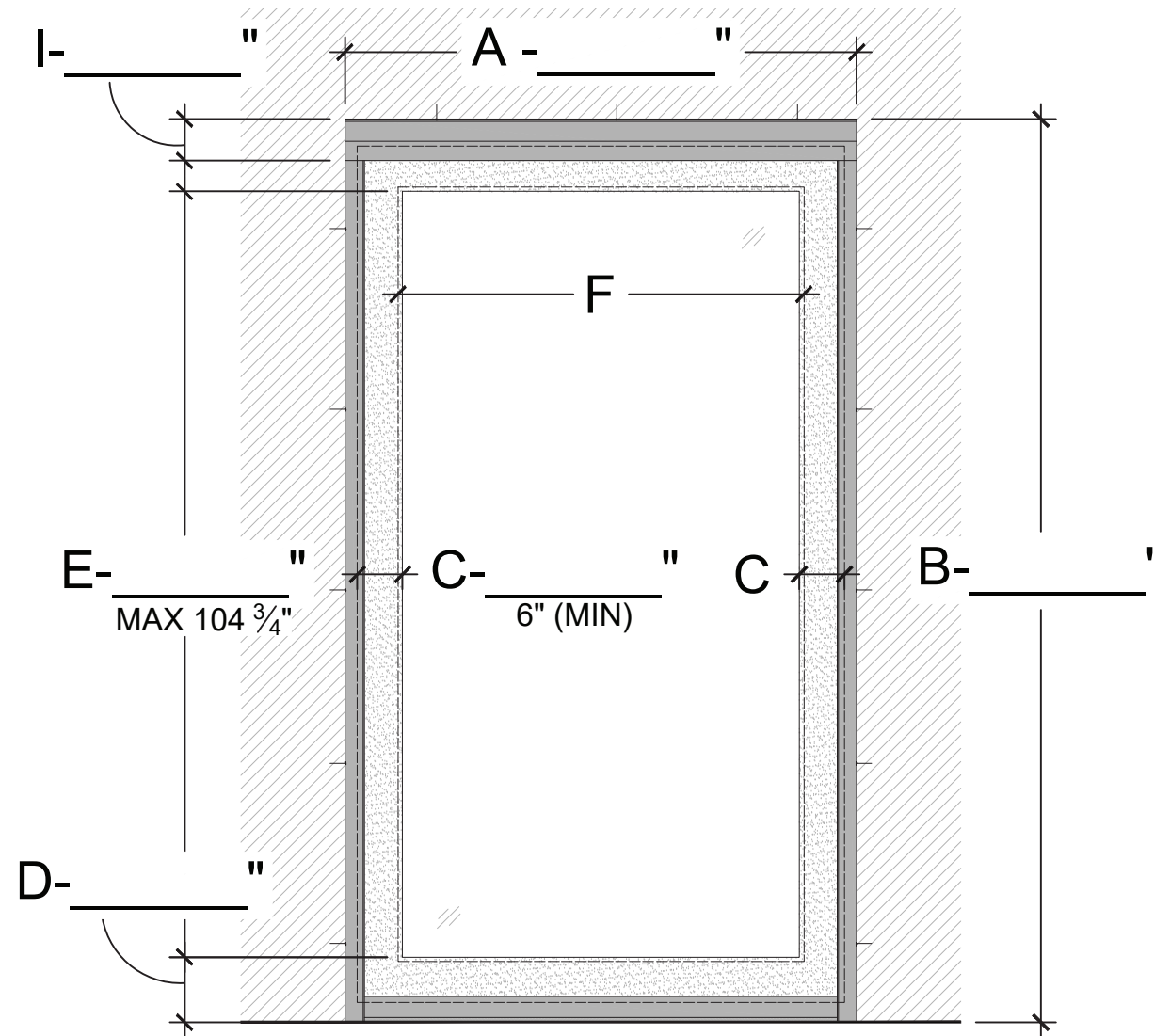


# 36" TO 68" - (1 PANEL)

CUSTOMER NAME: \_\_\_\_\_

PO / JOB NAME: \_\_\_\_\_

UNIT #: \_\_\_\_\_



**NOTES**

- OVERALL DIMENSIONS ARE BASED ON 6" (MIN) SPACING BETWEEN CLEAR WINDOWS.
- HOUSING END CAPS OR MOUNTING BRACKETS MUST BE SECURED PROPERLY AS THEY ARE THE LOAD BEARING POINTS OF THE SYSTEM. CENTER OF HOUSING ONLY NEED TO BE SECURED AS DEEMED NECESSARY TO STABILIZE HOUSING COVER.
- NEVER PLACE FASTENERS IN THE MIDDLE OF HOUSING (TOP OR BACK).**

SHOP DIMENSIONS - FOR INTERNAL USE ONLY				
OVERALL SCREEN CUT WIDTH (ADD 1.25" W/ KEDER)	OVERALL SCREEN CUT HEIGHT	SIDE BORDERS (6" MIN)	BOTTOM BORDER	TOP BORDER
HOOD SIZE	NUMBER OF WINDOW PANELS	OVERALL WINDOW WIDTH (F)	WINDOW PANEL CUT WIDTH (G) (MAX 106")	WINDOW PANEL CUT HEIGHT (MAX 52")

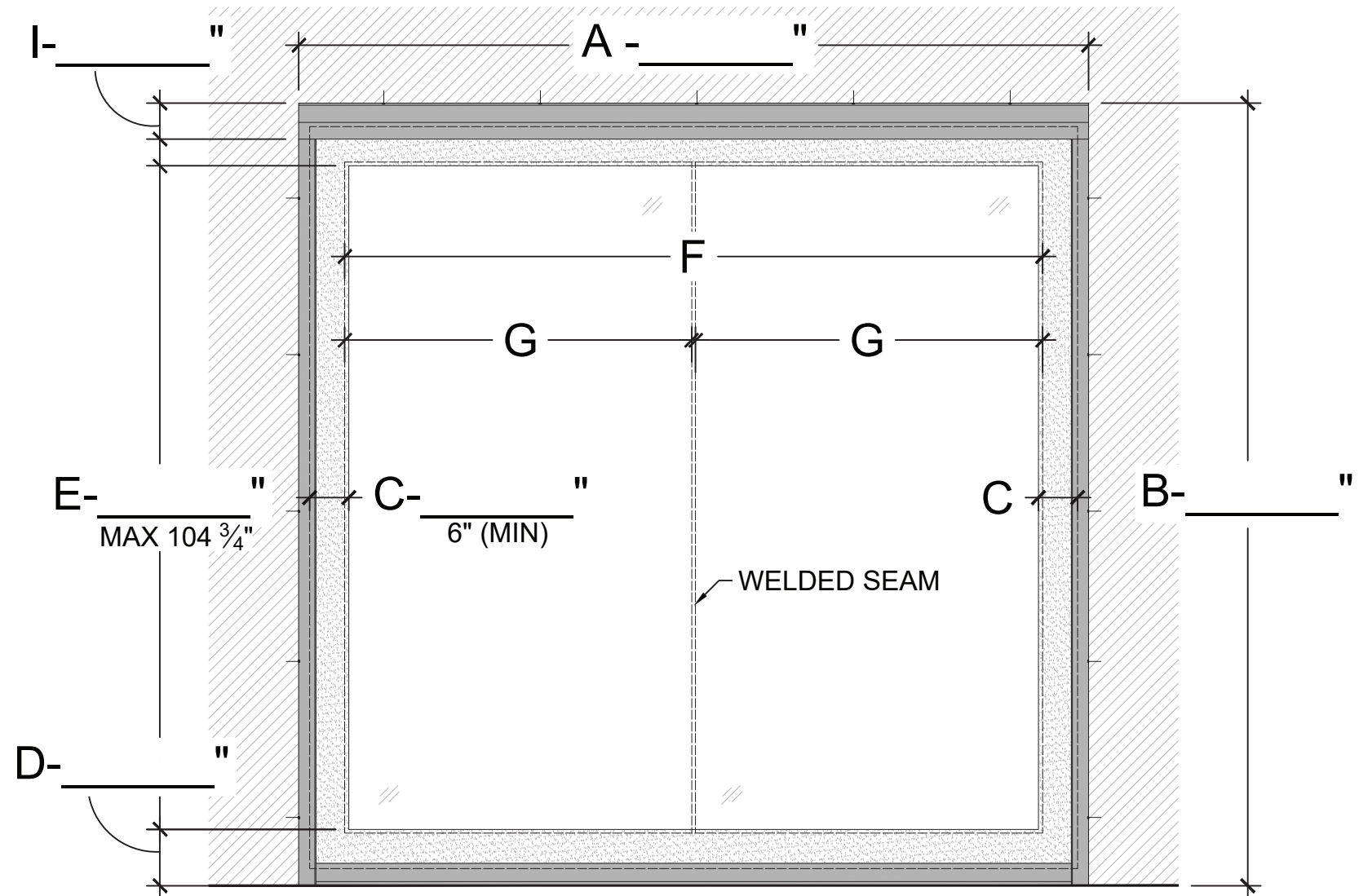
Date: 10/16/19  
 Drawn by: AGL Scale: 1/2" = 1'-0"  
 WHILE EVERY ATTEMPT HAS BEEN MADE IN THE PREPARATION OF THESE DRAWINGS TO AVOID MISTAKE, THE DESIGNER CANNOT GUARANTEE AGAINST HUMAN ERROR. PRIOR TO THE COMMENCEMENT OF ANY WORK, CONTRACTOR/OWNER MUST VERIFY ALL CONDITIONS AND DIMENSIONS AT JOB SITE. THE CONTRACTOR/OWNER SHALL REPORT ALL DISCREPANCIES BETWEEN DRAWINGS AND EXISTING CONDITIONS TO THE DESIGNER PRIOR TO COMMENCING WORK.

# 69" TO 121" - (2 PANELS)

CUSTOMER NAME: \_\_\_\_\_

PO / JOB NAME: \_\_\_\_\_

UNIT #: \_\_\_\_\_



**NOTES**

- OVERALL DIMENSIONS ARE BASED ON 6" (MIN) SPACING BETWEEN CLEAR WINDOWS.
- HOUSING END CAPS OR MOUNTING BRACKETS MUST BE SECURED PROPERLY AS THEY ARE THE LOAD BEARING POINTS OF THE SYSTEM. CENTER OF HOUSING ONLY NEED TO BE SECURED AS DEEMED NECESSARY TO STABILIZE HOUSING COVER.
- NEVER PLACE FASTENERS IN THE MIDDLE OF HOUSING (TOP OR BACK).**

SHOP DIMENSIONS - FOR INTERNAL USE ONLY				
OVERALL SCREEN CUT WIDTH <small>(ADD 1.25" W/ KEDER)</small>	OVERALL SCREEN CUT HEIGHT	SIDE BORDERS <small>(6" MIN)</small>	BOTTOM BORDER	TOP BORDER
HOOD SIZE	NUMBER OF WINDOW PANELS	OVERALL WINDOW WIDTH (F)	WINDOW PANEL CUT WIDTH (G) <small>(MAX 106")</small>	WINDOW PANEL CUT HEIGHT <small>(MAX 52")</small>

Date: 10/16/19

Drawn by: AGL      Scale: 1/2" = 1'-0"

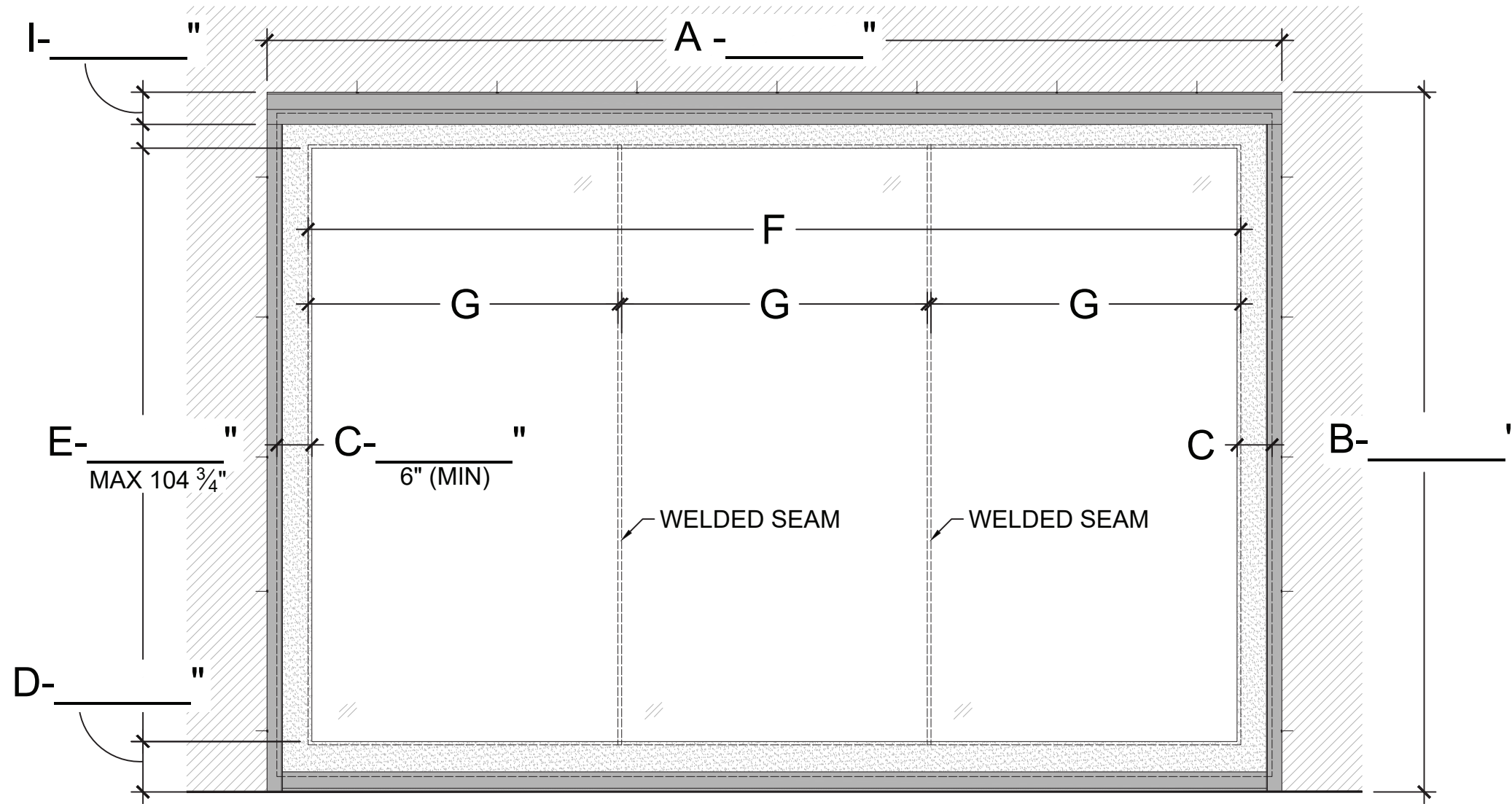
WHILE EVERY ATTEMPT HAS BEEN MADE IN THE PREPARATION OF THESE DRAWINGS TO AVOID MISTAKE, THE DESIGNER CANNOT GUARANTEE AGAINST HUMAN ERROR. PRIOR TO THE COMMENCEMENT OF ANY WORK, CONTRACTOR/OWNER MUST VERIFY ALL CONDITIONS AND DIMENSIONS AT JOB SITE. THE CONTRACTOR/OWNER SHALL REPORT ALL DISCREPANCIES BETWEEN DRAWINGS AND EXISTING CONDITIONS TO THE DESIGNER PRIOR TO COMMENCING WORK.

# 122" TO 174" - (3 PANELS)

CUSTOMER NAME: \_\_\_\_\_

PO / JOB NAME: \_\_\_\_\_

UNIT #: \_\_\_\_\_



**NOTES**

- OVERALL DIMENSIONS ARE BASED ON 6" (MIN) SPACING BETWEEN CLEAR WINDOWS.
- HOUSING END CAPS OR MOUNTING BRACKETS MUST BE SECURED PROPERLY AS THEY ARE THE LOAD BEARING POINTS OF THE SYSTEM. CENTER OF HOUSING ONLY NEED TO BE SECURED AS DEEMED NECESSARY TO STABILIZE HOUSING COVER.
- NEVER PLACE FASTENERS IN THE MIDDLE OF HOUSING (TOP OR BACK).**

SHOP DIMENSIONS - FOR INTERNAL USE ONLY				
OVERALL SCREEN CUT WIDTH (ADD 1.25" W/ KEDER)	OVERALL SCREEN CUT HEIGHT	SIDE BORDERS (6" MIN)	BOTTOM BORDER	TOP BORDER
HOOD SIZE	NUMBER OF WINDOW PANELS	OVERALL WINDOW WIDTH (F)	WINDOW PANEL CUT WIDTH (G) (MAX 106")	WINDOW PANEL CUT HEIGHT (MAX 52")

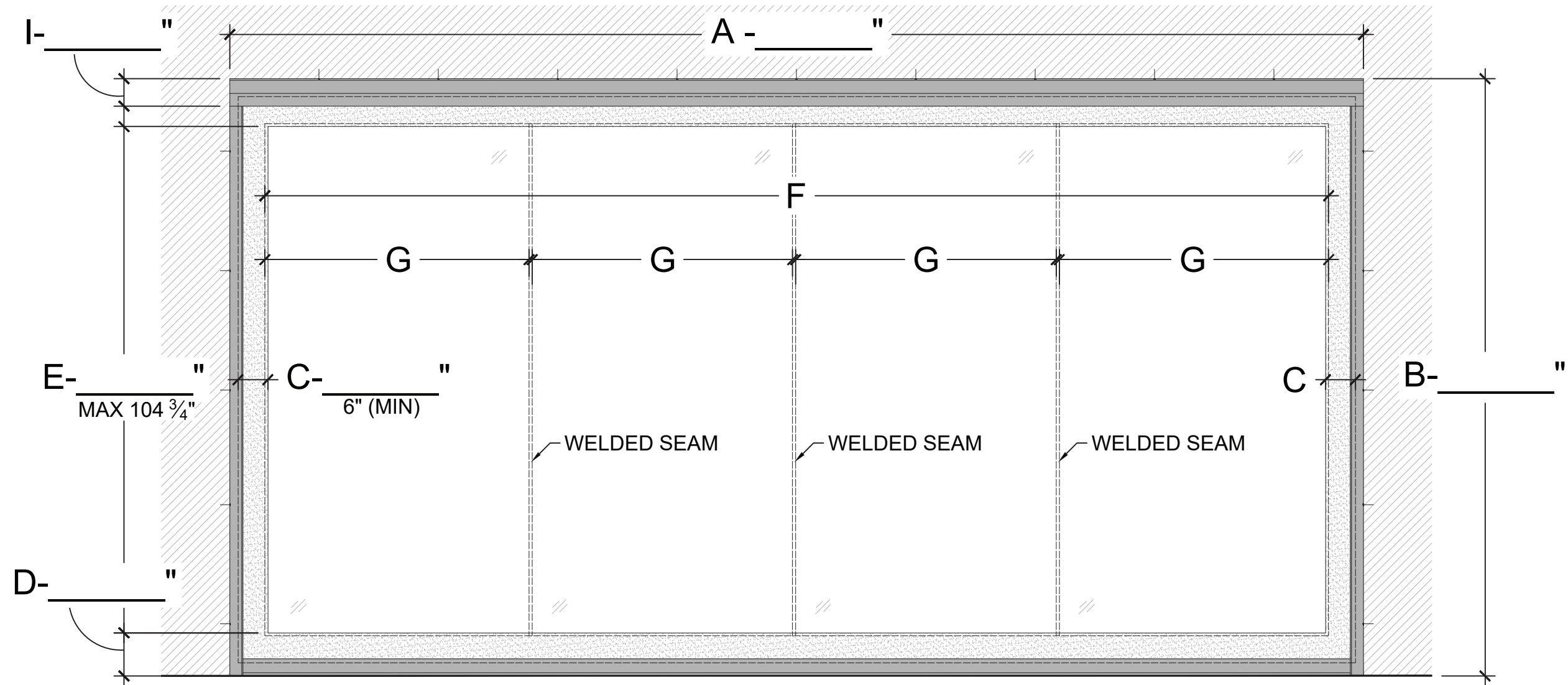
Date: 10/16/19  
 Drawn by: AGL Scale: 1/2" = 1'-0"  
 WHILE EVERY ATTEMPT HAS BEEN MADE IN THE PREPARATION OF THESE DRAWINGS TO AVOID MISTAKE, THE DESIGNER CANNOT GUARANTEE AGAINST HUMAN ERROR. PRIOR TO THE COMMENCEMENT OF ANY WORK, CONTRACTOR/OWNER MUST VERIFY ALL CONDITIONS AND DIMENSIONS AT JOB SITE. THE CONTRACTOR/OWNER SHALL REPORT ALL DISCREPANCIES BETWEEN DRAWINGS AND EXISTING CONDITIONS TO THE DESIGNER PRIOR TO COMMENCING WORK.

# 175" TO 228" - (4 PANELS)

CUSTOMER NAME: \_\_\_\_\_

PO / JOB NAME: \_\_\_\_\_

UNIT #: \_\_\_\_\_



**NOTES**

- OVERALL DIMENSIONS ARE BASED ON 6" (MIN) SPACING BETWEEN CLEAR WINDOWS.
- HOUSING END CAPS OR MOUNTING BRACKETS MUST BE SECURED PROPERLY AS THEY ARE THE LOAD BEARING POINTS OF THE SYSTEM. CENTER OF HOUSING ONLY NEED TO BE SECURED AS DEEMED NECESSARY TO STABILIZE HOUSING COVER.
- NEVER PLACE FASTENERS IN THE MIDDLE OF HOUSING (TOP OR BACK).**

SHOP DIMENSIONS - FOR INTERNAL USE ONLY				
OVERALL SCREEN CUT WIDTH (ADD 1.25" W/ KEDER)	OVERALL SCREEN CUT HEIGHT	SIDE BORDERS (6" MIN)	BOTTOM BORDER	TOP BORDER
HOOD SIZE	NUMBER OF WINDOW PANELS	OVERALL WINDOW WIDTH (F)	WINDOW PANEL CUT WIDTH (G) (MAX 106")	WINDOW PANEL CUT HEIGHT (MAX 52")

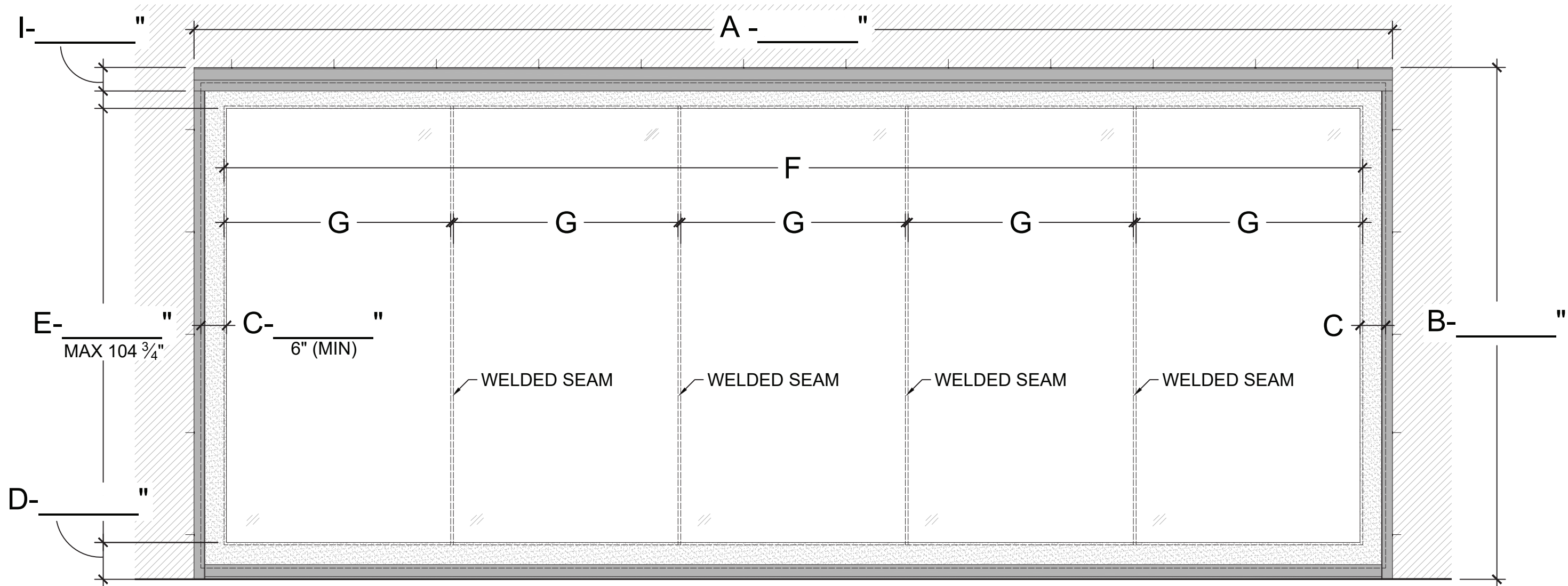
Date: 10/16/19  
 Drawn by: AGL Scale: 1/2" = 1'-0"  
 WHILE EVERY ATTEMPT HAS BEEN MADE IN THE PREPARATION OF THESE DRAWINGS TO AVOID MISTAKE, THE DESIGNER CANNOT GUARANTEE AGAINST HUMAN ERROR. PRIOR TO THE COMMENCEMENT OF ANY WORK, CONTRACTOR/OWNER MUST VERIFY ALL CONDITIONS AND DIMENSIONS AT JOB SITE. THE CONTRACTOR/OWNER SHALL REPORT ALL DISCREPANCIES BETWEEN DRAWINGS AND EXISTING CONDITIONS TO THE DESIGNER PRIOR TO COMMENCING WORK.

# 229" TO 281" - (5 PANELS)

CUSTOMER NAME: \_\_\_\_\_

PO / JOB NAME: \_\_\_\_\_

UNIT #: \_\_\_\_\_



**NOTES**

- OVERALL DIMENSIONS ARE BASED ON 6" (MIN) SPACING BETWEEN CLEAR WINDOWS.
- HOUSING END CAPS OR MOUNTING BRACKETS MUST BE SECURED PROPERLY AS THEY ARE THE LOAD BEARING POINTS OF THE SYSTEM. CENTER OF HOUSING ONLY NEED TO BE SECURED AS DEEMED NECESSARY TO STABILIZE HOUSING COVER.
- NEVER PLACE FASTENERS IN THE MIDDLE OF HOUSING (TOP OR BACK).**

SHOP DIMENSIONS - FOR INTERNAL USE ONLY				
OVERALL SCREEN CUT WIDTH (ADD 1.25" W/ KEDER)	OVERALL SCREEN CUT HEIGHT	SIDE BORDERS (6" MIN)	BOTTOM BORDER	TOP BORDER
HOOD SIZE	NUMBER OF WINDOW PANELS	OVERALL WINDOW WIDTH (F)	WINDOW PANEL CUT WIDTH (G) (MAX 106")	WINDOW PANEL CUT HEIGHT (MAX 52")

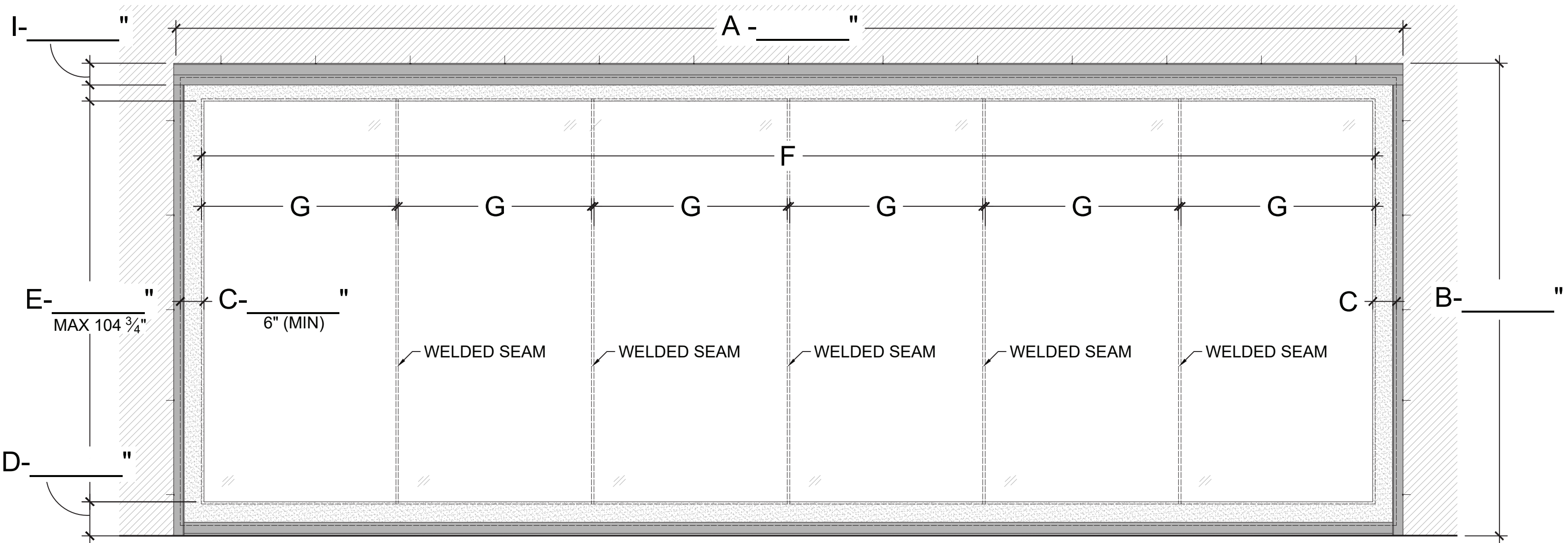
Date: 10/16/19  
 Drawn by: AGL Scale: 1/2" = 1'-0"  
 WHILE EVERY ATTEMPT HAS BEEN MADE IN THE PREPARATION OF THESE DRAWINGS TO AVOID MISTAKE, THE DESIGNER CANNOT GUARANTEE AGAINST HUMAN ERROR. PRIOR TO THE COMMENCEMENT OF ANY WORK, CONTRACTOR/OWNER MUST VERIFY ALL CONDITIONS AND DIMENSIONS AT JOB SITE. THE CONTRACTOR/OWNER SHALL REPORT ALL DISCREPANCIES BETWEEN DRAWINGS AND EXISTING CONDITIONS TO THE DESIGNER PRIOR TO COMMENCING WORK.

# 282" TO 312" - (6 PANELS)

CUSTOMER NAME: \_\_\_\_\_

PO / JOB NAME: \_\_\_\_\_

UNIT #: \_\_\_\_\_



**NOTES**

- OVERALL DIMENSIONS ARE BASED ON 6" (MIN) SPACING BETWEEN CLEAR WINDOWS.
- HOUSING END CAPS OR MOUNTING BRACKETS MUST BE SECURED PROPERLY AS THEY ARE THE LOAD BEARING POINTS OF THE SYSTEM. CENTER OF HOUSING ONLY NEED TO BE SECURED AS DEEMED NECESSARY TO STABILIZE HOUSING COVER.
- NEVER PLACE FASTENERS IN THE MIDDLE OF HOUSING (TOP OR BACK).**

SHOP DIMENSIONS - FOR INTERNAL USE ONLY				
OVERALL SCREEN CUT WIDTH (ADD 1.25" W/ KEDER)	OVERALL SCREEN CUT HEIGHT	SIDE BORDERS (6" MIN)	BOTTOM BORDER	TOP BORDER
HOOD SIZE	NUMBER OF WINDOW PANELS	OVERALL WINDOW WIDTH (F)	WINDOW PANEL CUT WIDTH (G) (MAX 106")	WINDOW PANEL CUT HEIGHT (MAX 52")

Date: 10/16/19

Drawn by: AGL      Scale: 1/2" = 1'-0"

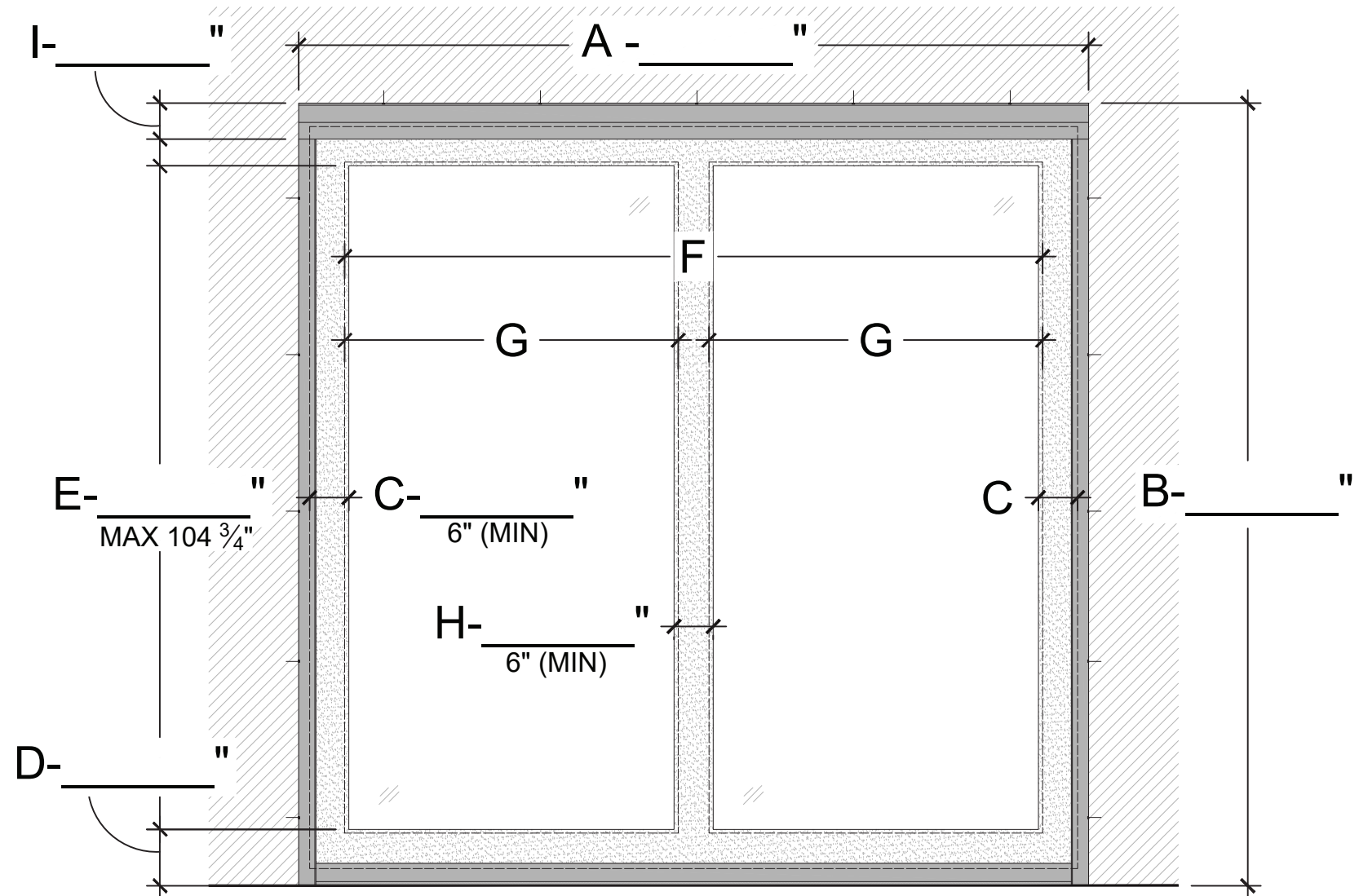
*WHILE EVERY ATTEMPT HAS BEEN MADE IN THE PREPARATION OF THESE DRAWINGS TO AVOID MISTAKE, THE DESIGNER CANNOT GUARANTEE AGAINST HUMAN ERROR. PRIOR TO THE COMMENCEMENT OF ANY WORK, CONTRACTOR/OWNER MUST VERIFY ALL CONDITIONS AND DIMENSIONS AT JOB SITE. THE CONTRACTOR/OWNER SHALL REPORT ALL DISCREPANCIES BETWEEN DRAWINGS AND EXISTING CONDITIONS TO THE DESIGNER PRIOR TO COMMENCING WORK.*

# 36" TO 126" - (2 PANELS W/ DIVIDER)

CUSTOMER NAME: \_\_\_\_\_

PO / JOB NAME: \_\_\_\_\_

UNIT #: \_\_\_\_\_



**NOTES**

1. OVERALL DIMENSIONS ARE BASED ON 6" (MIN) SPACING BETWEEN CLEAR WINDOWS.
2. HOUSING END CAPS OR MOUNTING BRACKETS MUST BE SECURED PROPERLY AS THEY ARE THE LOAD BEARING POINTS OF THE SYSTEM. CENTER OF HOUSING ONLY NEED TO BE SECURED AS DEEMED NECESSARY TO STABILIZE HOUSING COVER.
3. **NEVER PLACE FASTENERS IN THE MIDDLE OF HOUSING (TOP OR BACK).**

SHOP DIMENSIONS - FOR INTERNAL USE ONLY				
OVERALL SCREEN CUT WIDTH (ADD 1.25" W/ KEDER)	OVERALL SCREEN CUT HEIGHT	SIDE BORDERS (6" MIN)	BOTTOM BORDER	TOP BORDER
HOOD SIZE	NUMBER OF WINDOW PANELS	OVERALL WINDOW WIDTH (F)	WINDOW PANEL CUT WIDTH (G) (MAX 106")	WINDOW PANEL CUT HEIGHT (MAX 52")

Date: 10/16/19

Drawn by: AGL      Scale: 1/2" = 1'-0"

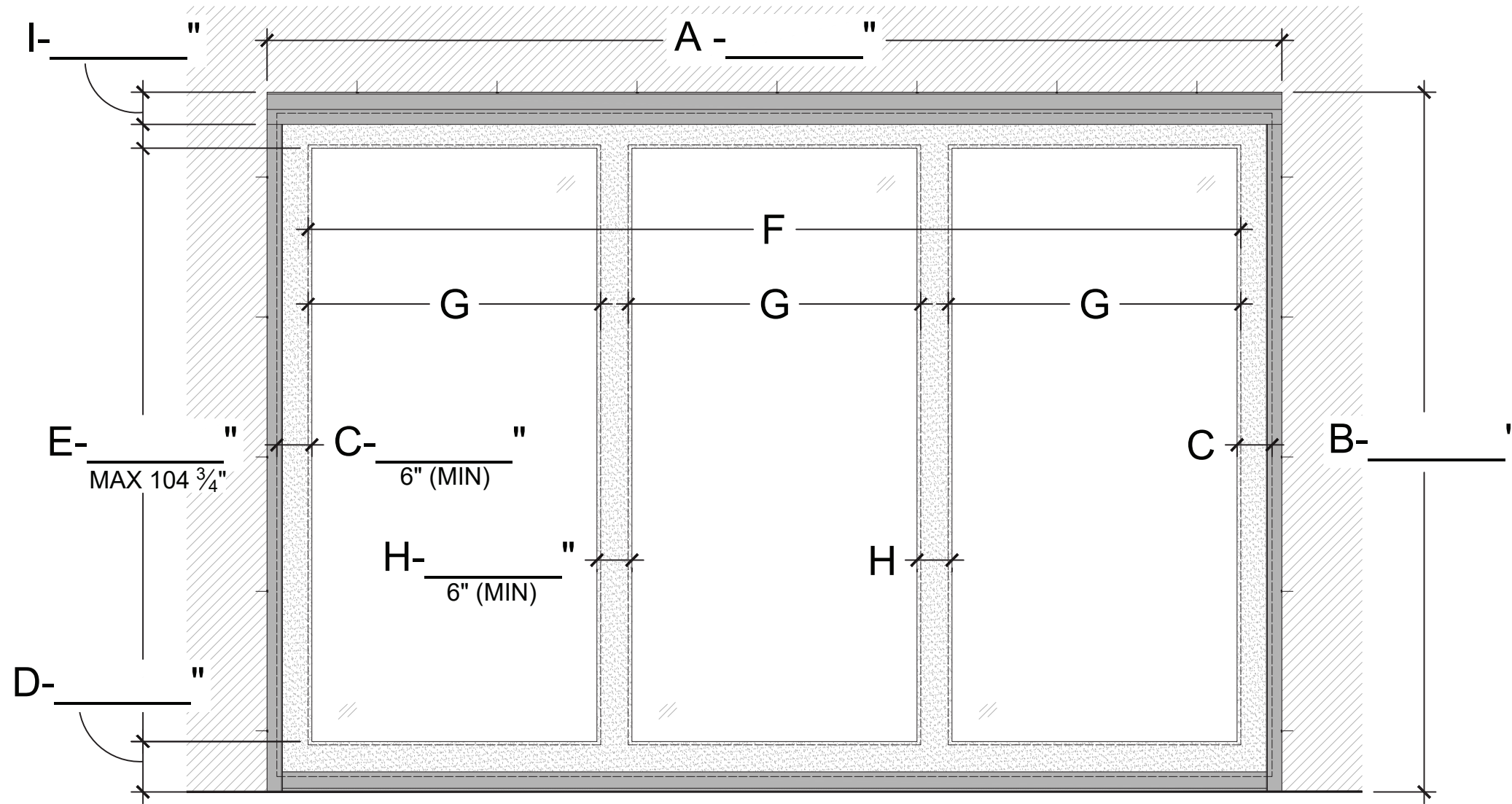
WHILE EVERY ATTEMPT HAS BEEN MADE IN THE PREPARATION OF THESE DRAWINGS TO AVOID MISTAKE, THE DESIGNER CANNOT GUARANTEE AGAINST HUMAN ERROR. PRIOR TO THE COMMENCEMENT OF ANY WORK, CONTRACTOR/OWNER MUST VERIFY ALL CONDITIONS AND DIMENSIONS AT JOB SITE. THE CONTRACTOR/OWNER SHALL REPORT ALL DISCREPANCIES BETWEEN DRAWINGS AND EXISTING CONDITIONS TO THE DESIGNER PRIOR TO COMMENCING WORK.

# 127" TO 185" - (3 PANELS W/ DIVIDERS)

CUSTOMER NAME: \_\_\_\_\_

PO / JOB NAME: \_\_\_\_\_

UNIT #: \_\_\_\_\_



**NOTES**

- OVERALL DIMENSIONS ARE BASED ON 6" (MIN) SPACING BETWEEN CLEAR WINDOWS.
- HOUSING END CAPS OR MOUNTING BRACKETS MUST BE SECURED PROPERLY AS THEY ARE THE LOAD BEARING POINTS OF THE SYSTEM. CENTER OF HOUSING ONLY NEED TO BE SECURED AS DEEMED NECESSARY TO STABILIZE HOUSING COVER.
- NEVER PLACE FASTENERS IN THE MIDDLE OF HOUSING (TOP OR BACK).**

SHOP DIMENSIONS - FOR INTERNAL USE ONLY				
OVERALL SCREEN CUT WIDTH <small>(ADD 1.25" W/ KEDER)</small>	OVERALL SCREEN CUT HEIGHT	SIDE BORDERS <small>(6" MIN)</small>	BOTTOM BORDER	TOP BORDER
HOOD SIZE	NUMBER OF WINDOW PANELS	OVERALL WINDOW WIDTH (F)	WINDOW PANEL CUT WIDTH (G) <small>(MAX 106")</small>	WINDOW PANEL CUT HEIGHT <small>(MAX 52")</small>

Date: 10/16/19

Drawn by: AGL      Scale: 1/2" = 1'-0"

WHILE EVERY ATTEMPT HAS BEEN MADE IN THE PREPARATION OF THESE DRAWINGS TO AVOID MISTAKE, THE DESIGNER CANNOT GUARANTEE AGAINST HUMAN ERROR. PRIOR TO THE COMMENCEMENT OF ANY WORK, CONTRACTOR/OWNER MUST VERIFY ALL CONDITIONS AND DIMENSIONS AT JOB SITE. THE CONTRACTOR/OWNER SHALL REPORT ALL DISCREPANCIES BETWEEN DRAWINGS AND EXISTING CONDITIONS TO THE DESIGNER PRIOR TO COMMENCING WORK.

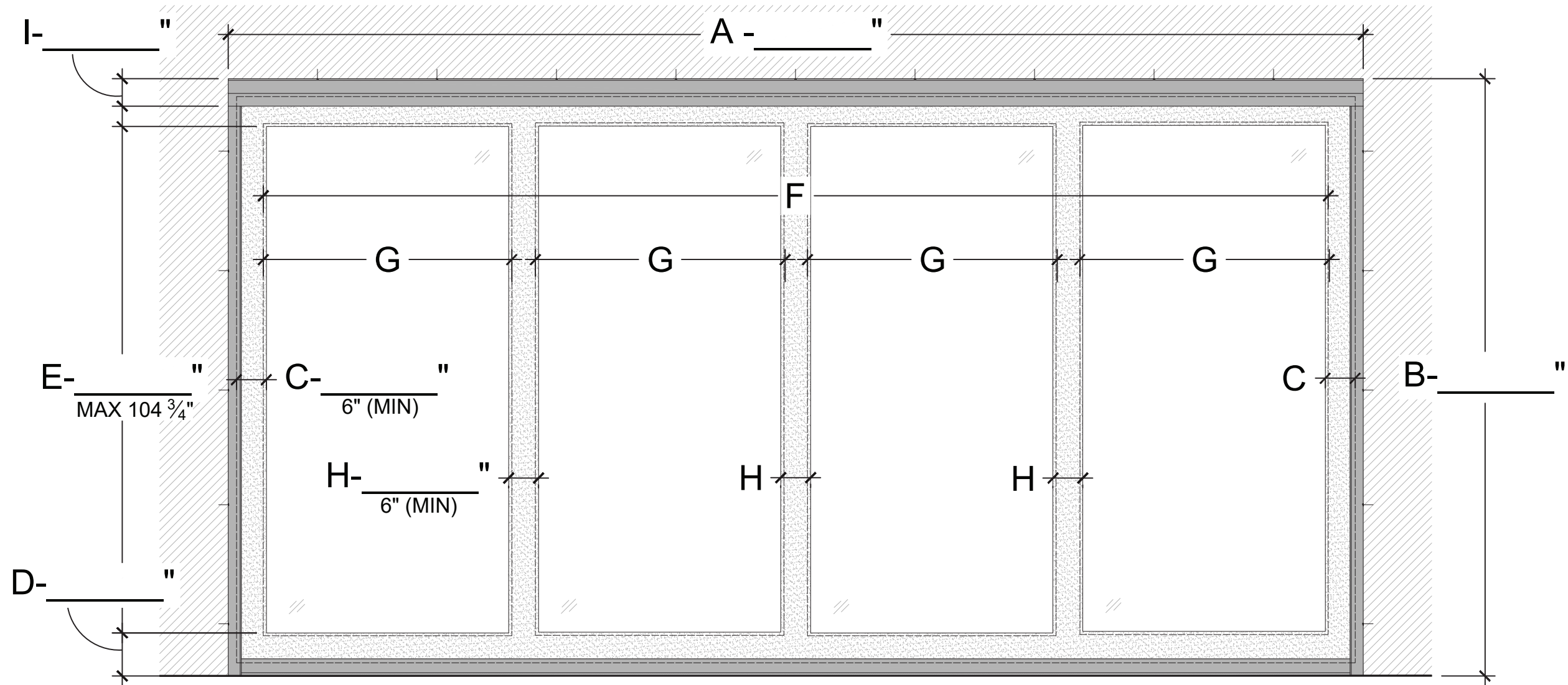


# 186" TO 244" - (4 PANELS W/ DIVIDERS)

CUSTOMER NAME: \_\_\_\_\_

PO / JOB NAME: \_\_\_\_\_

UNIT #: \_\_\_\_\_



**NOTES**

- OVERALL DIMENSIONS ARE BASED ON 6" (MIN) SPACING BETWEEN CLEAR WINDOWS.
- HOUSING END CAPS OR MOUNTING BRACKETS MUST BE SECURED PROPERLY AS THEY ARE THE LOAD BEARING POINTS OF THE SYSTEM. CENTER OF HOUSING ONLY NEED TO BE SECURED AS DEEMED NECESSARY TO STABILIZE HOUSING COVER.
- NEVER PLACE FASTENERS IN THE MIDDLE OF HOUSING (TOP OR BACK).**

SHOP DIMENSIONS - FOR INTERNAL USE ONLY				
OVERALL SCREEN CUT WIDTH (ADD 1.25" W/ KEDER)	OVERALL SCREEN CUT HEIGHT	SIDE BORDERS (6" MIN)	BOTTOM BORDER	TOP BORDER
HOOD SIZE	NUMBER OF WINDOW PANELS	OVERALL WINDOW WIDTH (F)	WINDOW PANEL CUT WIDTH (G) (MAX 106")	WINDOW PANEL CUT HEIGHT (MAX 52")

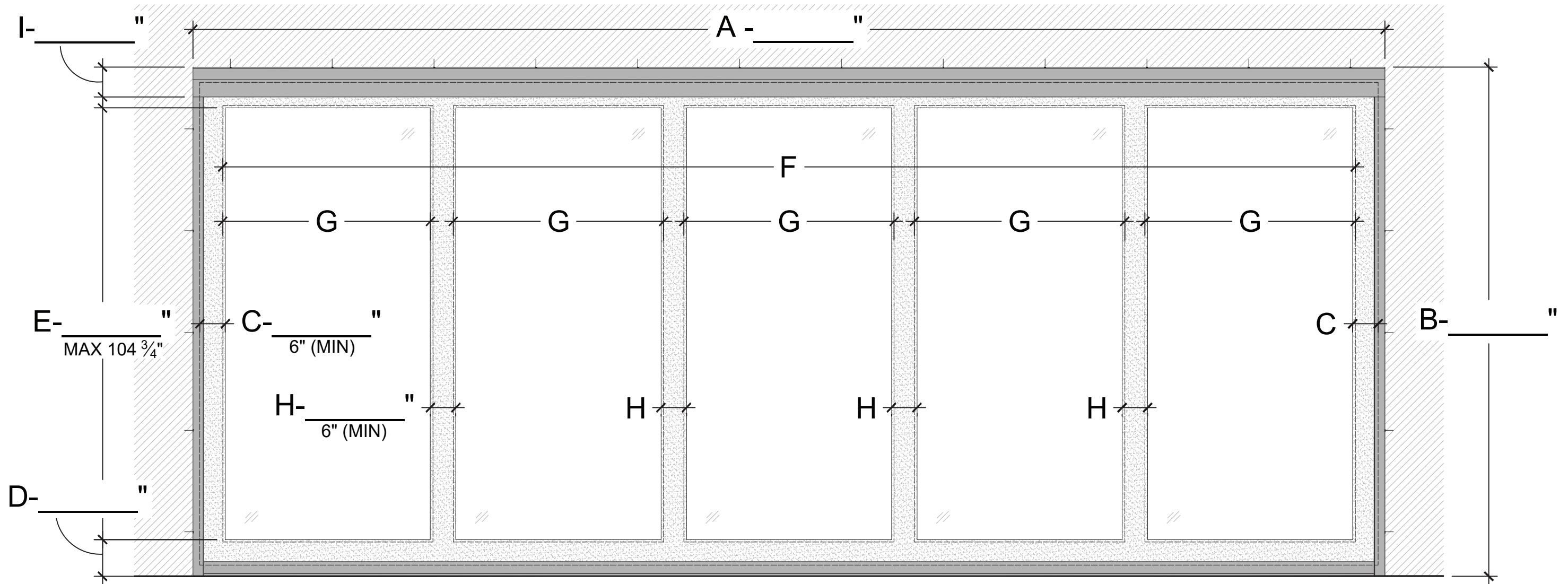
Date: 10/16/19  
 Drawn by: AGL Scale: 1/2" = 1'-0"  
 WHILE EVERY ATTEMPT HAS BEEN MADE IN THE PREPARATION OF THESE DRAWINGS TO AVOID MISTAKE, THE DESIGNER CANNOT GUARANTEE AGAINST HUMAN ERROR. PRIOR TO THE COMMENCEMENT OF ANY WORK, CONTRACTOR/OWNER MUST VERIFY ALL CONDITIONS AND DIMENSIONS AT JOB SITE. THE CONTRACTOR/OWNER SHALL REPORT ALL DISCREPANCIES BETWEEN DRAWINGS AND EXISTING CONDITIONS TO THE DESIGNER PRIOR TO COMMENCING WORK.

# 245" TO 303" - (5 PANELS W/ DIVIDERS)

CUSTOMER NAME: \_\_\_\_\_

PO / JOB NAME: \_\_\_\_\_

UNIT #: \_\_\_\_\_



**NOTES**

- OVERALL DIMENSIONS ARE BASED ON 6" (MIN) SPACING BETWEEN CLEAR WINDOWS.
- HOUSING END CAPS OR MOUNTING BRACKETS MUST BE SECURED PROPERLY AS THEY ARE THE LOAD BEARING POINTS OF THE SYSTEM. CENTER OF HOUSING ONLY NEED TO BE SECURED AS DEEMED NECESSARY TO STABILIZE HOUSING COVER.
- NEVER PLACE FASTENERS IN THE MIDDLE OF HOUSING (TOP OR BACK).**

SHOP DIMENSIONS - FOR INTERNAL USE ONLY				
OVERALL SCREEN CUT WIDTH (ADD 1.25" W/ KEDER)	OVERALL SCREEN CUT HEIGHT	SIDE BORDERS (6" MIN)	BOTTOM BORDER	TOP BORDER
HOOD SIZE	NUMBER OF WINDOW PANELS	OVERALL WINDOW WIDTH (F)	WINDOW PANEL CUT WIDTH (G) (MAX 106")	WINDOW PANEL CUT HEIGHT (MAX 52")

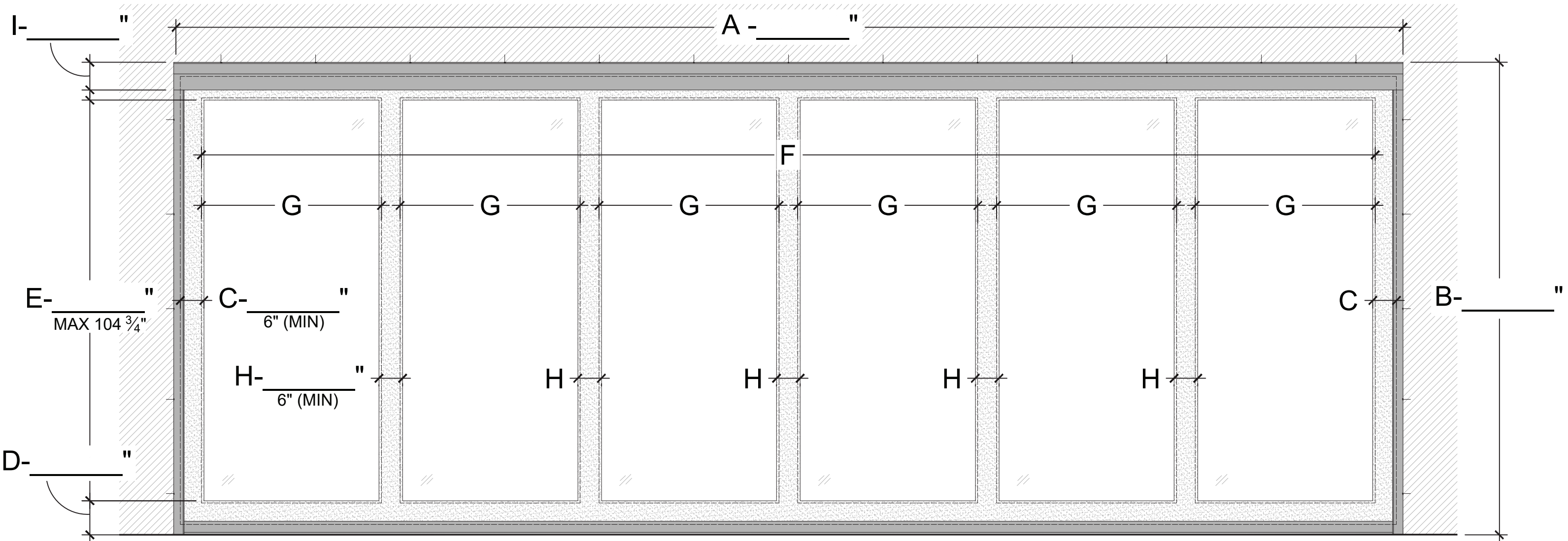
Date: 10/16/19  
 Drawn by: AGL Scale: 1/2" = 1'-0"  
 WHILE EVERY ATTEMPT HAS BEEN MADE IN THE PREPARATION OF THESE DRAWINGS TO AVOID MISTAKE, THE DESIGNER CANNOT GUARANTEE AGAINST HUMAN ERROR. PRIOR TO THE COMMENCEMENT OF ANY WORK, CONTRACTOR/OWNER MUST VERIFY ALL CONDITIONS AND DIMENSIONS AT JOB SITE. THE CONTRACTOR/OWNER SHALL REPORT ALL DISCREPANCIES BETWEEN DRAWINGS AND EXISTING CONDITIONS TO THE DESIGNER PRIOR TO COMMENCING WORK.

# 304" TO 312" - (6 PANELS W/ DIVIDERS)

CUSTOMER NAME: \_\_\_\_\_

PO / JOB NAME: \_\_\_\_\_

UNIT #: \_\_\_\_\_



**NOTES**

- OVERALL DIMENSIONS ARE BASED ON 6" (MIN) SPACING BETWEEN CLEAR WINDOWS.
- HOUSING END CAPS OR MOUNTING BRACKETS MUST BE SECURED PROPERLY AS THEY ARE THE LOAD BEARING POINTS OF THE SYSTEM. CENTER OF HOUSING ONLY NEED TO BE SECURED AS DEEMED NECESSARY TO STABILIZE HOUSING COVER.
- NEVER PLACE FASTENERS IN THE MIDDLE OF HOUSING (TOP OR BACK).**

SHOP DIMENSIONS - FOR INTERNAL USE ONLY				
OVERALL SCREEN CUT WIDTH (ADD 1.25" W/ KEDER)	OVERALL SCREEN CUT HEIGHT	SIDE BORDERS (6" MIN)	BOTTOM BORDER	TOP BORDER
HOOD SIZE	NUMBER OF WINDOW PANELS	OVERALL WINDOW WIDTH (F)	WINDOW PANEL CUT WIDTH (G) (MAX 106")	WINDOW PANEL CUT HEIGHT (MAX 52")

Date: 10/16/19  
 Drawn by: AGL Scale: 1/2" = 1'-0"  
 WHILE EVERY ATTEMPT HAS BEEN MADE IN THE PREPARATION OF THESE DRAWINGS TO AVOID MISTAKE, THE DESIGNER CANNOT GUARANTEE AGAINST HUMAN ERROR. PRIOR TO THE COMMENCEMENT OF ANY WORK, CONTRACTOR/OWNER MUST VERIFY ALL CONDITIONS AND DIMENSIONS AT JOB SITE. THE CONTRACTOR/OWNER SHALL REPORT ALL DISCREPANCIES BETWEEN DRAWINGS AND EXISTING CONDITIONS TO THE DESIGNER PRIOR TO COMMENCING WORK.