

Architect Binder

Residential



STRUXURE™
OUTDOOR

ABOUT US / 02

THE COMPLETE STRUXURE OUTDOOR SYSTEM / 10

IN ITS SIMPLEST FORM **BASIC COMPONENTS** / 10

BASIC COMPONENTS *POST *POST BASES & BRACKET BASIC / 12

COMPONENTS *BEAMS & CONNECTIONS / 14

BASIC COMPONENTS *GUTTERS / 16

BASIC COMPONENTS *LOUVER *PIVOT & TRACK BAR BASIC / 18

COMPONENTS * ADDITIONAL HARDWARE / 20

BASIC COMPONENTS *OPERATION OPTIONS **ACCESSORIES** / 23

LIGHTING AND FANS / 24

CORBELS / 25

CORNICE TRIM / 25

MOTOR CONTROL SENSORS, AUTOMATION APP / 26

COLOR OPTIONS / 26

MATERIAL & PROTECTIVE COATING / 28

HOW IT ALL FITS TOGETHER / 32

POST BRACKET TO FOOTER * POST TO POST BRACKET POST / 34

EMBEDDED INTO FOOTER / 40

PERIMETER BEAMS TO POST / 42

PERIMETER BEAM CORNER / 44

PERIMETER BEAM TO INTERIOR BEAM & PERIMETER BEAM TO / 46

DBL INTERIOR BEAM / 48

BEAM TO GUTTER / CORNER / 48

BEAM TO GUTTER / PASS THROUGH / 50

CAN LIGHT TRACK / 52

FAN BEAM / 54

PIVOT LOUVERS / 56

CORBELS / 58

PERIMETER BEAM TO HOST STRUCTURE *WOODEN BEAM* / 60

PERIMETER BEAM TO HOST STRUCTURE *BRICK WALL* / 62

PERIMETER BEAM TO HOST STRUCTURE *FASCIA* PERIMETER / 64

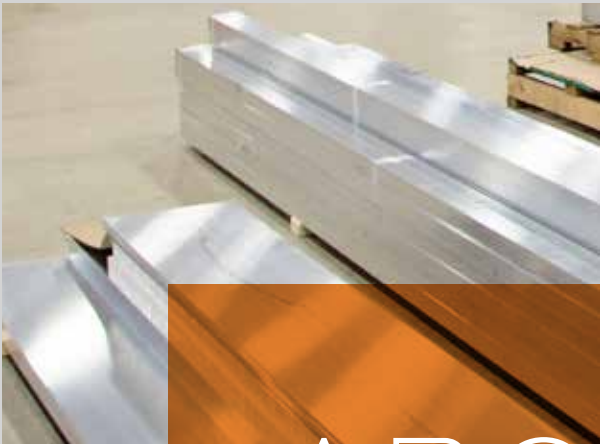
BEAM TO HOST STRUCTURE *ROOF* / 66

/ 68





We specialize in bringing the indoors out and changing the way people live through design and innovation.



ABOUT US

STRUXURE
OUTDOOR





INNOVATORS OF THE MODERN-DAY LOUVERED ROOF

"WE SPECIALIZE IN BRINGING THE INDOORS OUT AND CHANGING THE WAY PEOPLE LIVE THROUGH DESIGN AND INNOVATION EVERYDAY"



StruXure Outdoor Inc. was founded in 2011 by CEO and Chief Product Architect, Scott Selzer. As a former middle school teacher with a part-time remodeling company, Scott specialized in building decks, pergolas, basements and other home improvements projects. Inspired by his students to follow his dream to become a full-time entrepreneur, Scott started Adjustable Patio Covers, a company specializing in outdoor spaces.

With a large demand for patio covers that would allow shelter from inclement weather conditions while receiving maximum airflow, Scott began distributing Louvered Structures, an adjustable cover originating from Australia. As the first company to bring this product to the east coast, popularity grew around the louvered roofs and Scott quickly found ways to re-design, innovate and patent a higher quality version of the product to provide to his local customer base, The StruXure Outdoor System.



Engineered and designed to withstand all types of weather conditions, the StruXure Pivot was the new company's first offering in 2011. Since then, StruXure Outdoor has become one of the fastest growing privately held companies in the United States. This growth led us to move into a new state-of-the-art manufacturing facility and corporate headquarters in North Georgia. We expanded our operations from the Southern California office and manufacturing facility to a larger West Coast manufacturing facility, located in Nevada, Fall of 2017. We opened additional distribution facilities to keep up with our growing national dealer network. With StruXure Outdoor dealers from Canada to the Caribbean, we are poised and ready to lead the way to more innovative outdoor living across North America.

In addition to being a smart louvered roof manufacturer, we also specialize in technology and design with a focus on architectural innovation. Our 'smart roofs' continue to evolve and provide an adjustable atmosphere for your outdoor living needs. We strive to continue updating our products and really changing the way people enjoy the great outdoors throughout the entire year.

GROWTH

As with any company or product, the proof is in the pudding, and StruXure Outdoor is no different. We have experienced incredible growth as people discover what a louvered structure is, and how the StruXure Outdoor system can change their lifestyle. We often see jaws drop when they see an StruXure Outdoor system for the first time. We were recently awarded a spot on the Inc 5000 fastest growing companies.

MISSION

We want to help homeowners enjoy their corner of the world and businesses profit from the addition of dependable spaces for their customers, while still allowing them to enjoy the outdoors. StruXure Outdoor strives to help Architects and Designers create amazing natural spaces and Dealers and Builders the ability to provide something their customers will love.





Designed, Fabricated & Assembled by American Craftsmen

TO YOUR EXACT SPECIFICATIONS

StruXure Outdoor luxury systems are manufactured entirely in the U.S. by American workers who take great pride in what they do. Our team of people really care and are passionate about building the best system made — and that dedication shows in the beauty and quality of all our products.

Each StruXure Outdoor system is engineered to exceed all standards and expectations. They're designed to meet Florida's stringent hurricane codes, as well as withstand heavy snow loads in the cold of winter. Plus, each StruXure Outdoor system is fabricated and powder coated to order, made to exact specifications, which makes for a better fit and finish and a cleaner looking system.

Ideal for any outdoor living areas, such as patios, decks, lanais, verandas, entryways, courtyards, outdoor kitchens, swimming pools and spas. It's a perfect enhancement for patron comfort at Country clubs, restaurants, hotels, resorts, theme parks and sports venues. Select from a variety of available colors, materials and finishes to complement any architectural style and conform to your aesthetics.

Learn more about our
craftsmanship at StruXure.com





Pivot

The original StruXure Outdoor system has been improved and perfected since its inception in 2011. Its award-winning pivot design gives a full 135° range of motion to provide a cool oasis, regardless of the sun's position. Now available with StruXure's myLink™ technology, the Pivot can intuitively control the effects of the weather to enhance your outdoor lifestyle.

CLOSED

When closed, the patented louver design interlocks, providing a solid shelter from rain. Water is pitched into the system's 360° integrated gutter.

ANGLED IN

Shaded space provides protection from the harmful effects of the sun. The Pivot provides SPF protection and allows you to spend more time outdoors without added sun exposure.

OPENED

Allow maximum light into your space with the louvers fully opened. Minimizes resistance and uplift in high winds.

ANGLED OUT

Angled louvers provide cool shade and air flow without blocking your blue sky view.

Pivot to create shade or shelter from the elements.



THE AWARD-WINNING PIVOT DESIGN IS CHANGING HOW WE LIVE OUTDOORS, WITH A FULL 135° RANGE OF MOTION.





Basic Components

The Complete StruXure Outdoor System In Its Simplest Form

THE CONCEPT

The louvers open to allow sunlight in, and close to provide shade and shelter. Water is directed from the louvers to gutters, and down through downspouts either independent or incorporated into columns. While it seems simple, there are a lot of pieces that have to come together seamlessly to make it all work perfectly. In this section, you can see a complete StruXure Outdoor system in its simplest form, with the basic components or building blocks that make it work.



BASIC COMPONENTS

- 1 Post *Post Bases & Bracket
- 2 Beams & Connectors
- 3 Gutters
- 4 Louver *Pivot & track bar
- 5 Additional Hardware
- 6 Operation Options

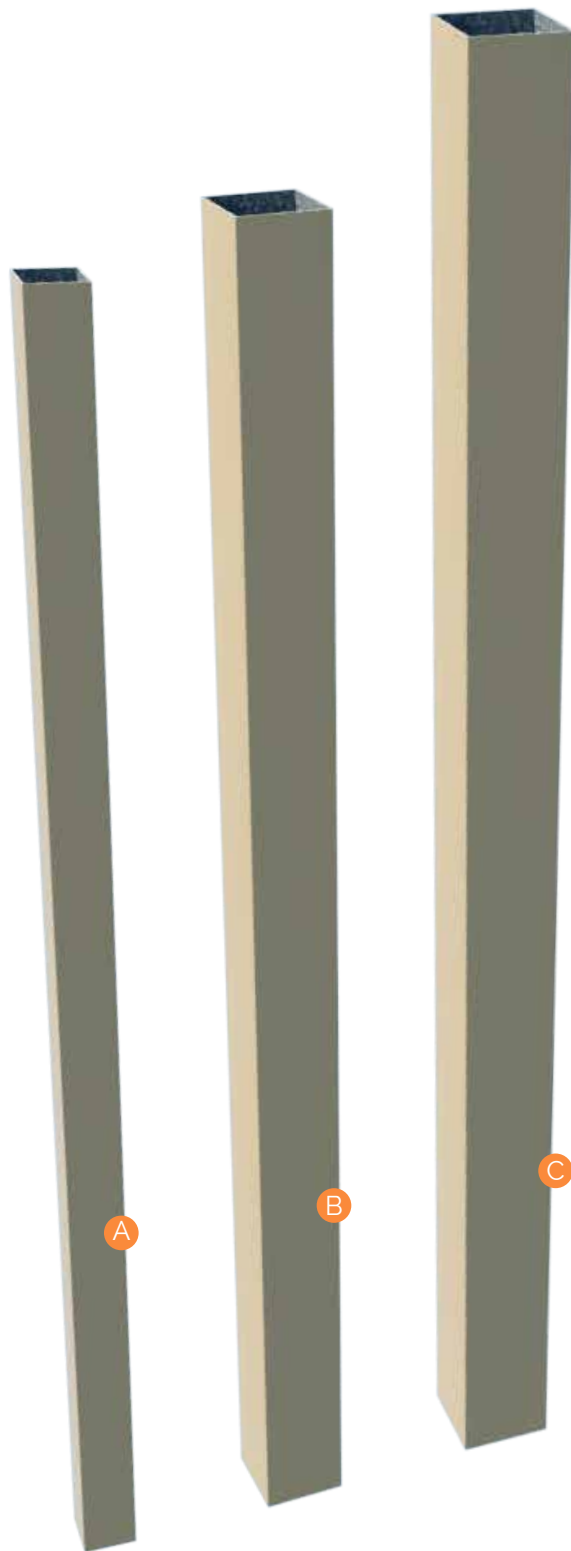


Basic Components

/ POST / POST BASES & BRACKET

POST

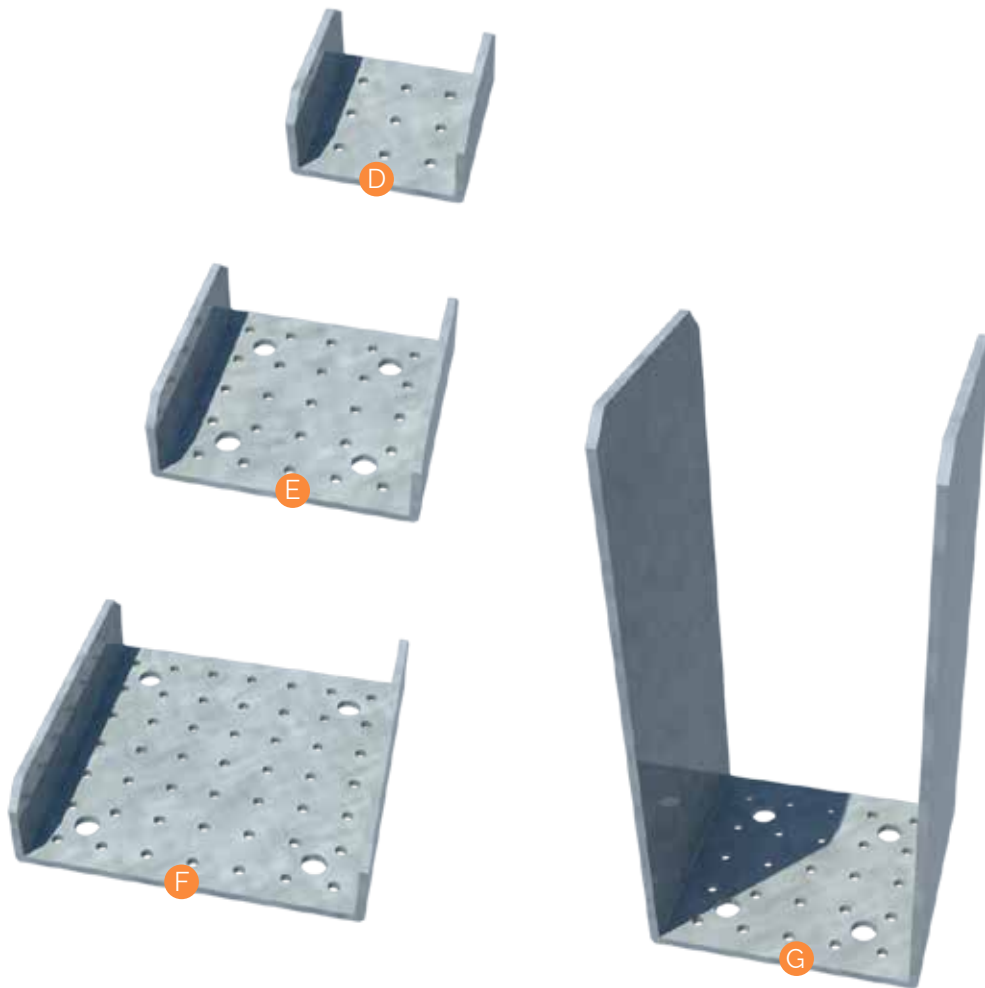
- A** Column 4" x 4" x .125"
Column 4" x 4" x .250"
- B** Column 6" x 6" x .125"
Column 6" x 6" x .250"
- C** Column 8" x 8" x .250"





POST BASES & BRACKET

- D** Post Bracket 4" x 4"
- E** Post Bracket 6" x 6"
- F** Post Bracket 8" x 8"
- G** Post Base Bracket 6" x 6" and 8" x 8"



Basic Components

/ BEAMS / CONNECTORS

BEAMS

STANDARD SIZE

H 2" x 8" x .125"

I 2" x 10" x .125"

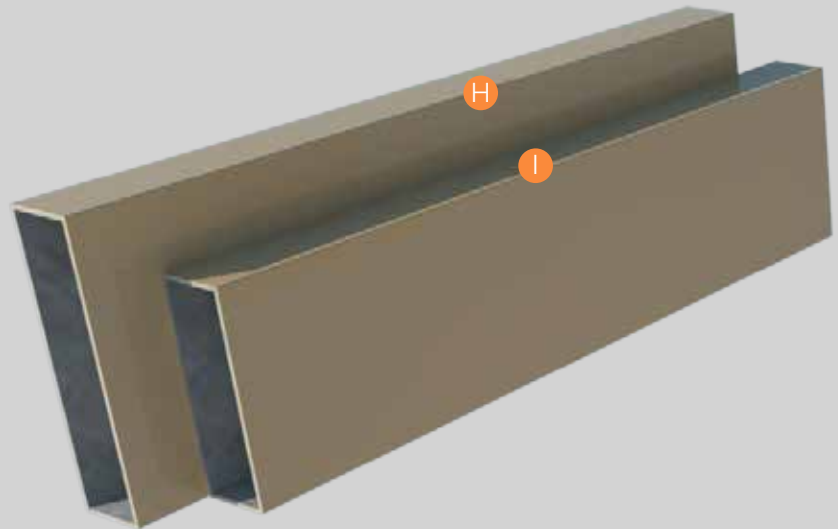
ADDITIONAL BEAM SIZES AVAILABLE

J 6" x 10"

K 4" x 10"

L 6" x 8"

M 4" x 8"



CONNECTORS

BEAM TO POST CONNECTOR:

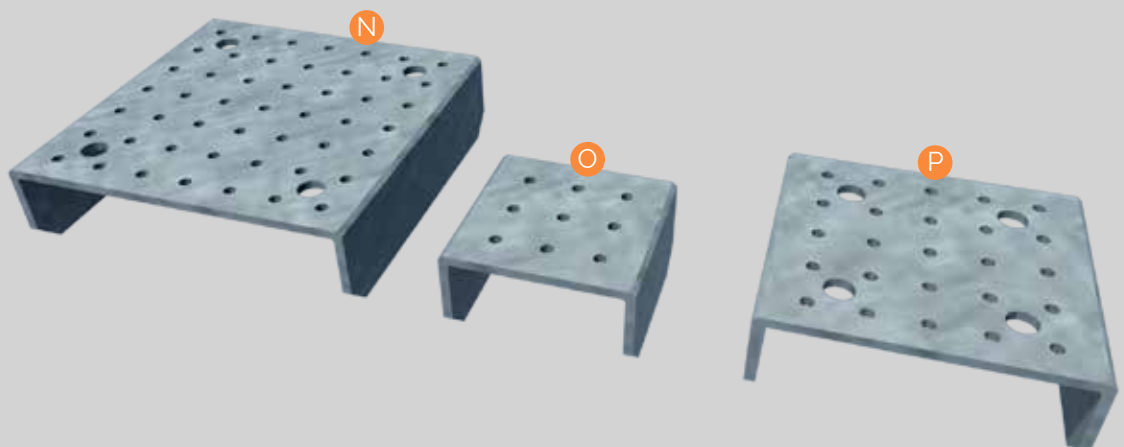
N Post Bracket 8" x 8"

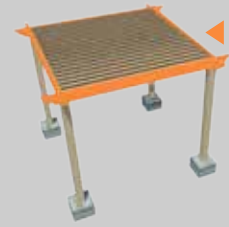
O Post Bracket 4" x 4"

P Post Bracket 6" x 6"

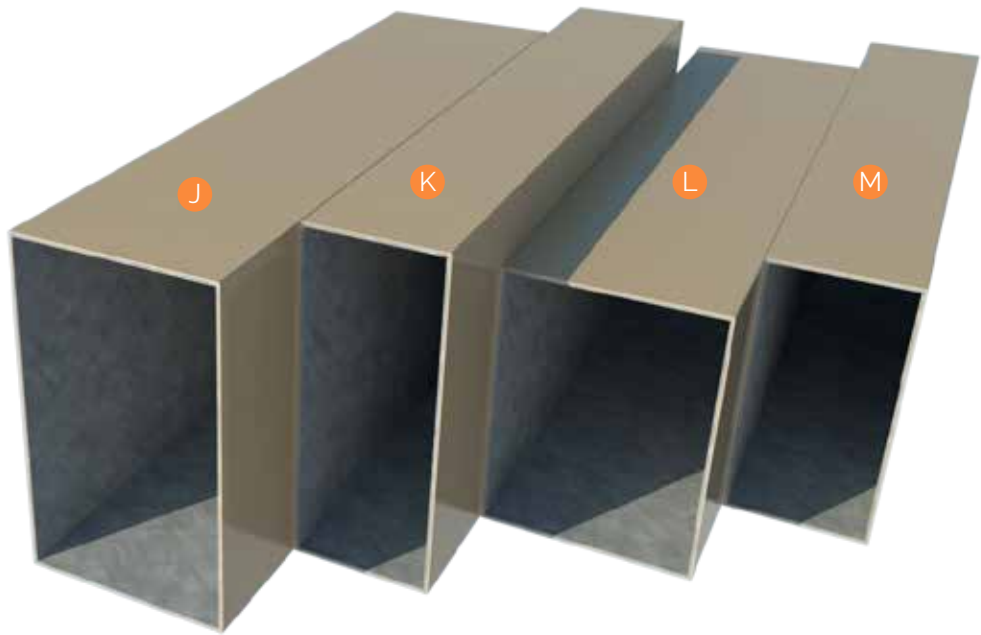
Q Beam Corner Connector

R U-Channel Connector





◀ NAVIGATION

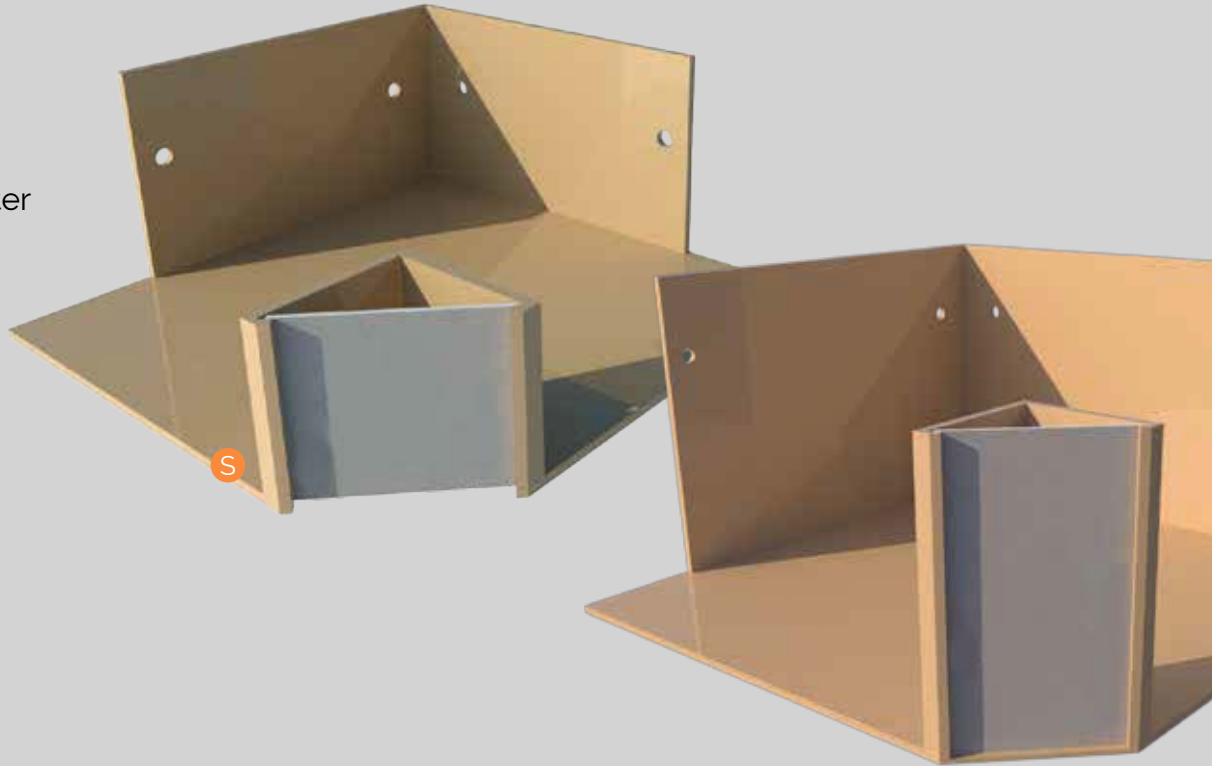


Basic Components

/ GUTTERS

GUTTERS

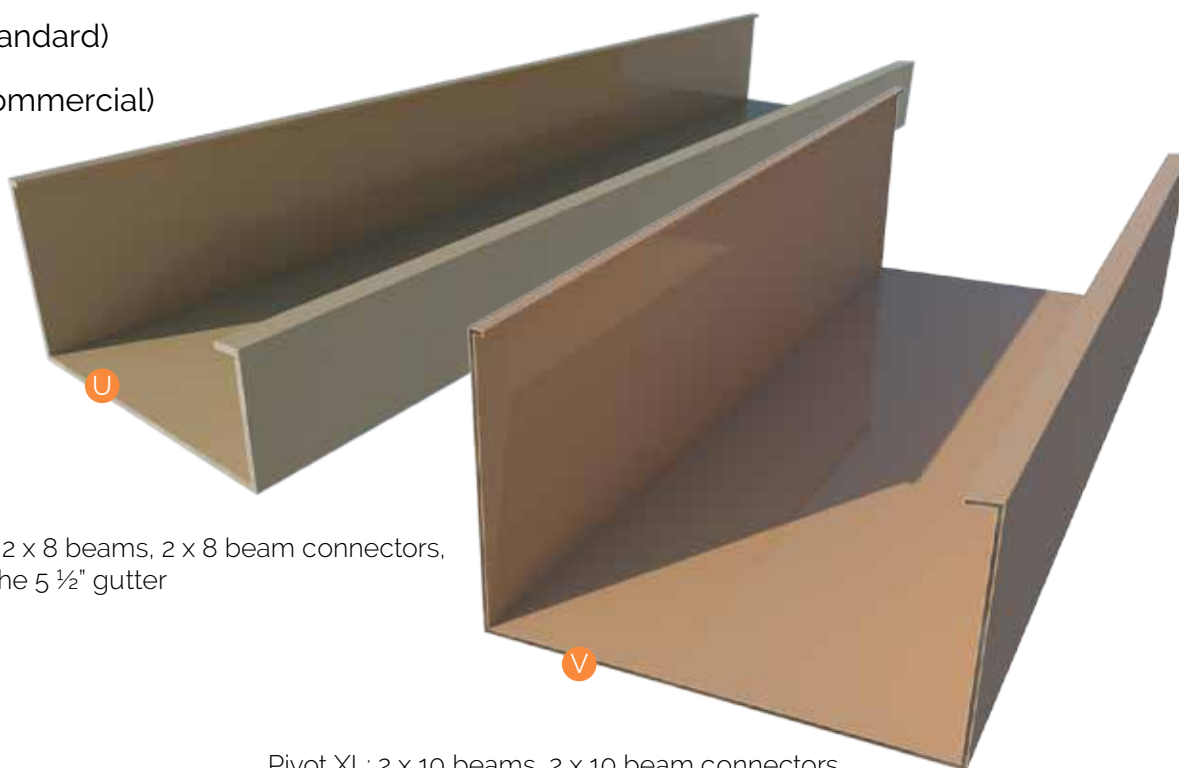
- S** Corner Gutter
- T** Pass Through Gutter





GUTTERS

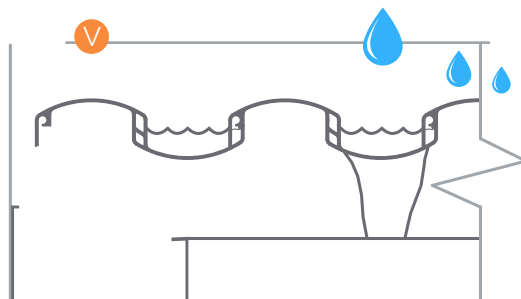
- U Gutter (Standard)
- V Gutter (Commercial)



Pivot: 2 x 8 beams, 2 x 8 beam connectors, with the 5 1/2" gutter

Pivot XL: 2 x 10 beams, 2 x 10 beam connectors, with the 7 1/2" gutter

Commercial Gutter has three (3) times greater rain water capacity than StruXure's existing industry leading Standard Gutter

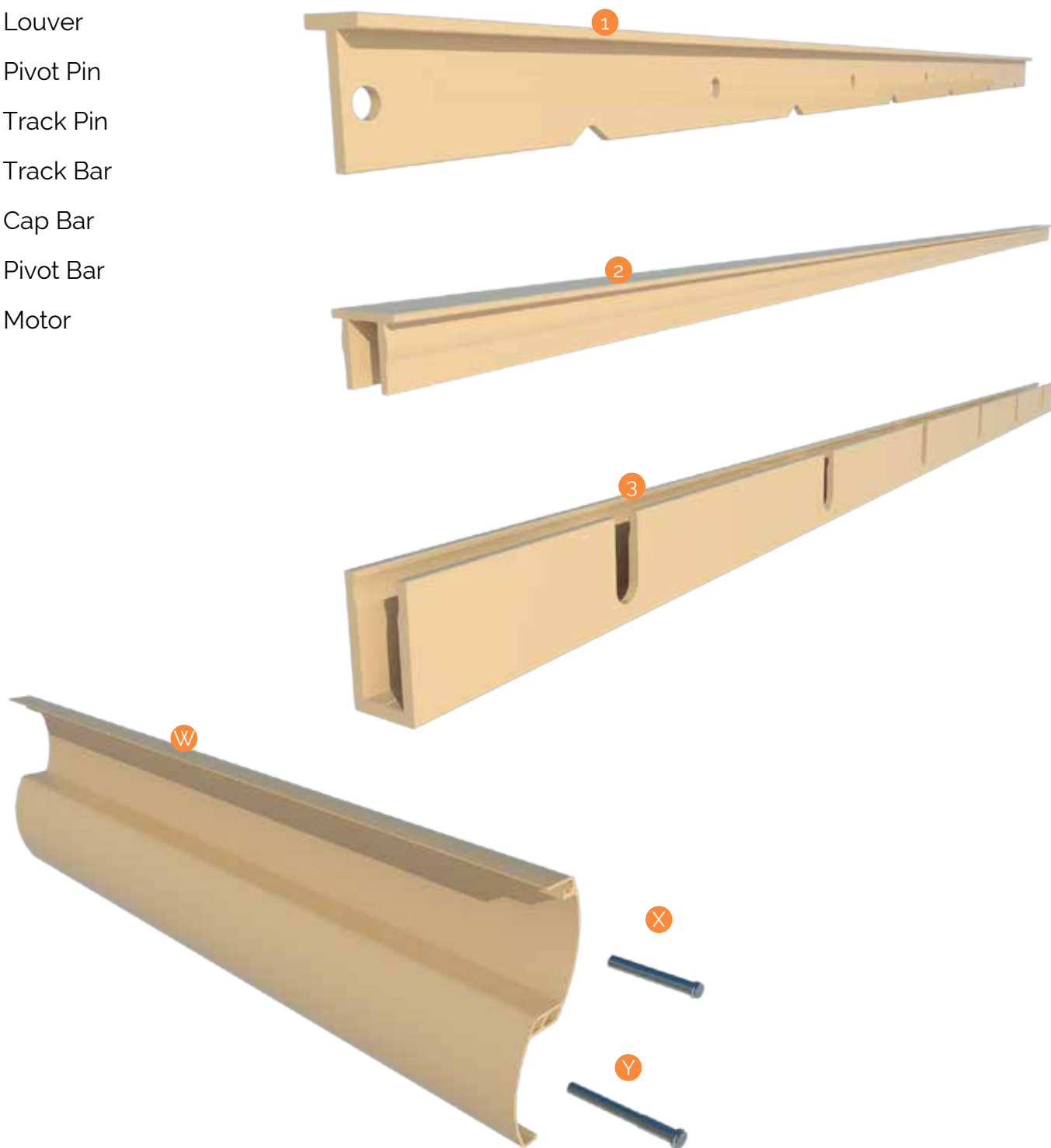


The unique louver profile allows the louvers to interlock, creating the largest rain channels in the industry. Thus, allowing for more water to flow freely into our 360 degree integrated gutter system. StruXure's patented Pass Through Gutter technology allows for rain water to pass from one independent zone to the next allowing for superior drainage performance.

Basic Components

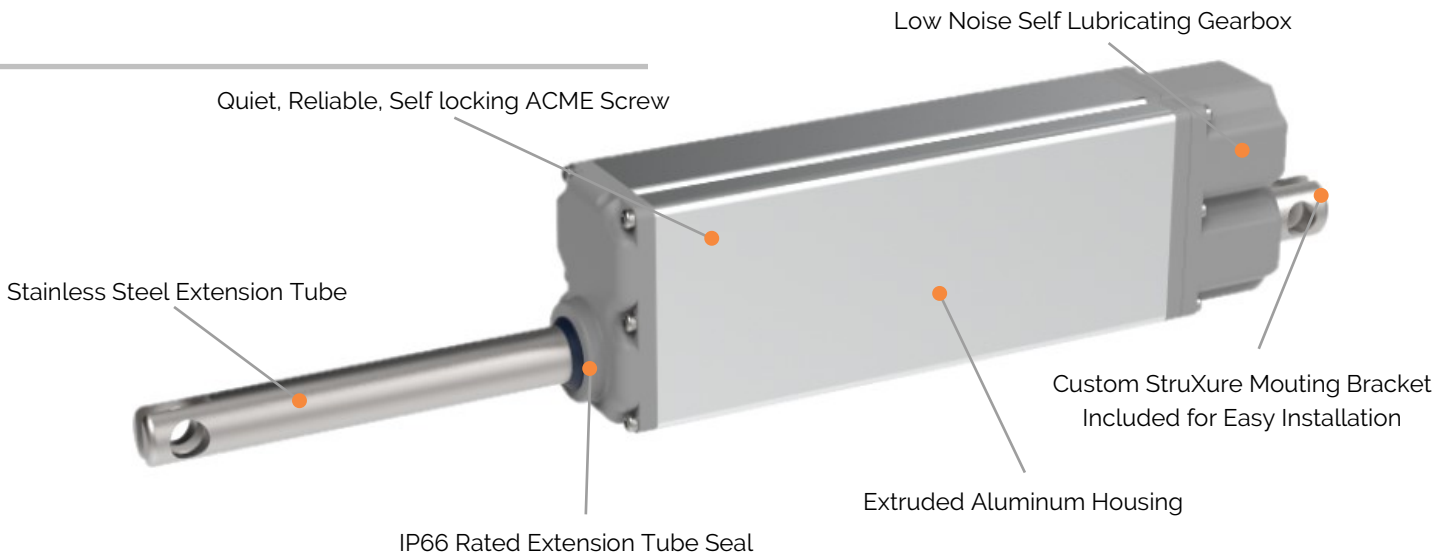
/ LOUVER / PIVOT & TRACK BAR / MOTOR

- W Louver
- X Pivot Pin
- Y Track Pin
- 1 Track Bar
- 2 Cap Bar
- 3 Pivot Bar
- 4 Motor





MOTOR SPECIFICATIONS



SOMFY TECHNICAL SPECIFICATIONS

VOLTAGE

Input Voltage	[VDC]	24
---------------	-------	----

LOAD

Static Load (Fx), max.	[N/lbs]	2500 / 562
Dynamic Load (Fx), max.	[N/lbs]	2500 / 562

STROKE

Stroke length, standard	[mm]	140
-------------------------	------	-----

CURRENT

Current consumption, rated load	[A]	1.875
---------------------------------	-----	-------

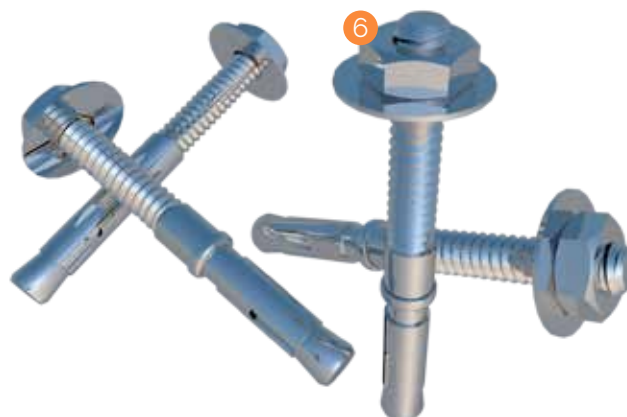
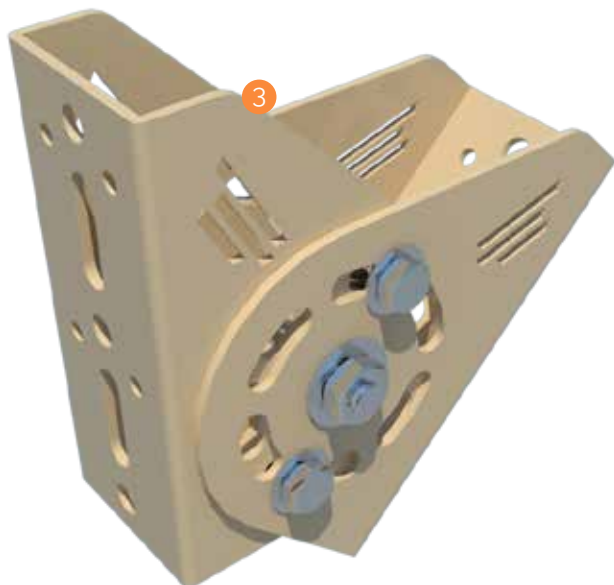
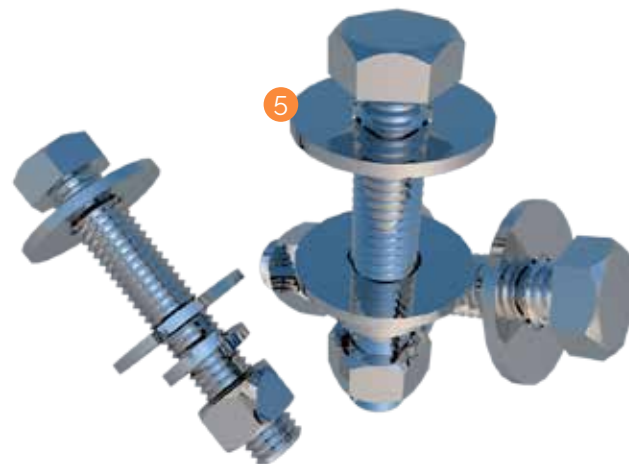
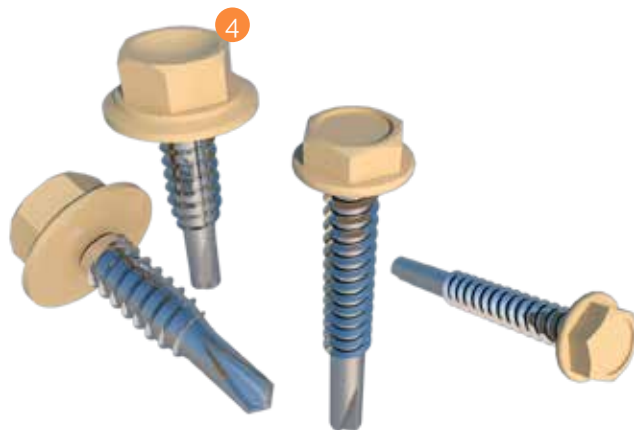
GENERAL DATA

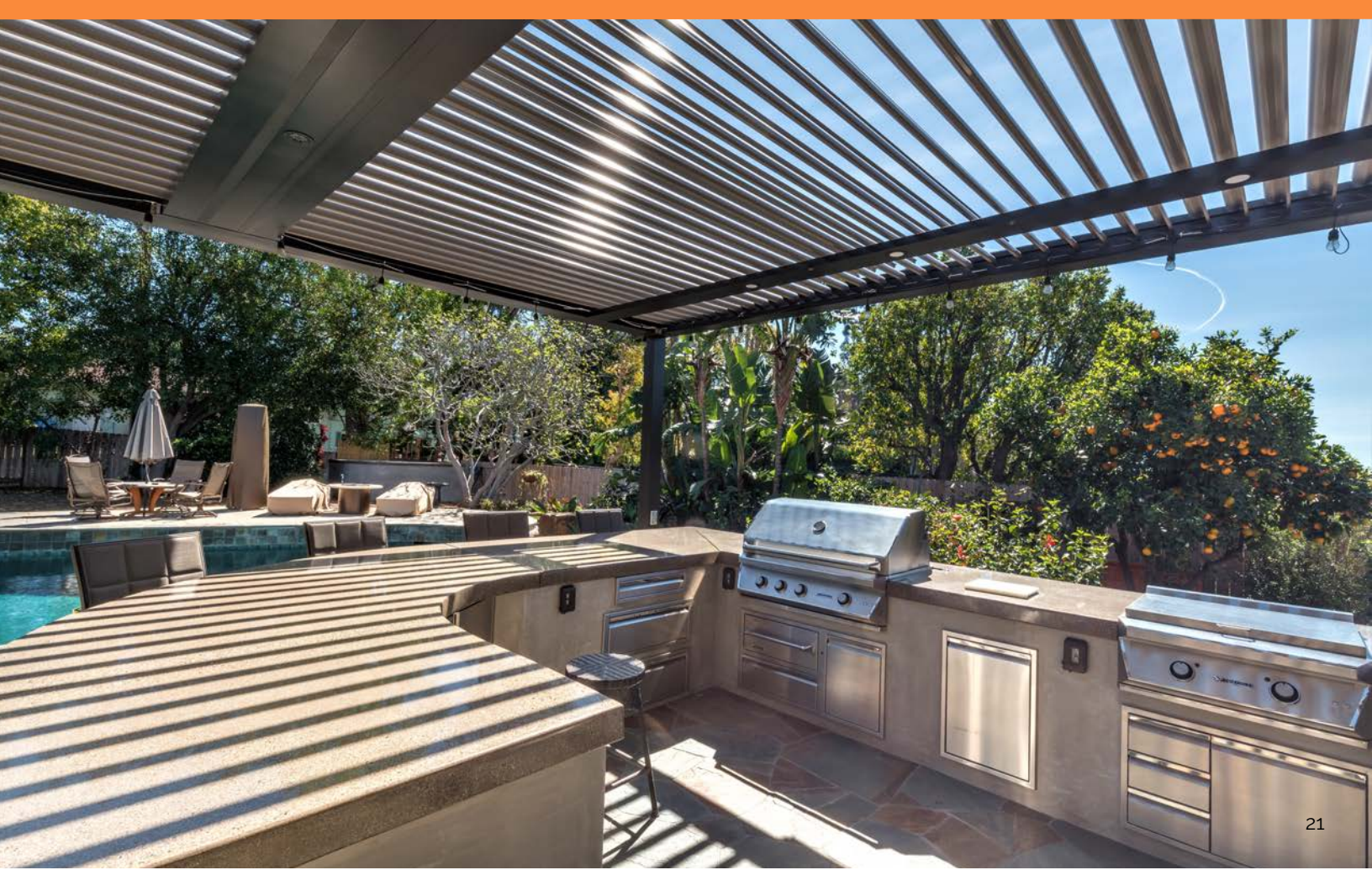
Speed, no load	[mm/s]	3.4
Speed, rated load	[mm/s]	2.8
Operating temperature limits	[°C]	-10/+60
Service life	[Cycles]	± 10,000
Sound level	[dB(A)]	≤ 70
Lead screw type		ACME
Protection Class		IP66
Certificates		CE (EN60601-1)
Insulation		CLASS III

Basic Components

/ ADDITIONAL HARDWARE / OPERATION OPTIONS

- 3 Roof Mount Bracket
- 4 Tex Screws
- 5 Bolts
- 6 Concrete anchors









Structure Accessories

ACCESSORIES:

Lighting & Fans, Corbels, Cornice Trim

LIGHTING & FANS

Accent lighting can be included with your pergola, enhancing the look and feel of your patio. Outdoor rated fans are selected by the client or designer and StruXure can provide proper fan beams for connection. These roof accessories would either hang below the louvers or reside in a corner or perimeter area of your patio cover. Either way, they are installed in a way that does not interfere with the adjust-ability of the roof's louvers. Your louvers will still be able to rotate fully and close up completely. There are many practical benefits to these features. When just shade isn't enough to ward off heat waves, a ceiling fan will circulate the air around your patio, forcing hot air out and stirring up refreshing summer breezes.

Accent lighting will let you relax outside even after the sun sets. You can get a ceiling fan that features a light fixture in its center or install separate fans and lights. You may want more than one fan or one fan and multiple lights. Plus, you'll need to determine what style of fan blade most interests you. Wood, aluminum or plastic? Paddle-shaped or leaf-shaped? The possibilities are limitless! Both fans and built-in lighting are great for entertaining and patron comfort, since they allow you to utilize your deck or patio no matter the temperature or time of the day.

Our system can support a vast number of outdoor fans from different vendors.





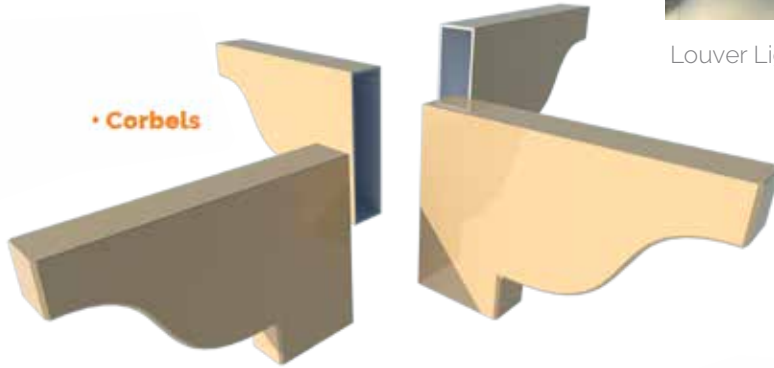
Our system can support a vast number of outdoor fans from most vendors

Fan to be selected and provided by client or designer. Outdoor rated fans must be selected and come in a variety of options



Louver Lights

• Corbels



Post Trim Kit



• Cornice Trim



Smart Automation

- Remote Control with WIFI APP (Use both together)
- Automation compatibility
- Use the same controls to automate both the pergola/structure and motorized screens
- More Sensors: Rain, Wind, Snow/Ice, Freeze
- Voice Control (Amazon Alexa Integration)
- Programmability (Different times of the day)
- Full range of radio controls: 10+ color choices
- Technical Support
- Training Support
- 5 year full warranty



ACCESSORIES:

Motor Control Sensors, Home Automation App

MOTOR CONTROL SENSORS

Our system is the most durable louvered structure on the market today! It has been specifically engineered to withstand hurricane force winds, heavy snow loads and everything in between

OPTIONAL SENSORS REACT TO WEATHER CONDITIONS



SOLAR



RAIN



WIND



HURRICANE

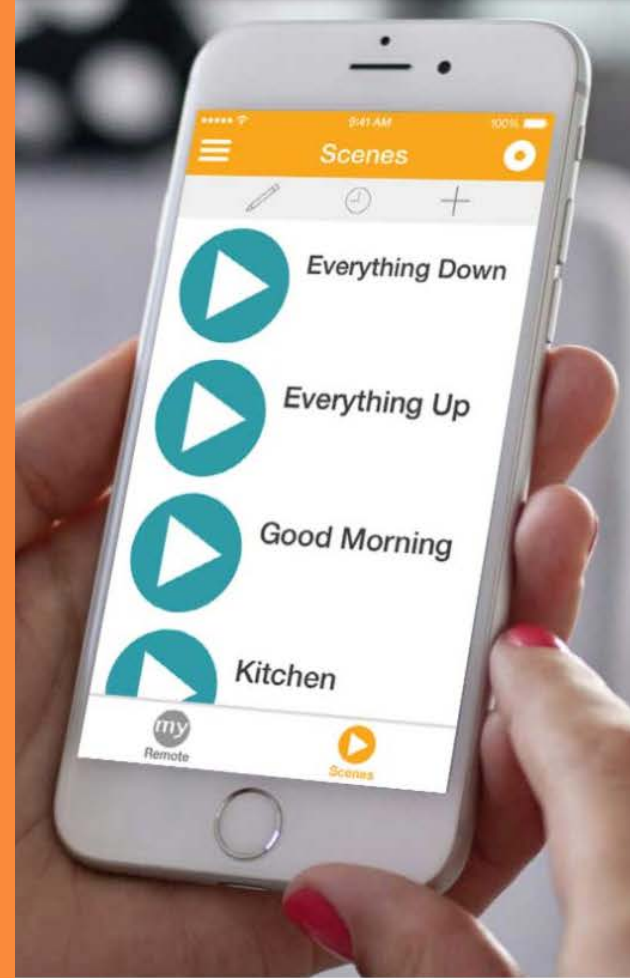


SNOW

HOME AUTOMATION APP

At StruXure Outdoor, we offer Somfy myLink technology, we knew that simply attaching a sensor to a household item didn't necessarily make it "smart." That's why we concentrated on integrating meaningful, necessary technology that would improve homeowners' lives while also enhancing their homes. Somfy myLink technology provides users a variety of options for programming and controlling their StruXure Outdoor systems. Homeowners can program their louvered structure to open and close at certain times of the day, choose between 4 preset positions, and re-open to its last known position, guaranteeing the perfect position every time. Somfy myLink technology can also automatically open and close your louvered structure depending on conditions such as rain and wind. If excessive wind speeds are detected, Hurricane Mode will override all functions and open the louvers to allow for air to freely flow through the louvers.

IFTTT is a free, web-based service that allows myLink to communicate with other smart home solutions easily. Now, your connected devices and apps work together to create the ultimate ambiance, automatically. Mix and match over 600 IFTTT services to define actions and triggers that make sense to your lifestyle. Get started with Applets by Somfy, or create your own for a personalized experience!



myLink App™

Available for free download in the Apple and Google Play stores, the Somfy myLink app provided by StruXure Outdoor provides the ultimate control of your outdoor living environment all from the palm of your hand.

The Somfy myLink™ allows you to enjoy your Radio Technology Somfy® (RTS) motorized solutions even more with IFTTT (If This, Then That).

Control your Somfy-powered RTS solutions with devices from all below:

PHILIPS

nest

we mo

Google Home
with Google Assistant

wu

SmartThings

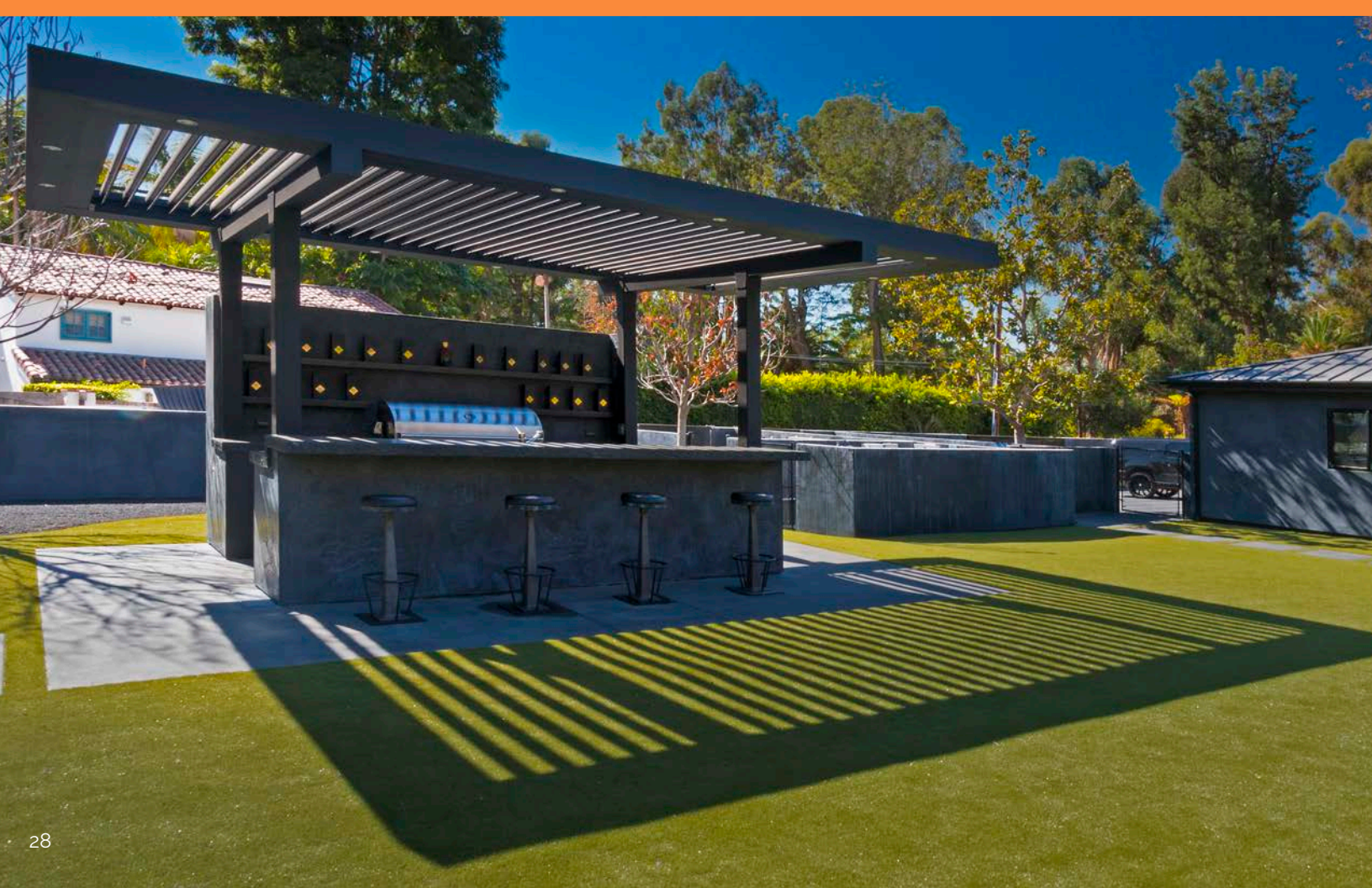
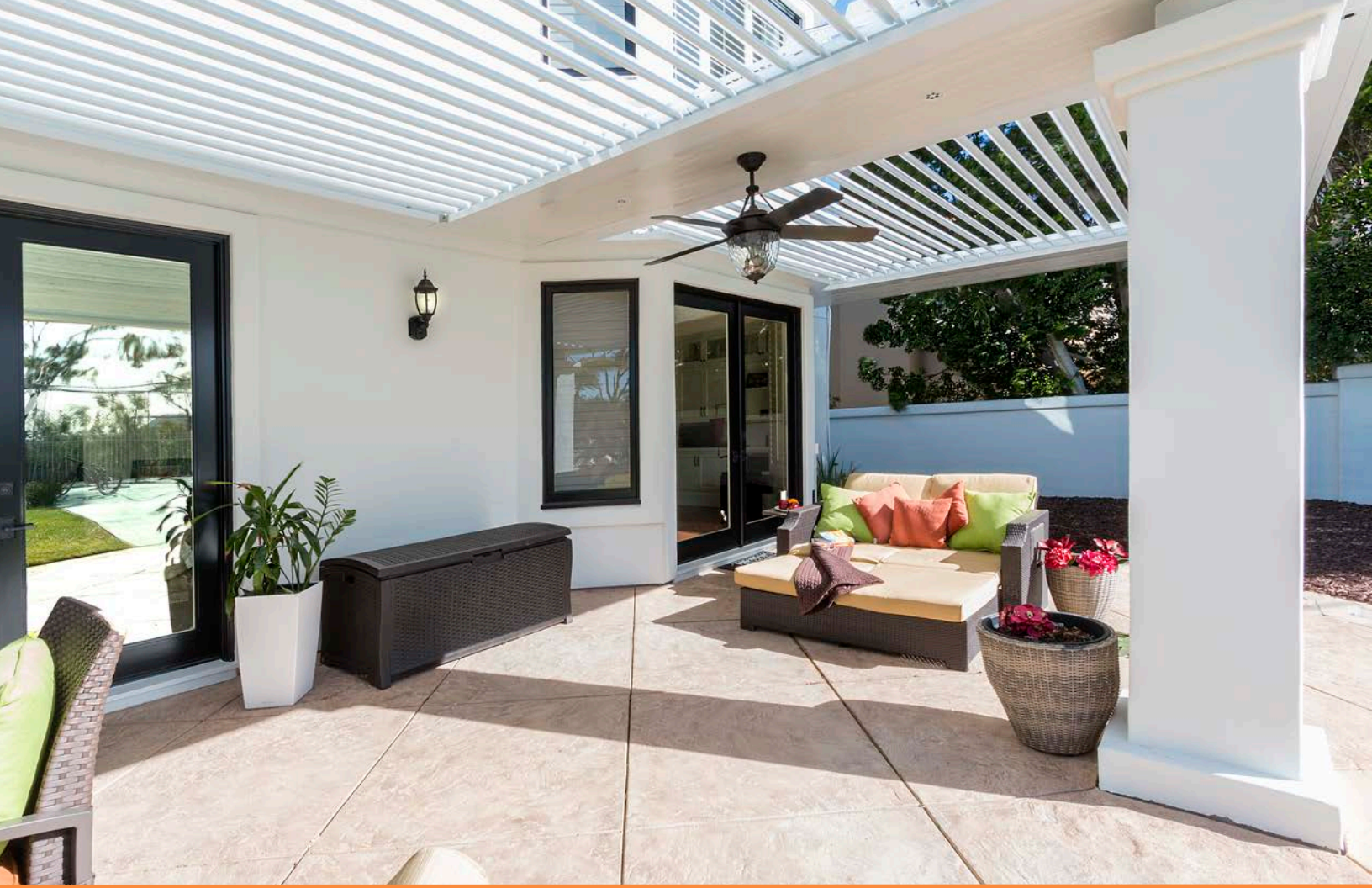
JUST ASK
amazon alexa

Honeywell

ring

wink









COLOR OPTIONS

Complement Any Space

The StruXure Outdoor system features four standard color options that can enhance almost any architecture. For unique instances where standard won't do, we are able to provide thousands of custom colors for the perfect match. A chemical textured powder coat makes a more scratch-resistant surface, while giving it a matte finish that is extremely on-trend for outdoor design today.

WHITE /

BEIGE /

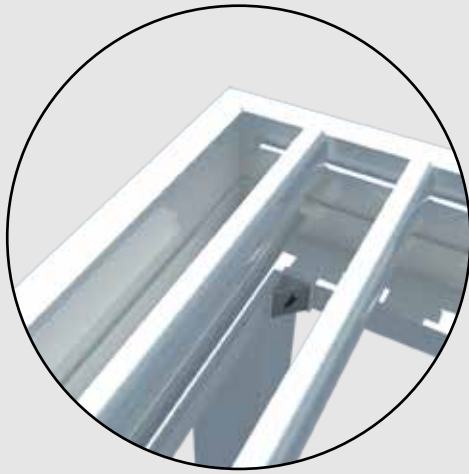
ADOBE /

GRAY /

BRONZE /



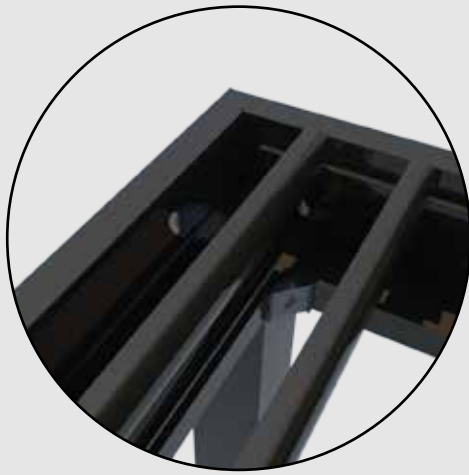
5 Standard Colors Available
or Choose A Custom Color.
Now Offering Woodgrain Options.



WHITE: STANDARD /



BEIGE: STANDARD /



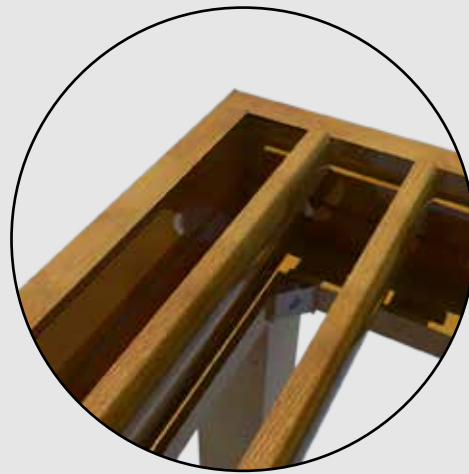
BRONZE: STANDARD /



ADOBE: STANDARD /



STRUXURE: CUSTOM /



WOOD TEXTURE: ANY COLOR /

Provide StruXure Outdoor with your RAL number and we can custom color match

Material & Protective Coating

MATERIAL

Aluminum 6063-T6. StruXure Outdoor, Inc. MSDS

SUBCATEGORY

6000 Series Aluminum Alloy; Aluminum Alloy; Metal; Nonferrous Metal

COMPOSITION NOTES

Aluminum content reported is calculated as remainder. Composition information provided by the Aluminum Association.

KEY WORDS

UNS A96063; ISO AIMg0.5Si; Aluminium 6063-T6; AA6063-T6

COMPONENT	WT. %	COMPONENT	WT. %	COMPONENT
Al	Max 97.5	Mg	0.45 - 0.9	Si
Cr	Max 0.1	Mn	Max 0.1	Ti
Cu	Max 0.1	Other, each	Max 0.05	Zn
Fe	Max 0.35	Other, total	Max 0.15	

Material Notes: Data points with the AA note have been provided by the Aluminum Association, Inc..

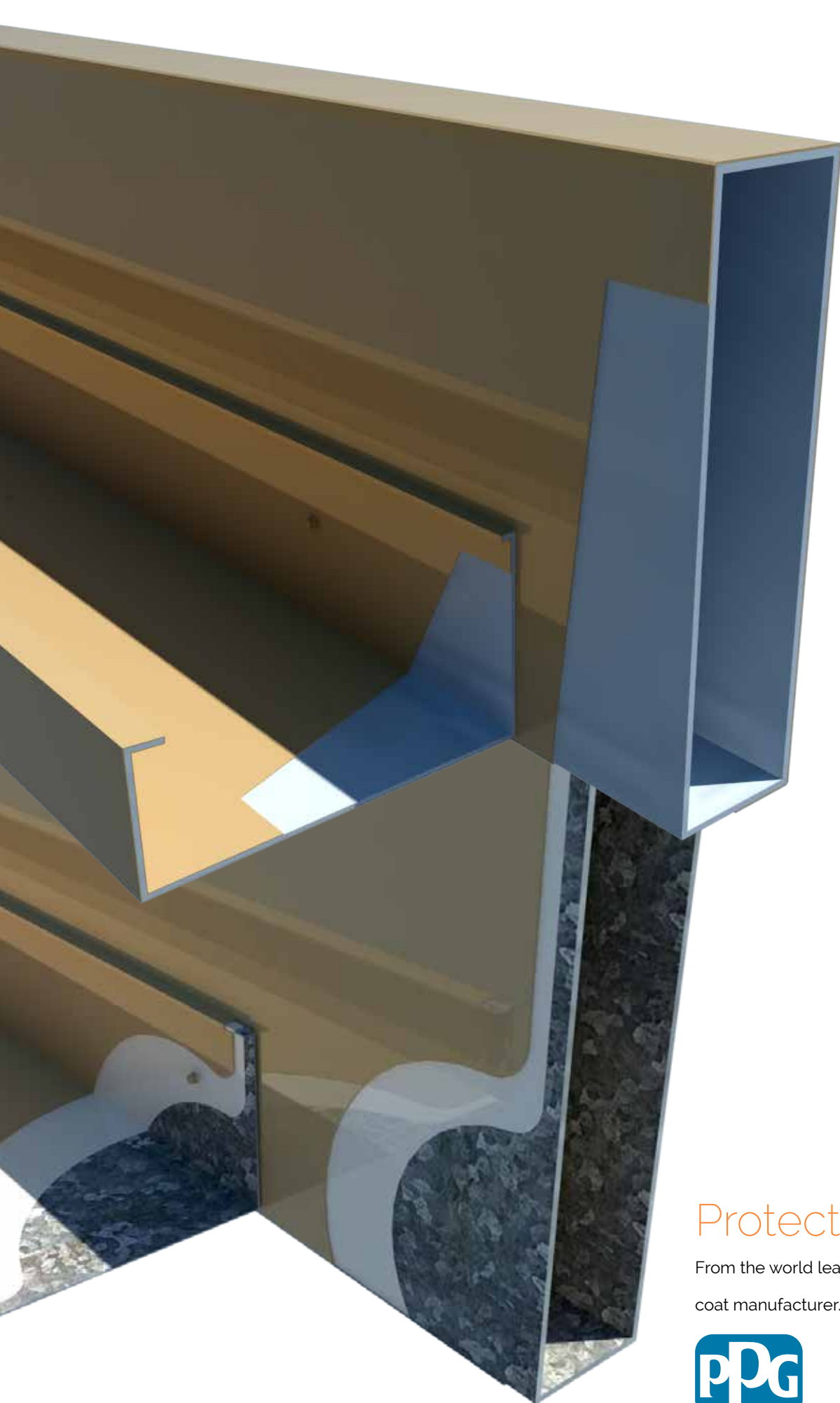
PROTECTIVE COATING

The premium Powder Coating Process is aesthetically pleasing, produces a durable uniform finish, and can be custom formulated for a range of finishes, including the on trend matte finish.

This extensive line of Powders is manufactured to meet the increasing demands of the appliance and industrial markets. They are the ideal solution for smoothness, low-bake, durability, and physical property requirements. An unsurpassed application development program enables consistently friendly use on a variety of substrates, including extruded aluminum. The coating gives:

- Excellent Exterior Durability
- Available in a Wide Range of Colors
- Good Chemical Resistance
- VOC's are Essentially Zero





Protective Coating

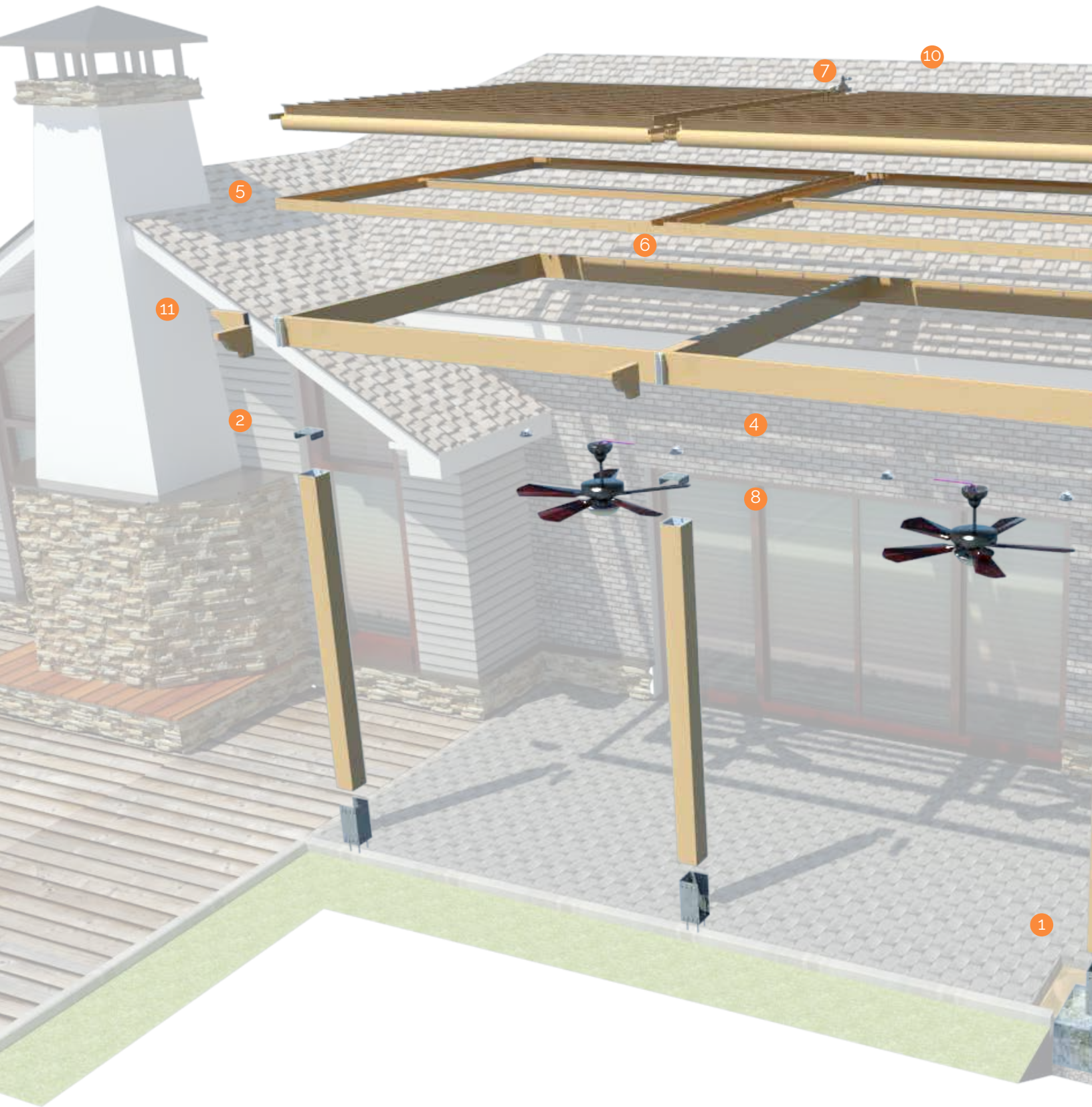
From the world leading powder
coat manufacturer.



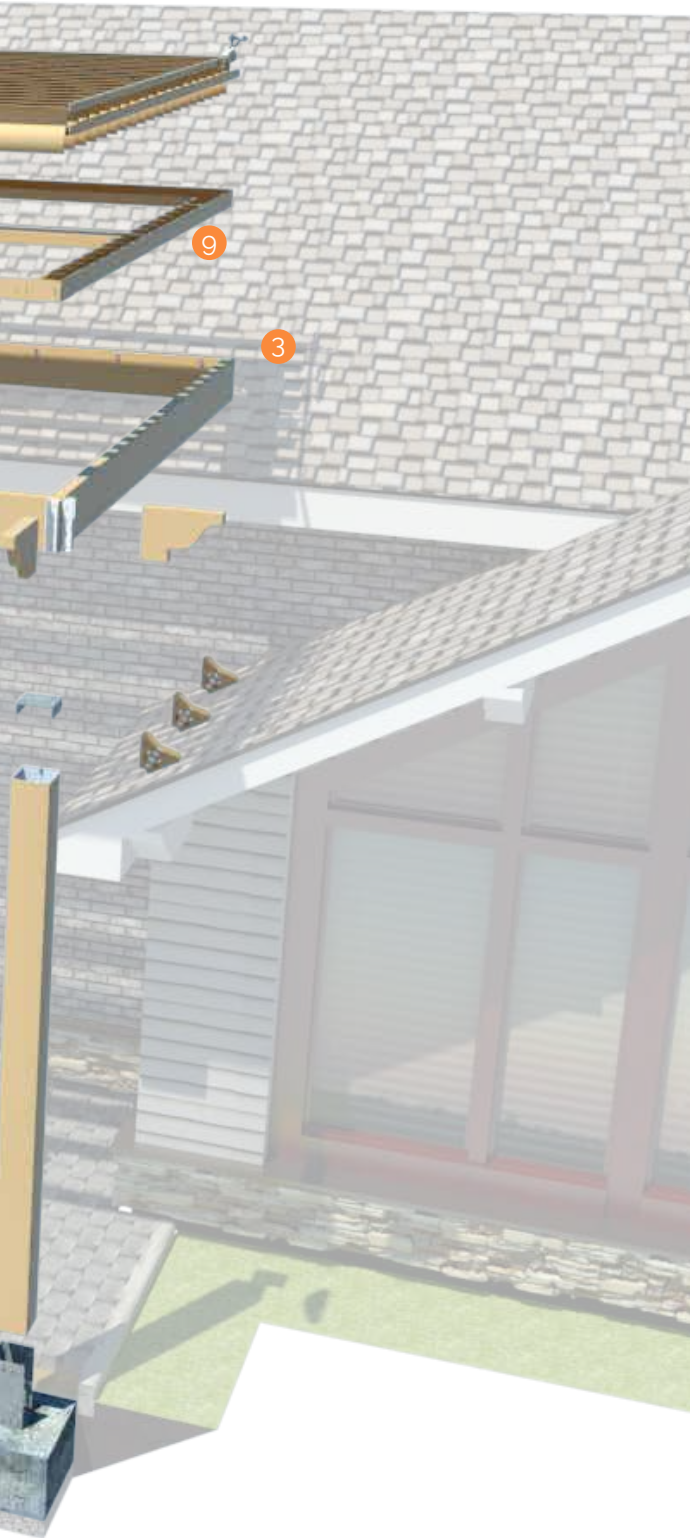




How It All Fits Together

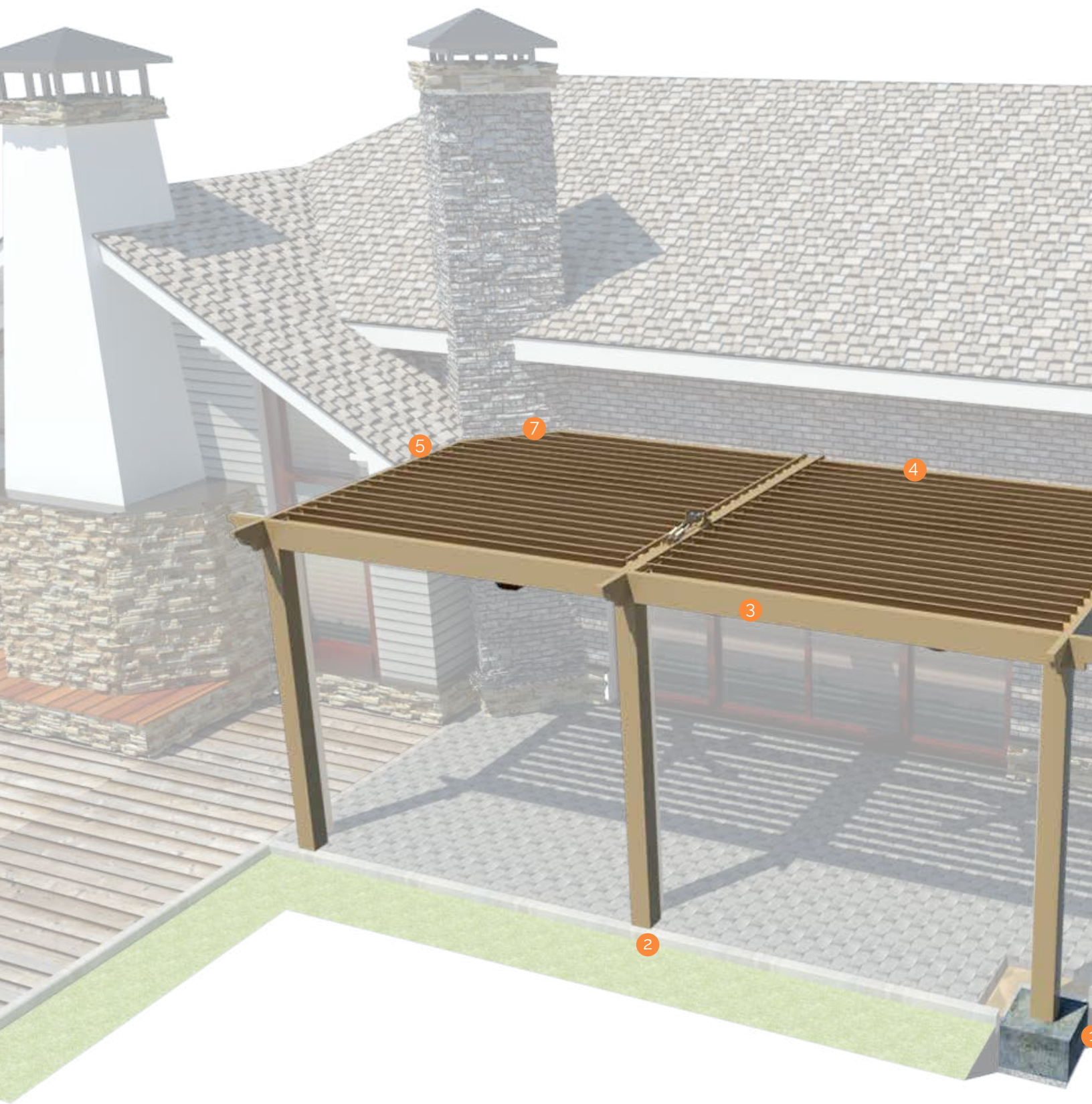


How It All Fits Together



BASIC COMPONENTS

1	Post to Post Bracket	15
2	Perimeter Beam to Post	17
3	Perimeter Beam Corner	18
4	Perimeter Beam to Interior Beam & to DBL Beam	19
5	Beam to Gutter / Corner	20
6	Beam to Gutter / Pass Through	21
7	Roof Mount Bracket	22
8	Can Light Track	22
9	Fan Beam	23
10	Pivot louvers	24
11	Corbels	25



How It All Fits Together

BASIC COMPONENTS

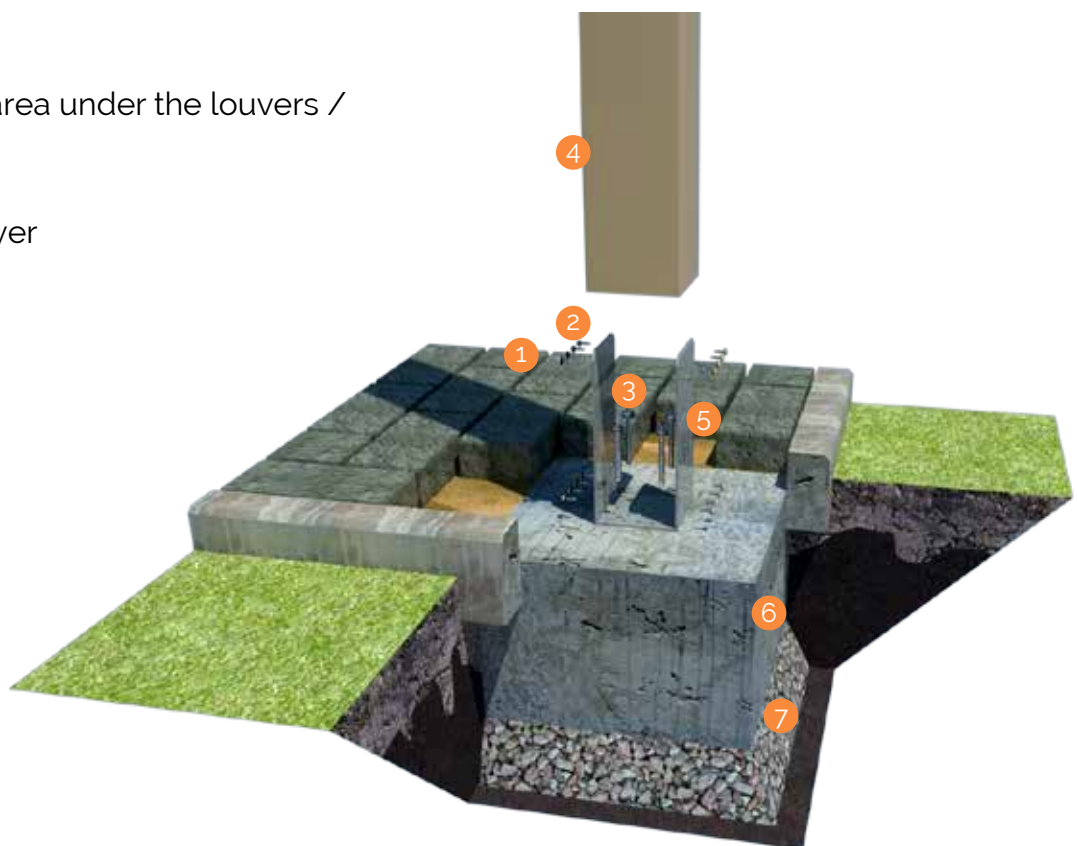
1	Post Bracket to Footer	15
2	Post embedded into footer.....	17
3	Perimeter Beam to host.....	27
	structure	
4	Perimeter Beam to host.....	28
	structure "Brick Wall"	
5	Perimeter Beam to host.....	29
	structure "Fascia"	
6	Perimeter Beam to host.....	30
	structure "Roof"	
7	Louvers to host.....	32
	structure "Angle Beam"	



How It All Fits Together

/ POST BRACKET TO FOOTER / POST TO POST BRACKET

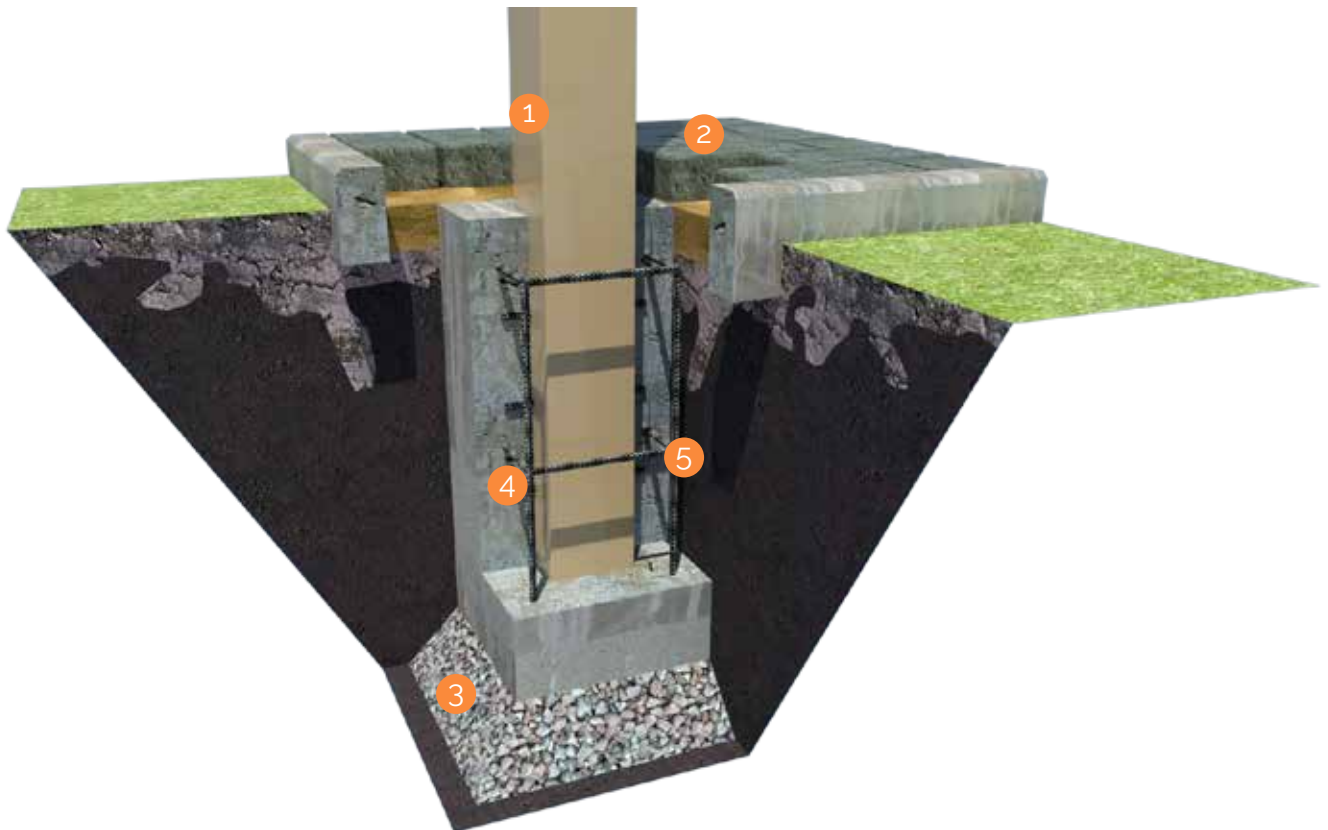
- 1 Floor covering / area under the louvers /
- 2 Tek Screws
- 3 Concrete anchors
- 4 Posts (4" x 4", 6" x 6", 8" x 8" available)
- 5 Post Bracket
- 6 Concrete footer
- 7 Gravel leveling layer
- 8 Concrete anchors
- 9 Tek Screws
- 10 Post
- 11 Tek Screws
- 12 Floor covering / area under the louvers /
- 13 Concrete footer
- 14 Gravel leveling layer

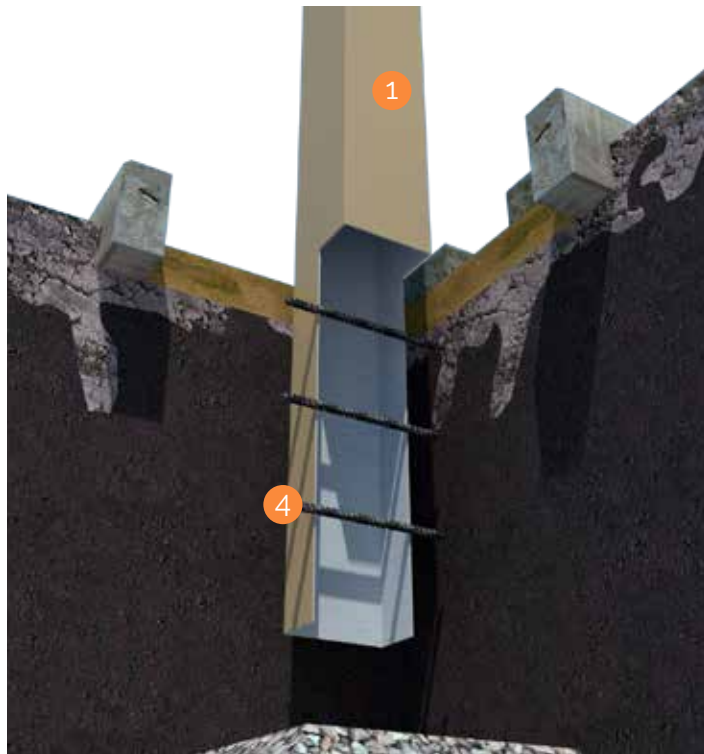
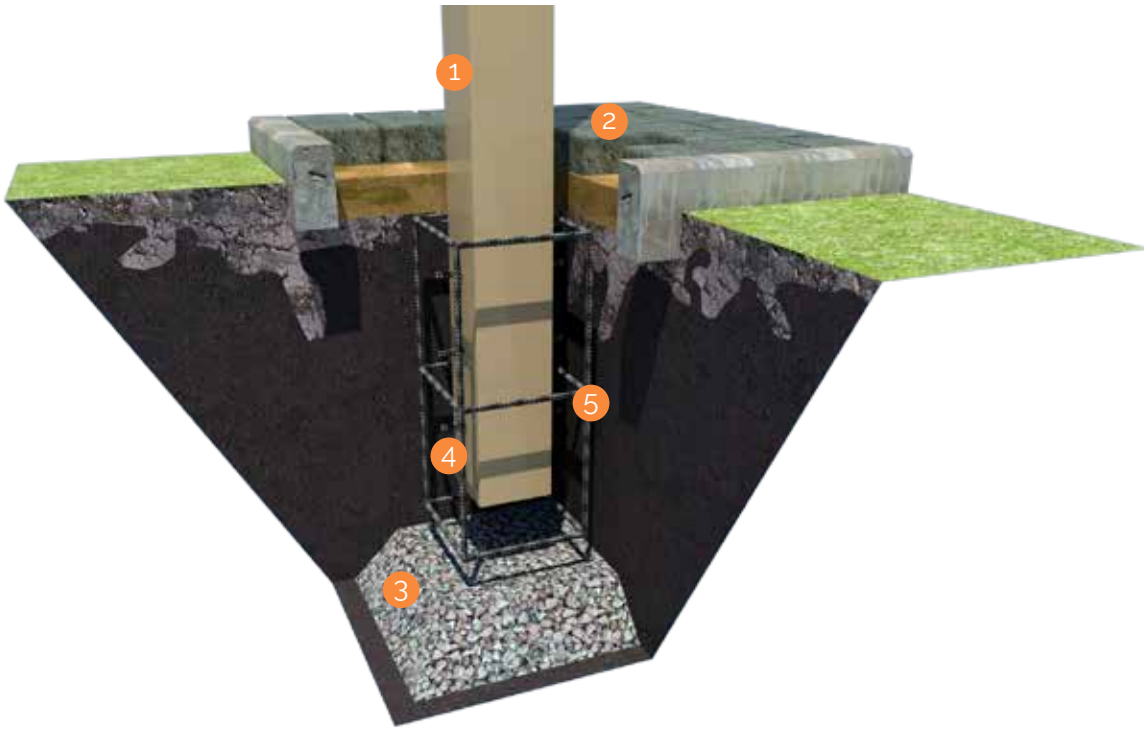


How It All Fits Together

/ POST EMBEDDED INTO FOOTER

- 1 Post
- 2 Floor covering / area under the louvers /
- 3 Gravel leveling layer
- 4 Pieces of rebar or similar hardware
- 5 Box of rebar

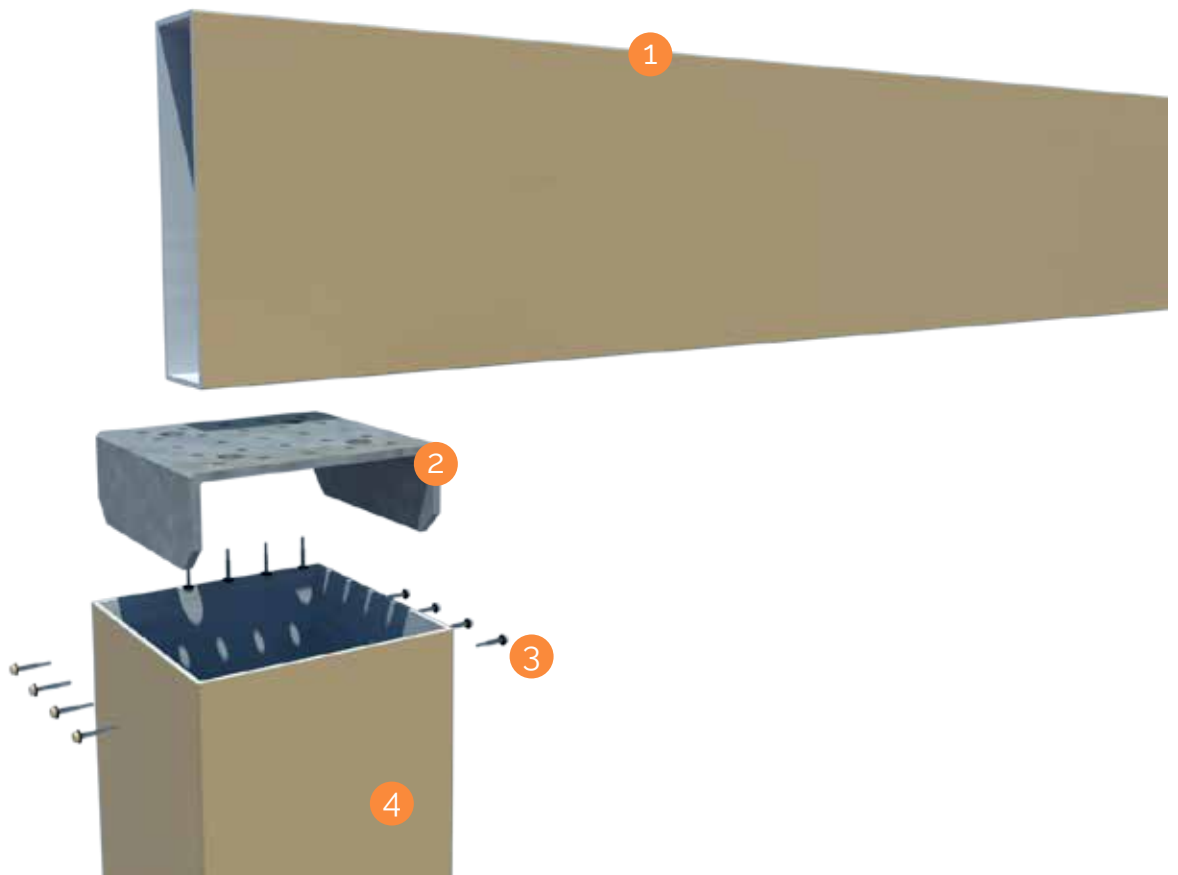


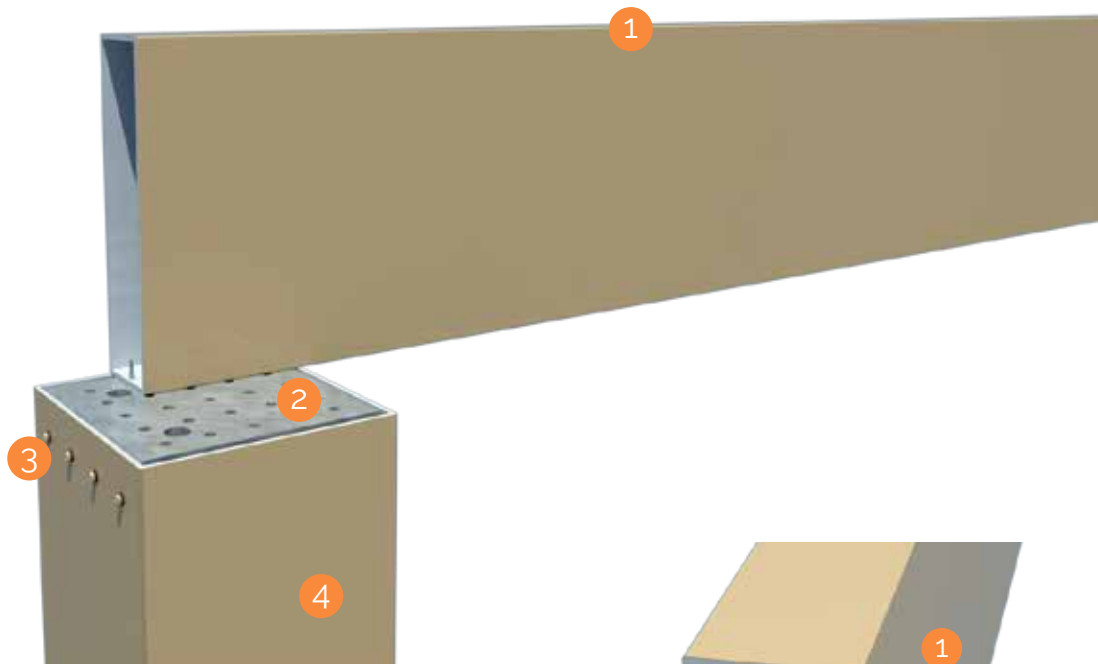


How It All Fits Together

/ PERIMETER BEAM TO POST

- 1 Perimeter Beam
- 2 Post Bracket
- 3 Tek Screws
- 4 Post

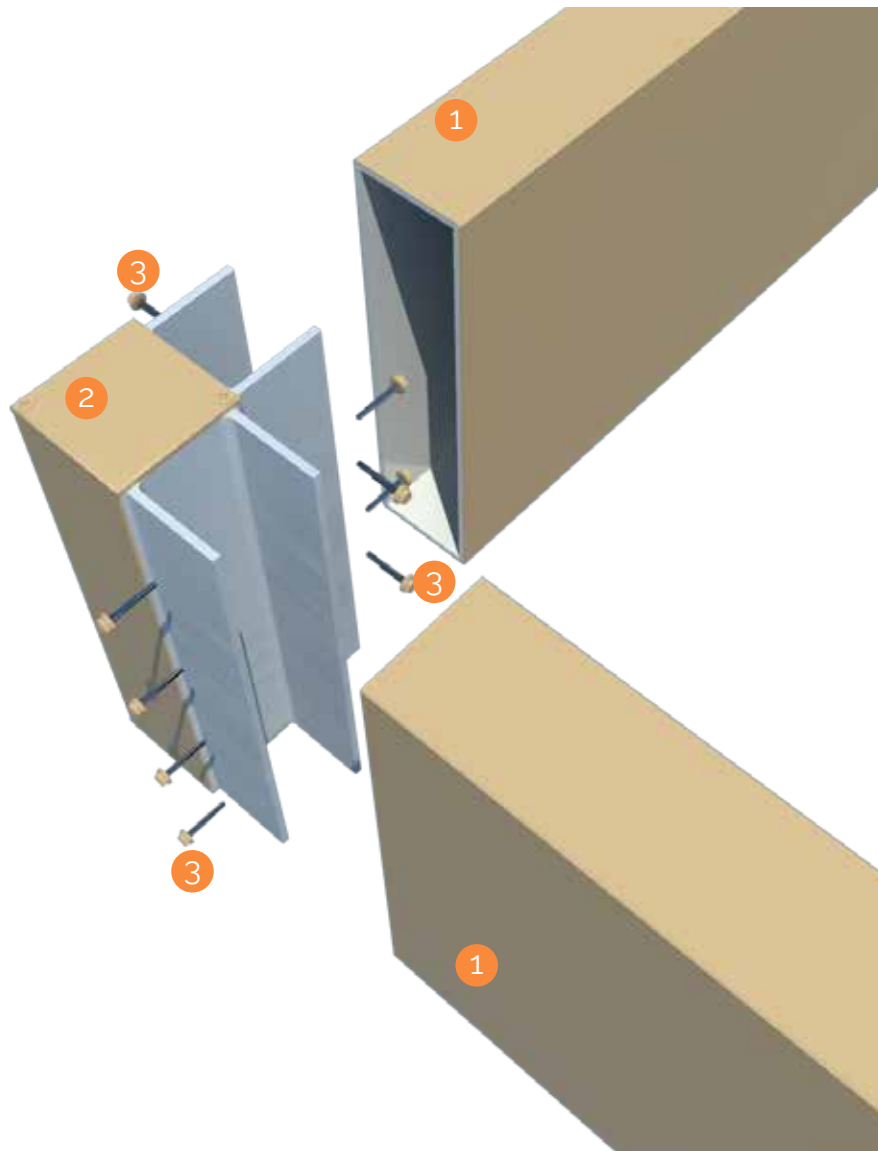


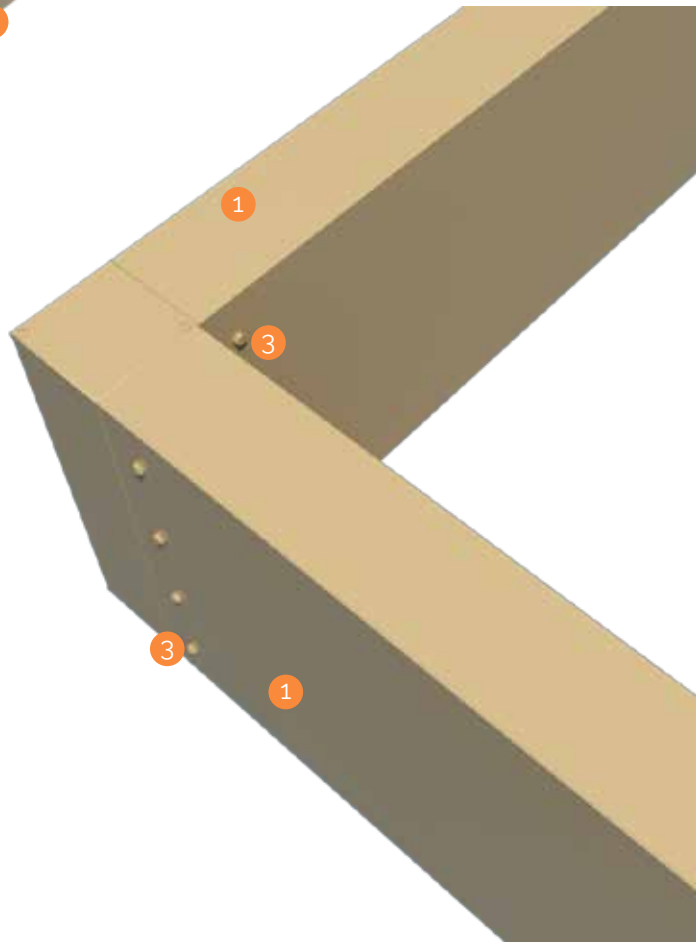
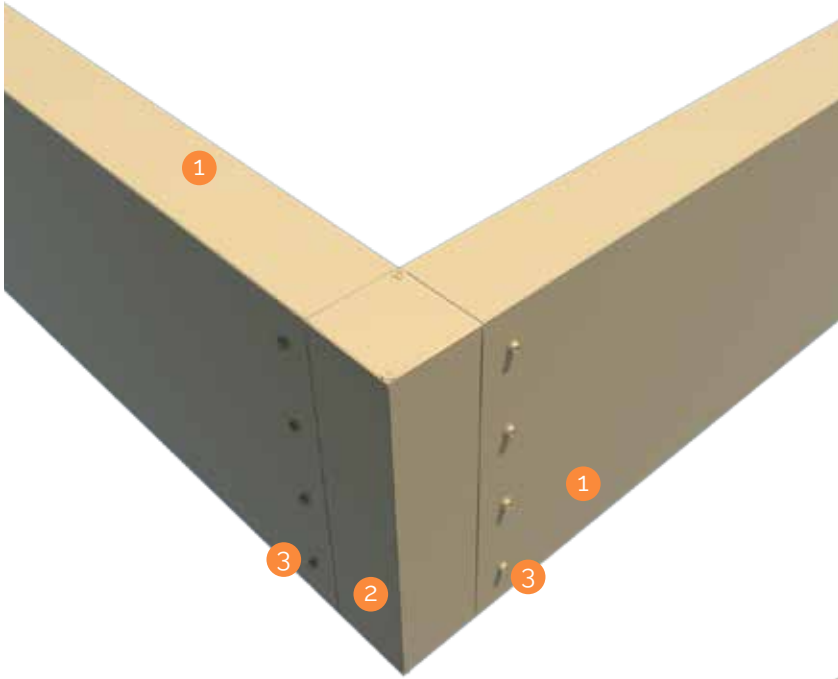


How It All Fits Together

/ PERIMETER BEAM CORNER

- 1 Perimeter Beam
- 2 Corner Connector
- 3 Tek Screws

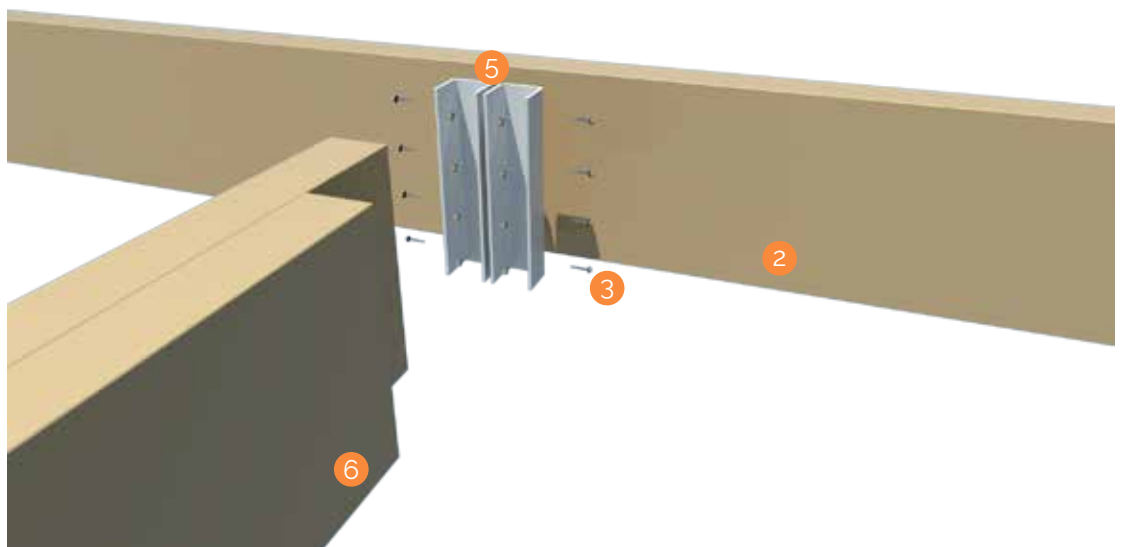
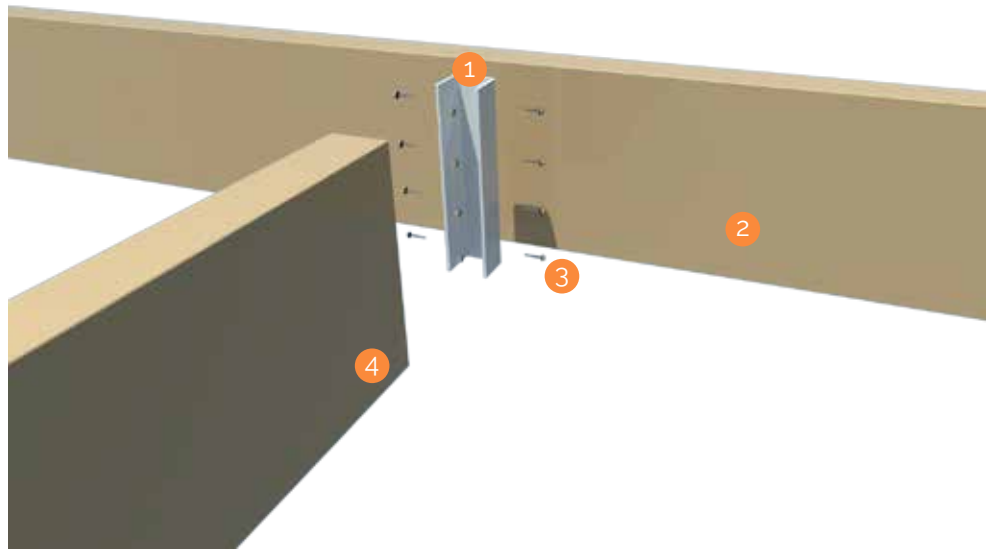


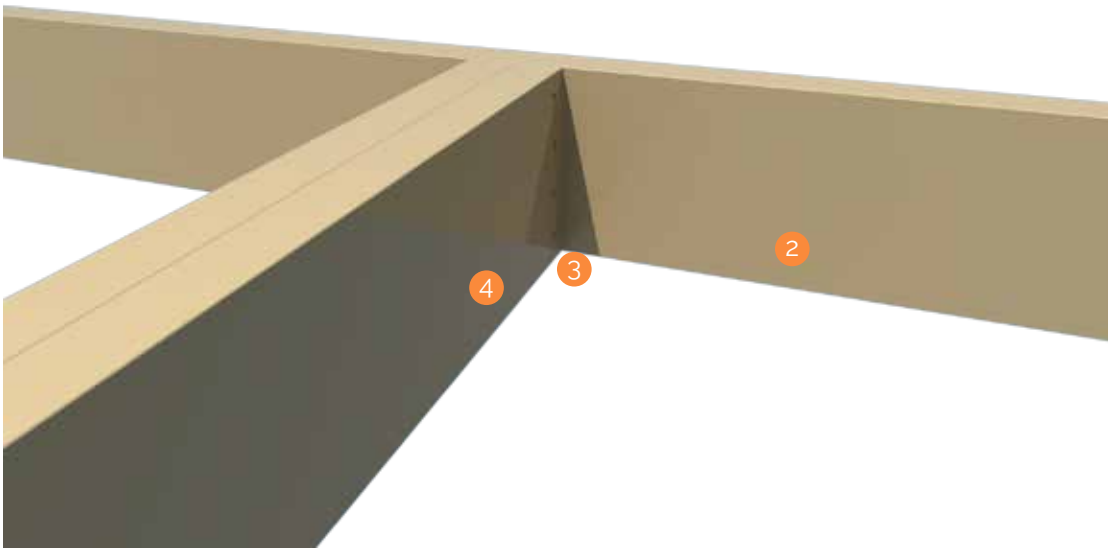
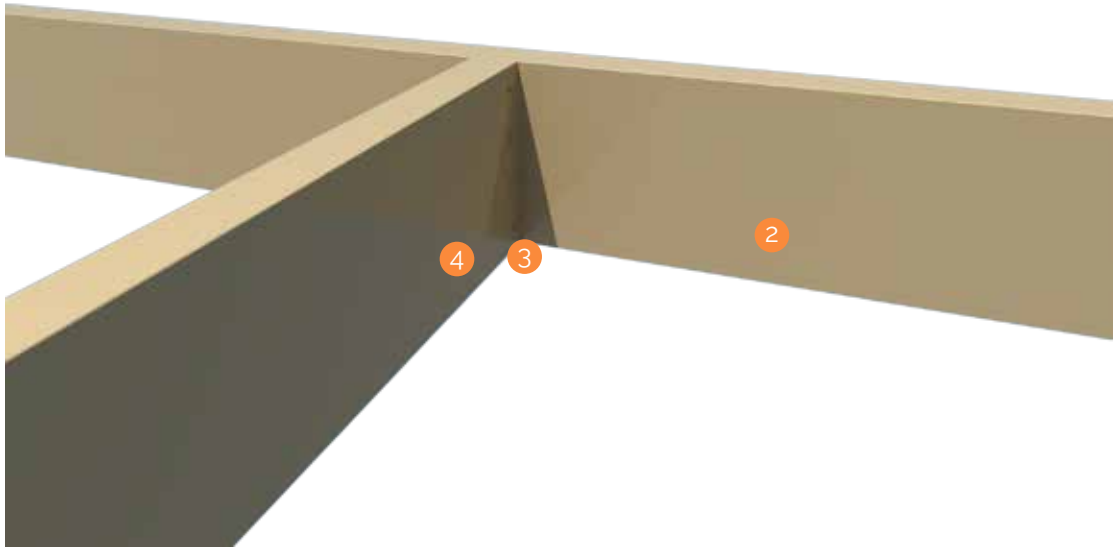


How It All Fits Together

/ PERIMETER BEAM TO INTERIOR BEAM & TO DBL INTERIOR BEAM

- 1 Beam to Beam Connector
- 2 Perimeter Beam
- 3 Tek Screws
- 4 Interior Beam
- 5 DBL Beam to Beam Connector
- 6 DBL Interior Beam

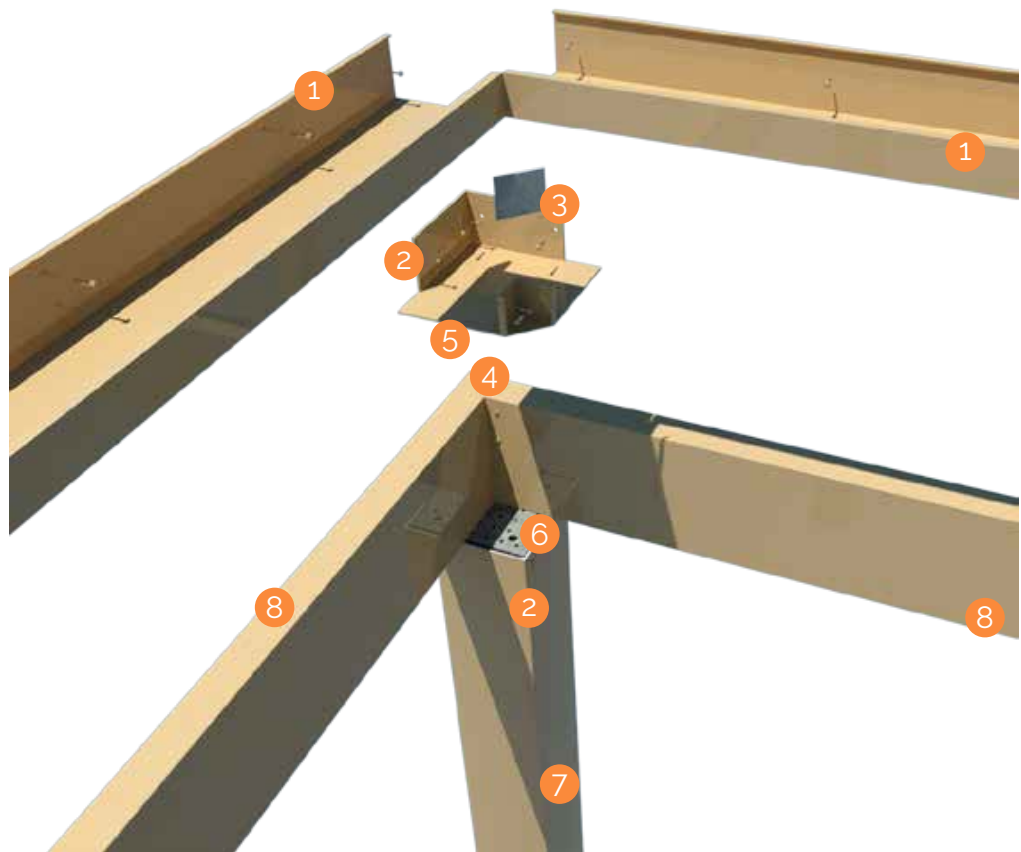


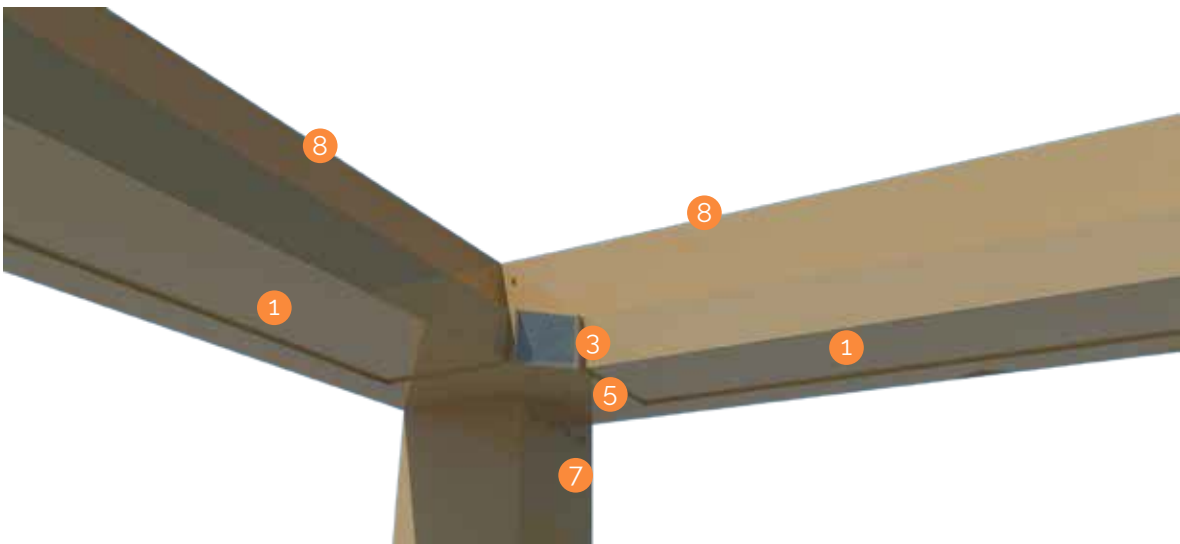


How It All Fits Together

/ BEAM TO GUTTER : CORNER

- 1 Perimeter Gutter
- 2 Tek Screws
- 3 StruXure Sign
- 4 Corner Connector
- 5 Corner Gutter
- 6 Post Bracket
- 7 Post
- 8 Perimeter Beam

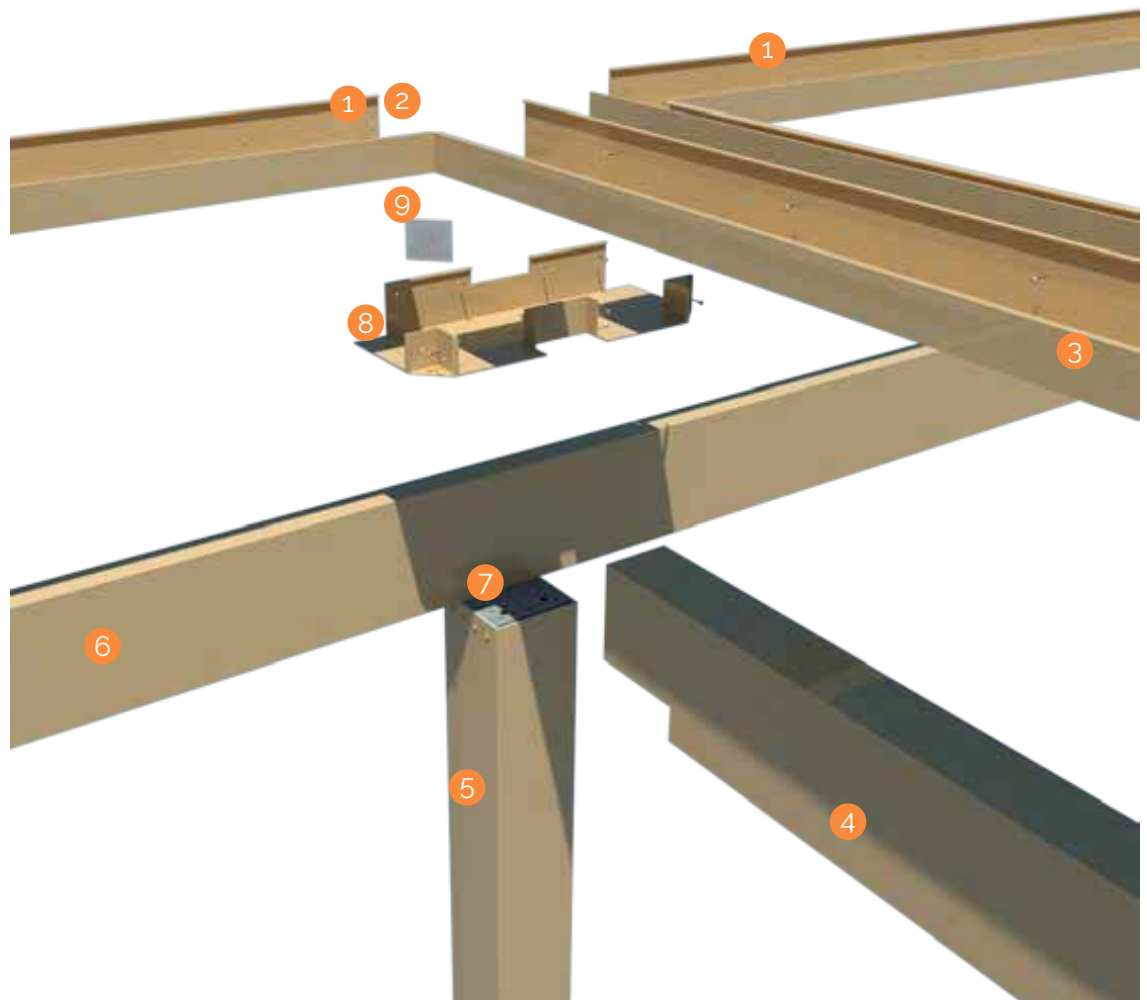


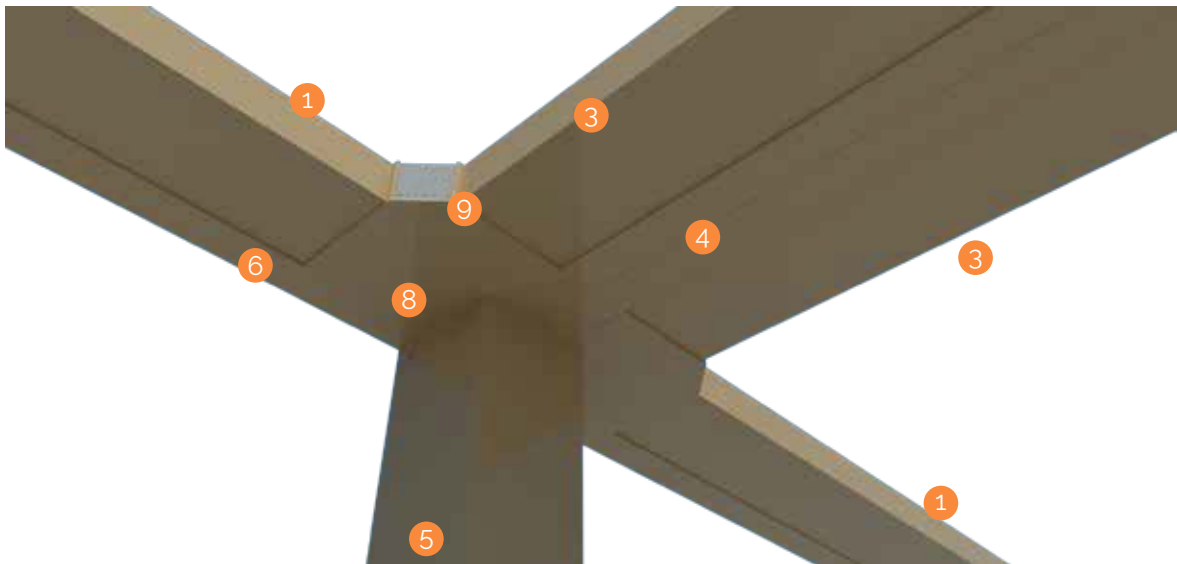
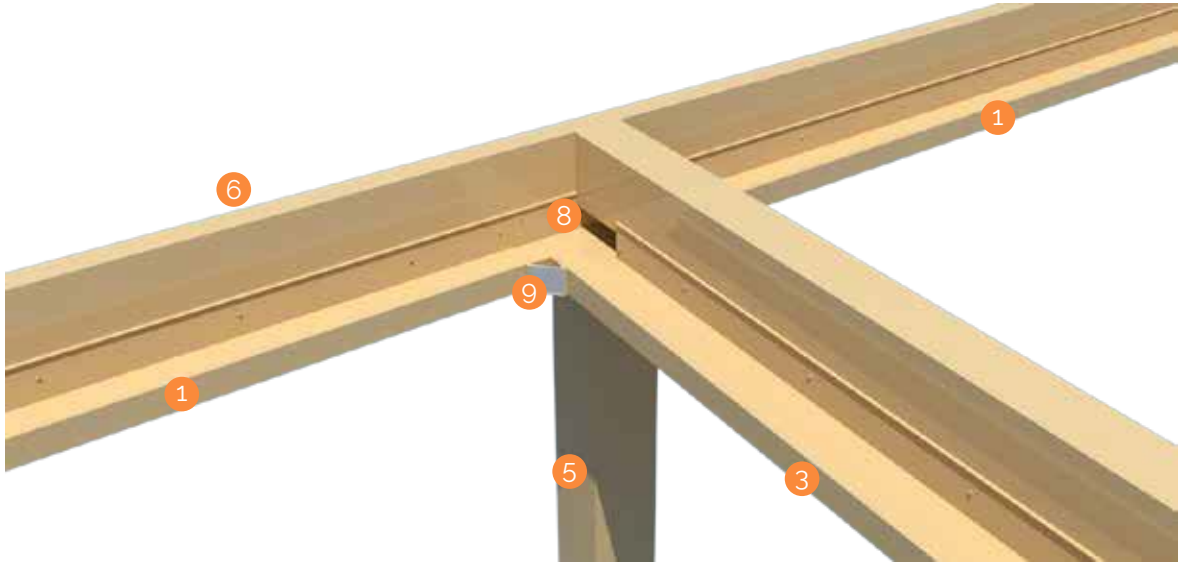


How It All Fits Together

/ BEAM TO GUTTER : PASS THROUGH

- ① Perimeter Gutter
- ② Tek Screws
- ③ Interior Gutter
- ④ DBL Interior Beam
- ⑤ Post
- ⑥ Perimeter Beam
- ⑦ Post Bracket
- ⑧ Pass Through Gutter
- ⑨ StruXure Sign

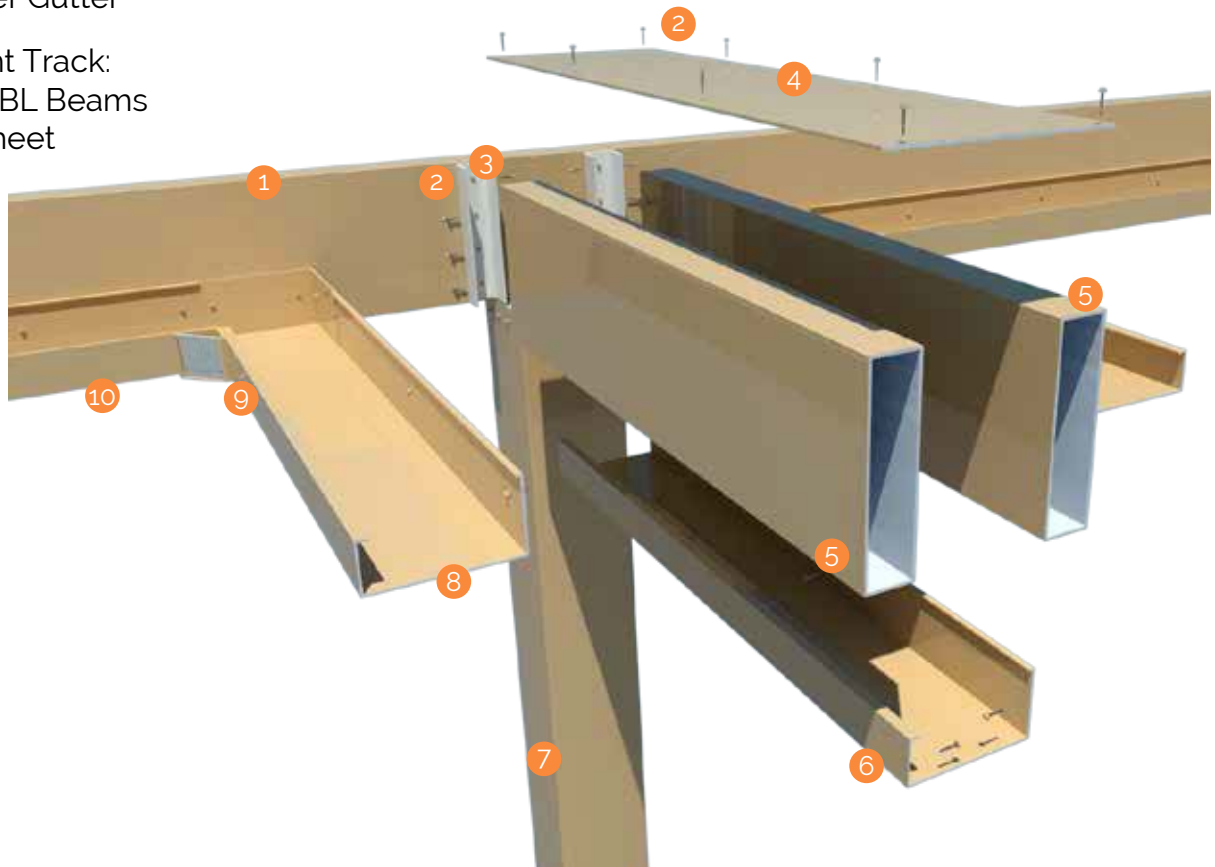


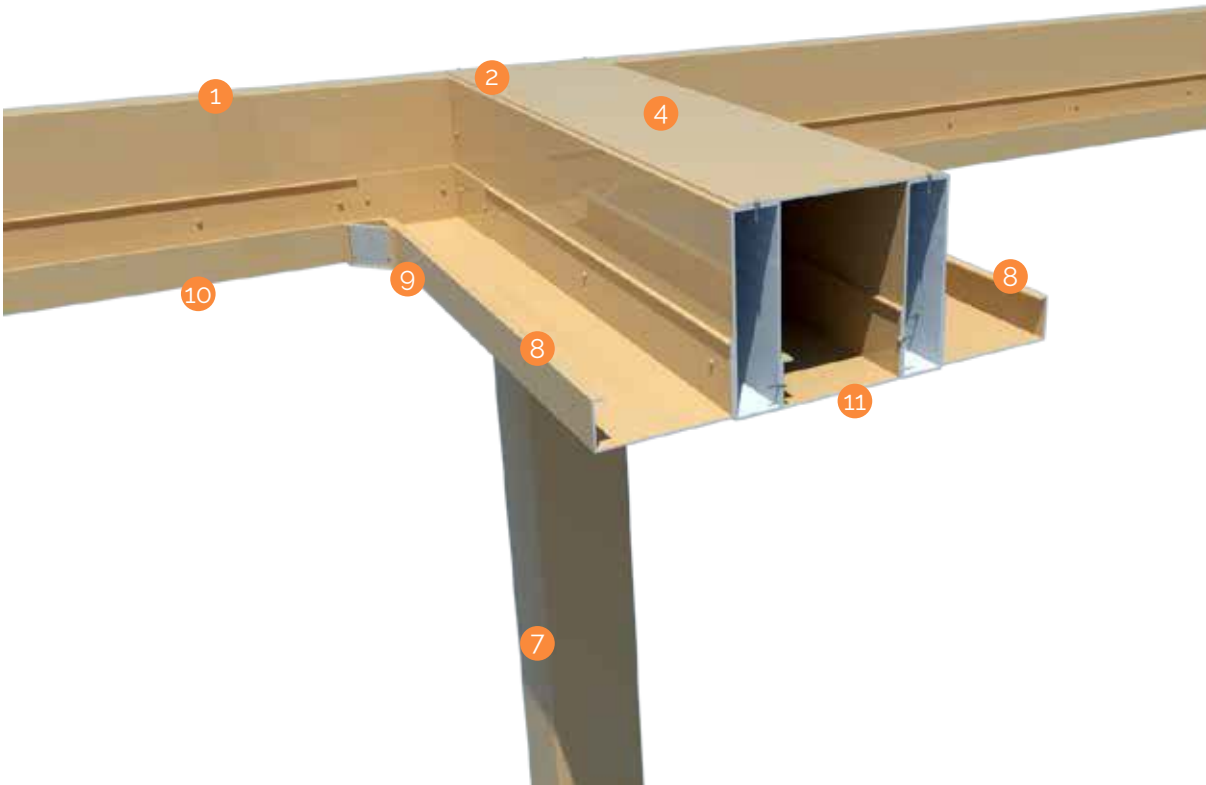
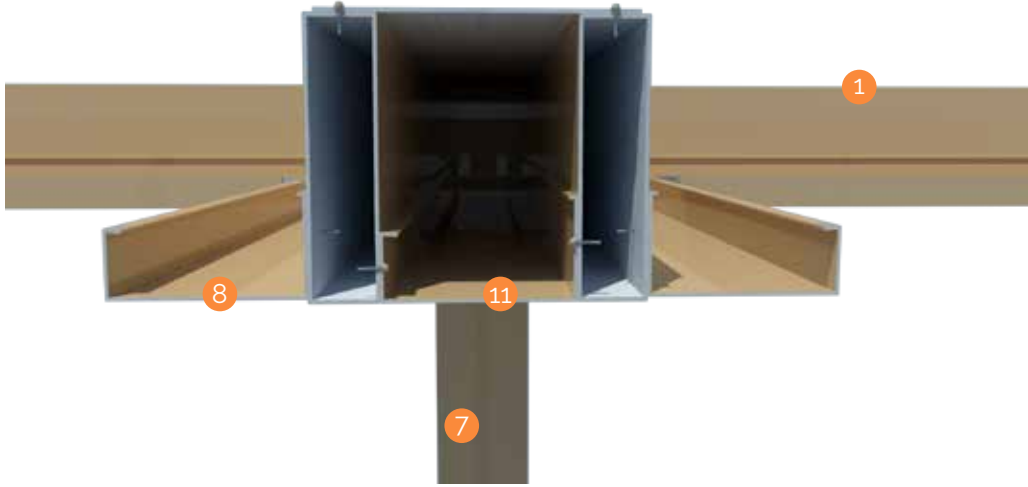


How It All Fits Together

/ CAN LIGHT TRACK

- 1 Perimeter Beam
- 2 Tek Screws
- 3 Beam to Beam Connector
- 4 Cover Sheet
- 5 Beam
- 6 Gutter
- 7 Post
- 8 Interior Gutter
- 9 Corner Gutter
- 10 Perimeter Gutter
- 11 Can Light Track:
Gutter DBL Beams
Cover Sheet

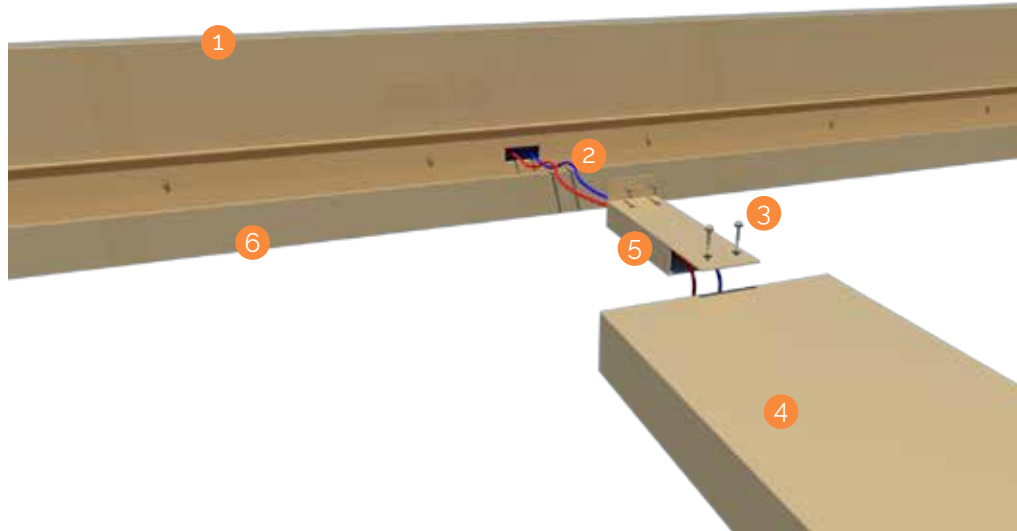


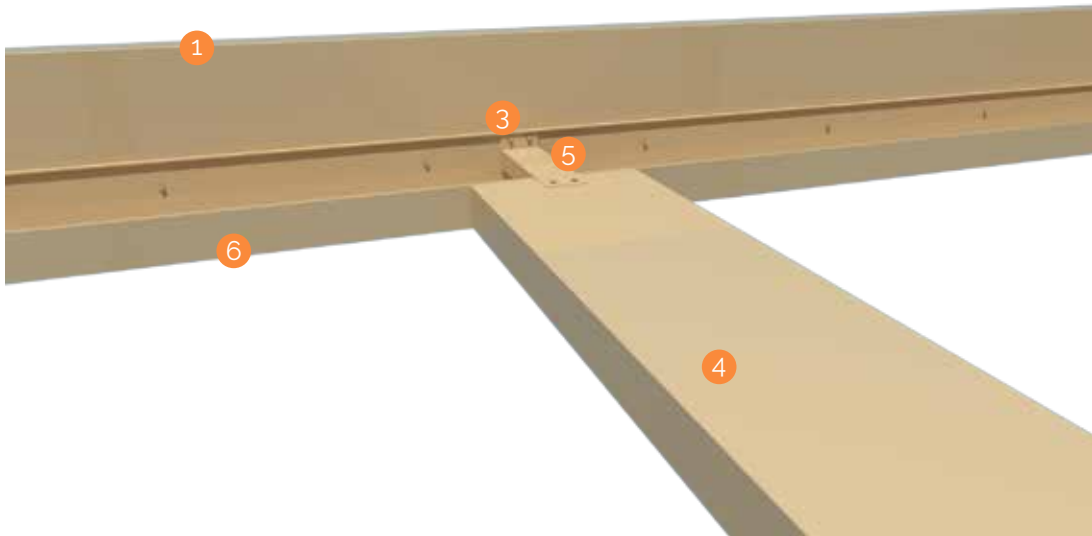


How It All Fits Together

/ FAN BEAM

- 1 Perimeter Beam
- 2 Electric cables
- 3 Tek Screws
- 4 Fan Beam
- 5 Liquidtight Flexible Conduit
- 6 Perimeter Gutter
- 7 LED light
- 8 Wood fan with lighting



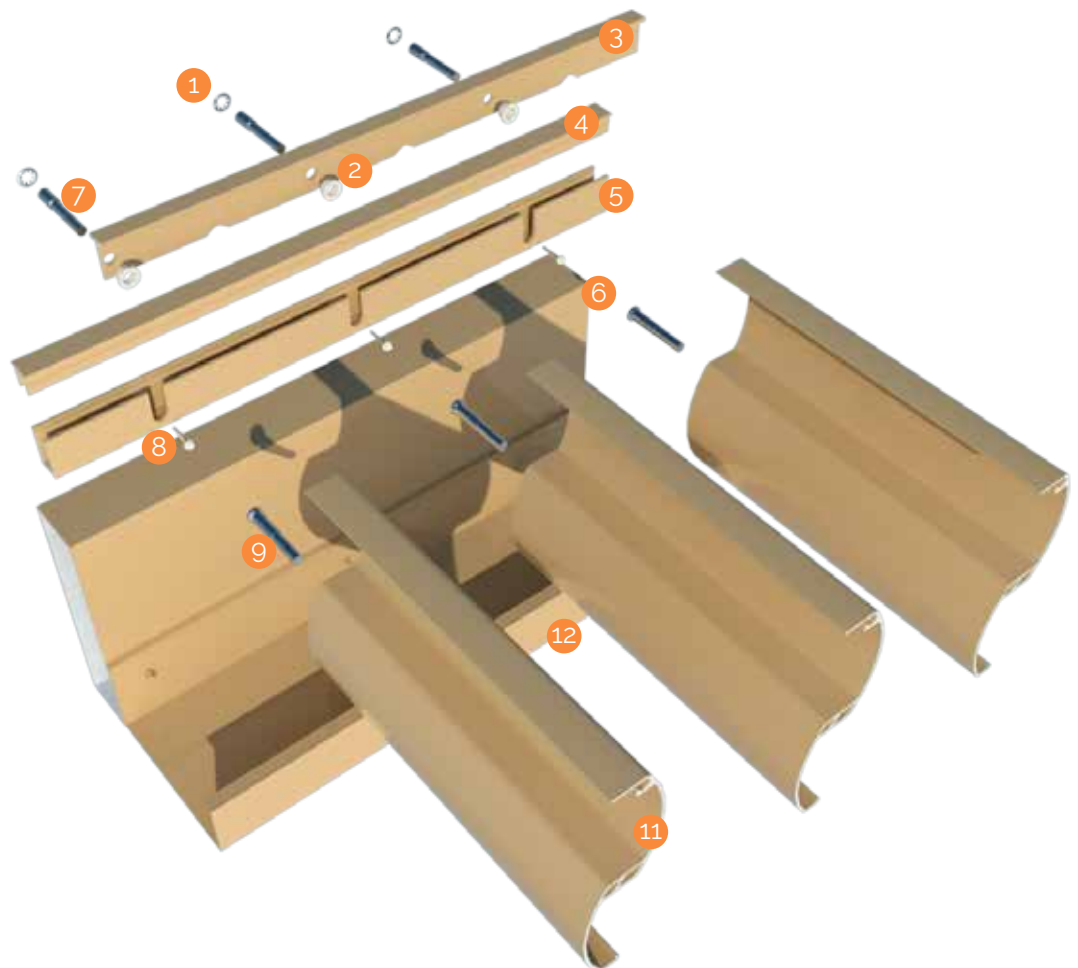


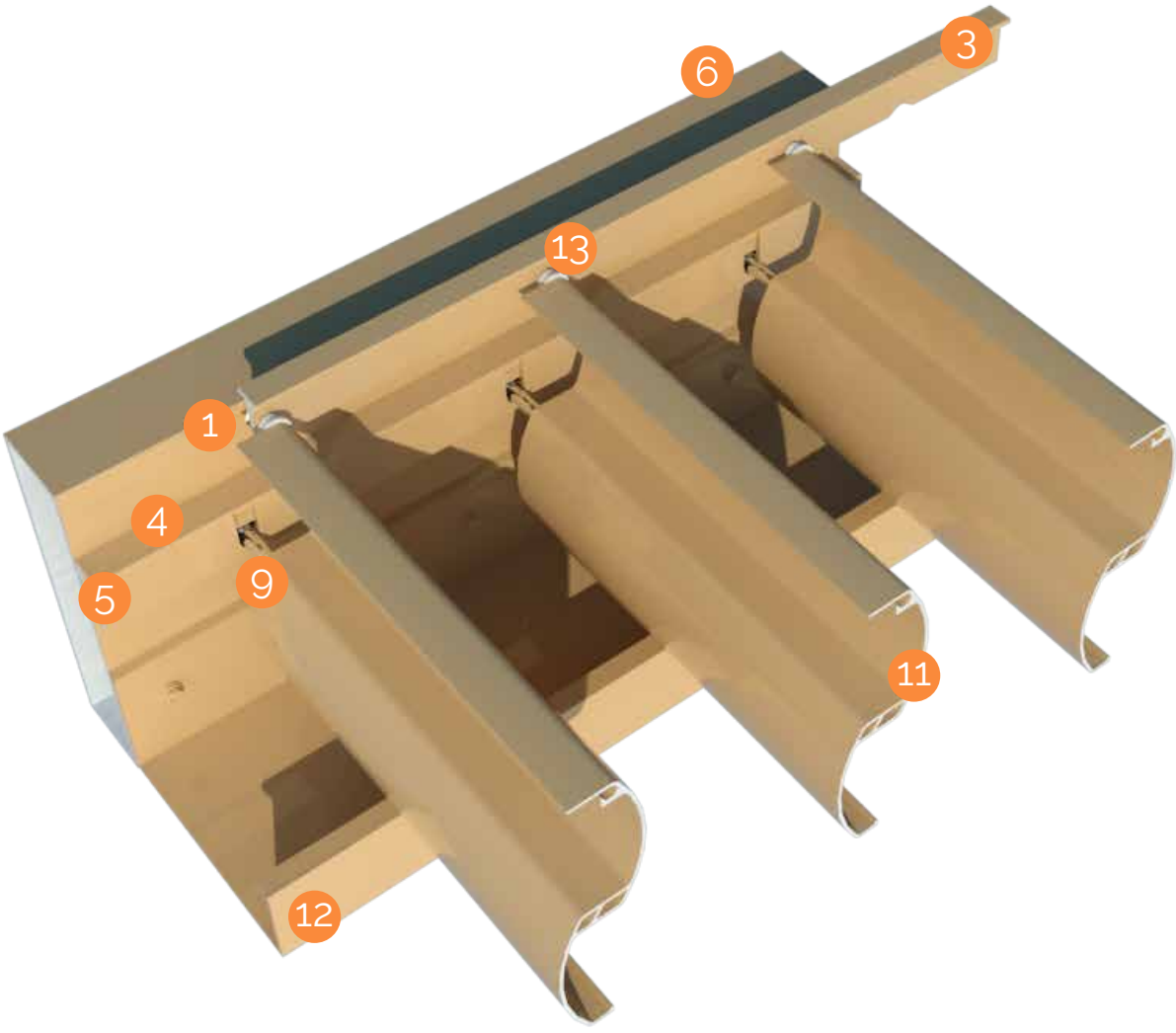
Fan to be selected and provided by client or designer. Outdoor rated fans must be selected and come in a variety to options (aluminum fan, wood fan, plastic fan, with or without lighting)

How It All Fits Together

/ PIVOT LOUVERS

- 1 Push nut
- 2 Nylon washer
- 3 Track Bar
- 4 Pivot Bar CAP
- 5 Pivot Bar
- 6 Perimeter Beam
- 7 Link Bar pin
- 8 Tek Screws
- 9 Pivot pin
- 10 Tek Screws
- 11 Louver
- 12 Perimeter Gutter
- 13 Link Bar pin with Nylon washer

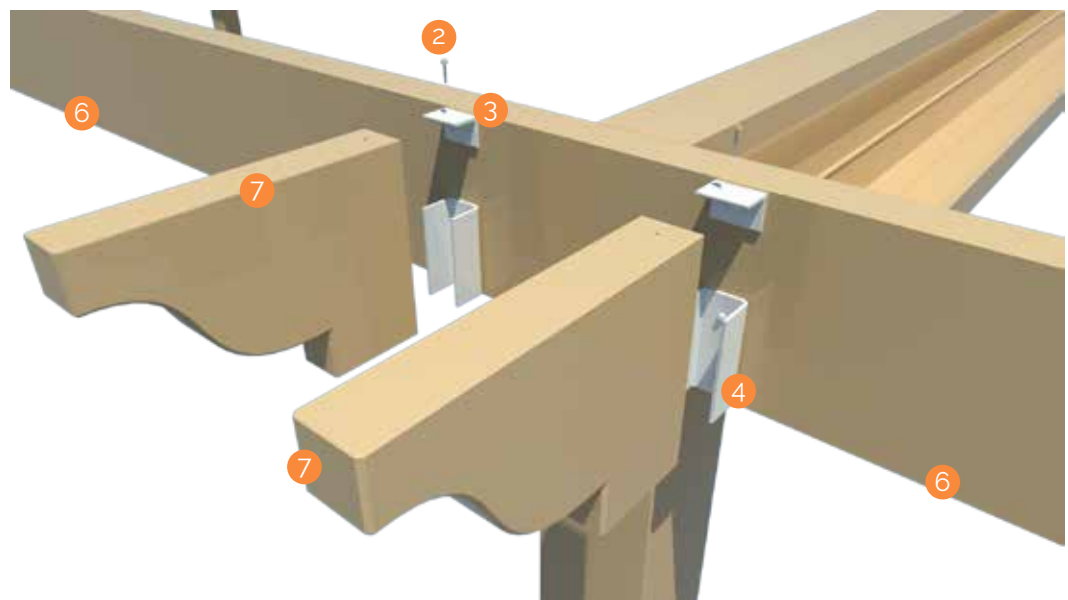
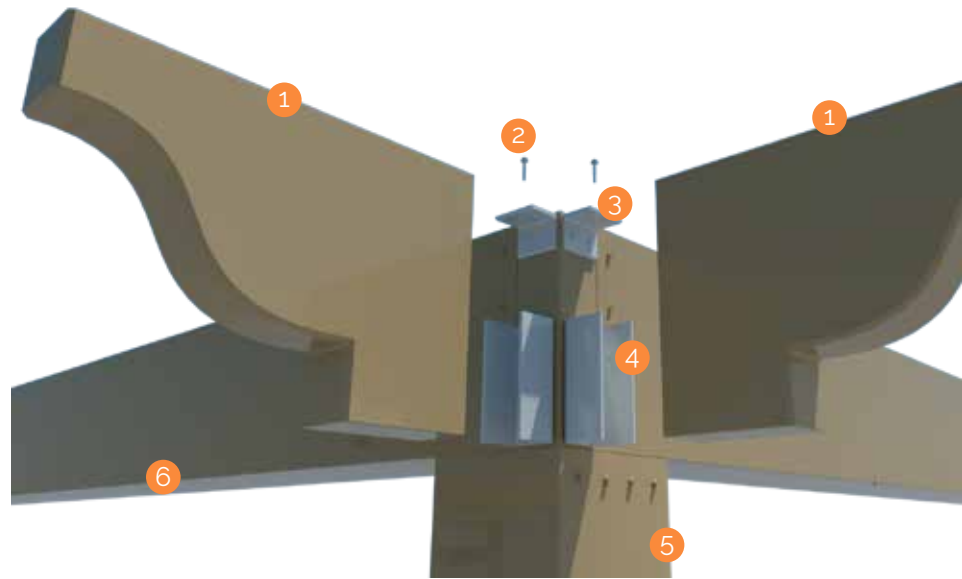


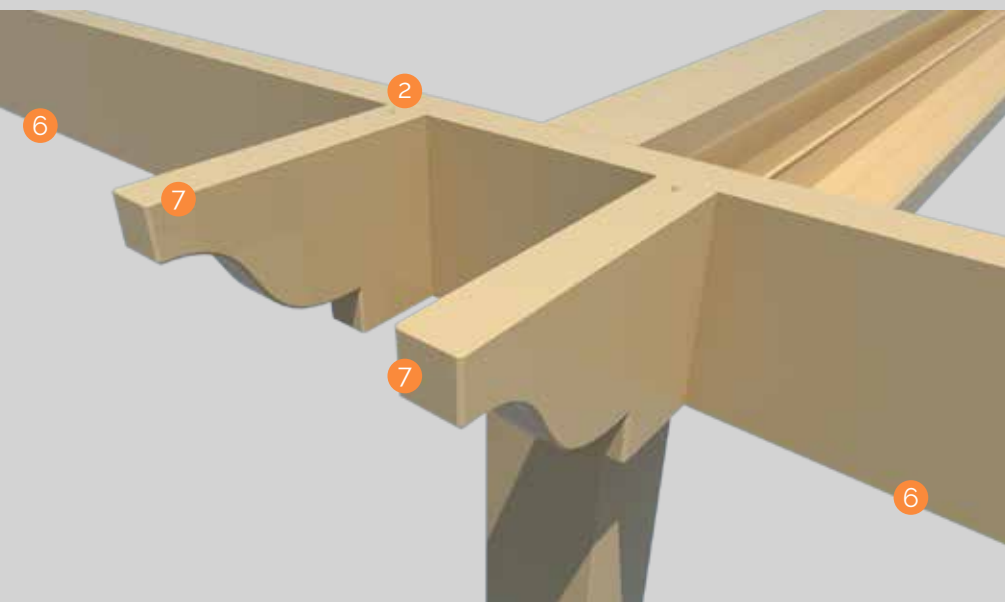
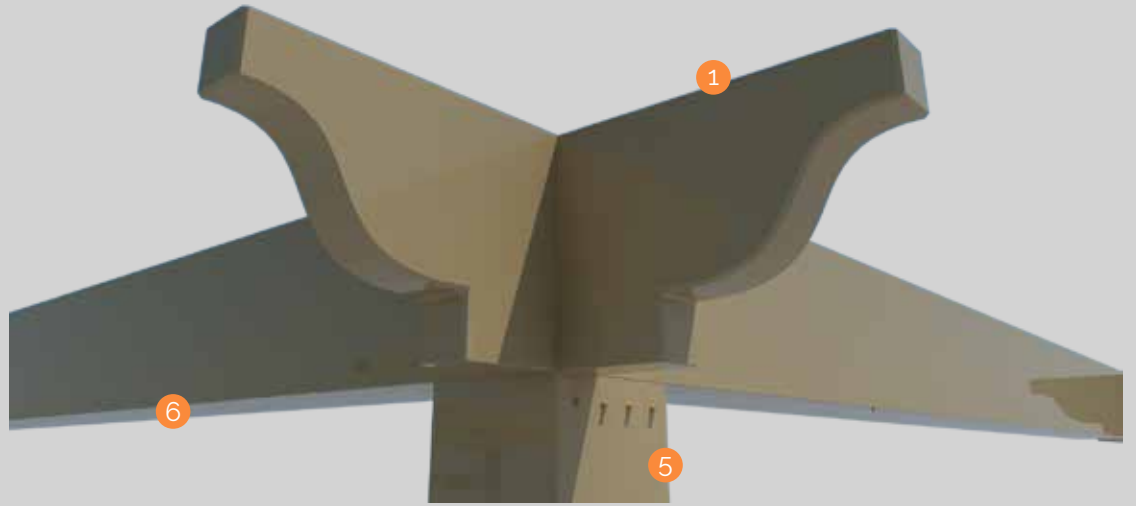


How It All Fits Together

/ CORBELS

- ① Corbel
- ② Tek Screws
- ③ L-angle
- ④ U-channel
- ⑤ Post
- ⑥ Perimeter Beam
- ⑦ DBL Corbels





How It All Fits Together

/ PERIMETER BEAM TO HOST STRUCTURE "WOODEN BEAM"

- 1 Lags thru beam
- 2 Wood framed wall
- 3 Strong beam
- 4 Perimeter Beam
- 5 Lags thru Perimeter Beam

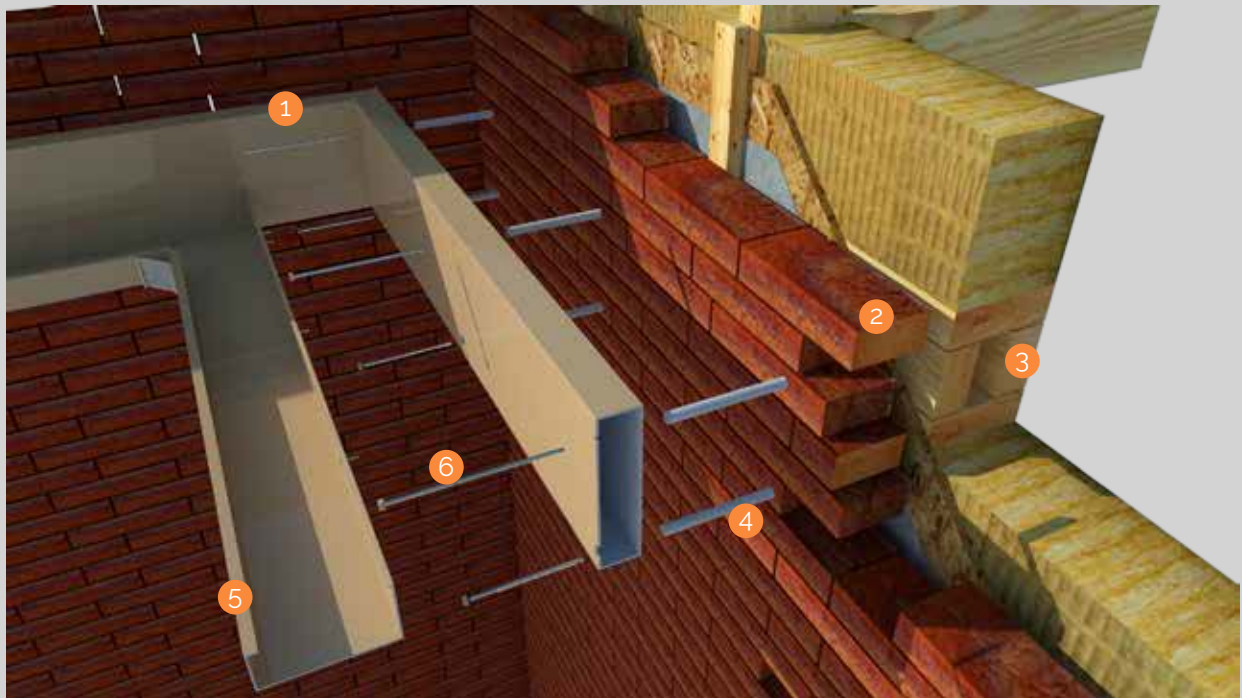


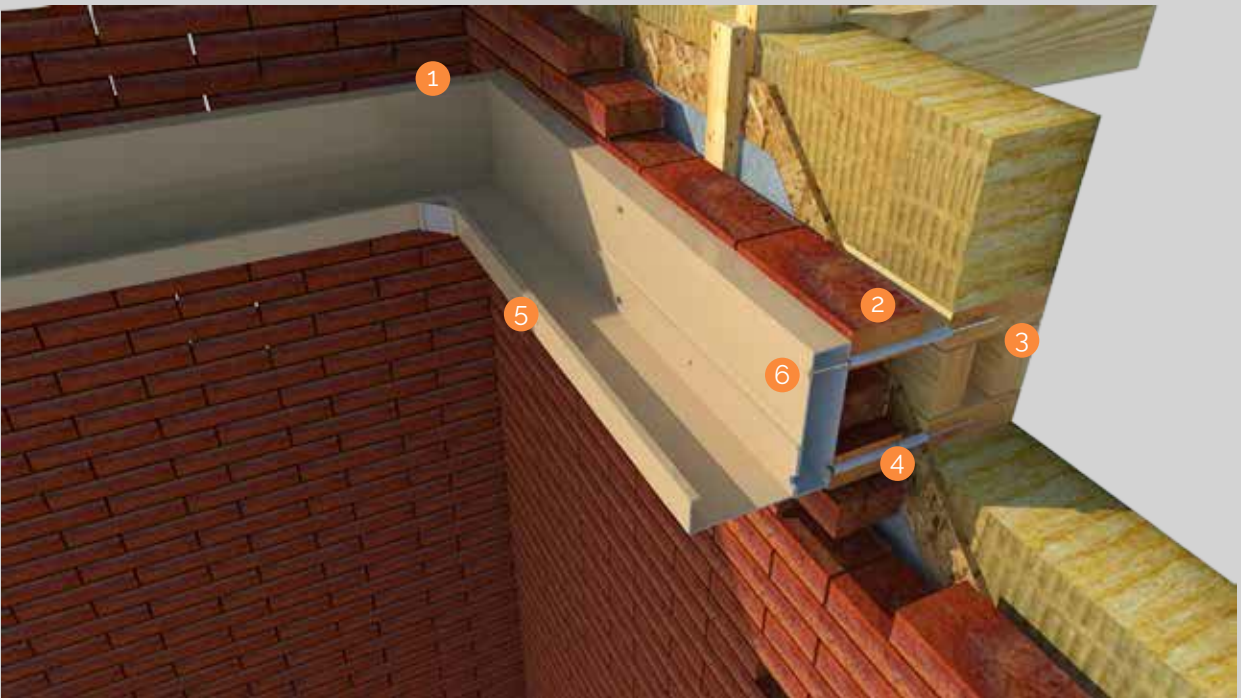


How It All Fits Together

/ PERIMETER BEAM TO HOST STRUCTURE "BRICK WALL"

- 1 Louvers frame
- 2 Brick wall
- 3 Strong beam
- 4 Compression sleeves
- 5 Gutters frame
- 6 Lags thru beam





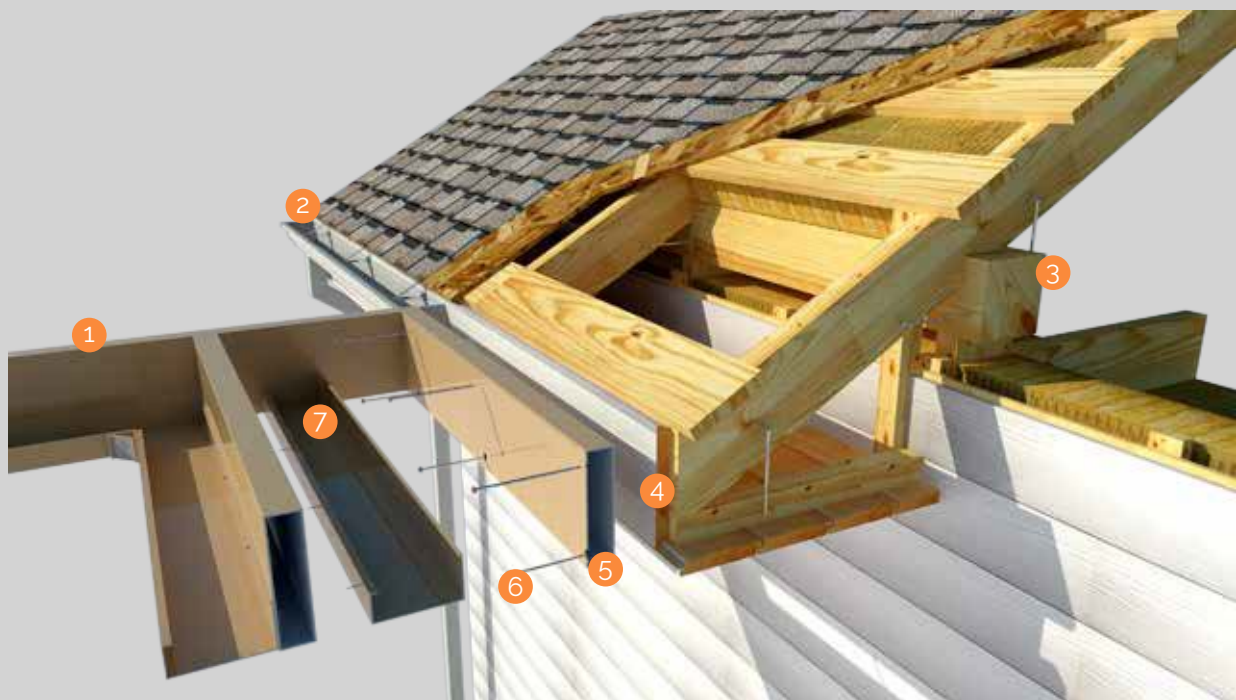
How It All Fits Together

/ PERIMETER BEAM TO HOST STRUCTURE "FASCIA"

- 1 Louvers frame
- 2 Existing gutter
- 3 Roof structure
- 4 Fascia
- 5 Beam
- 6 Lags thru beam
- 7 Gutter
- 8 Beam Spacer:
Beam from Louvers frame
Gutter
Beam

IMPORTANT NOTE:

Louver motor requires a minimum 15" clearance to host structure in order to allow full range of motion for louver operation.



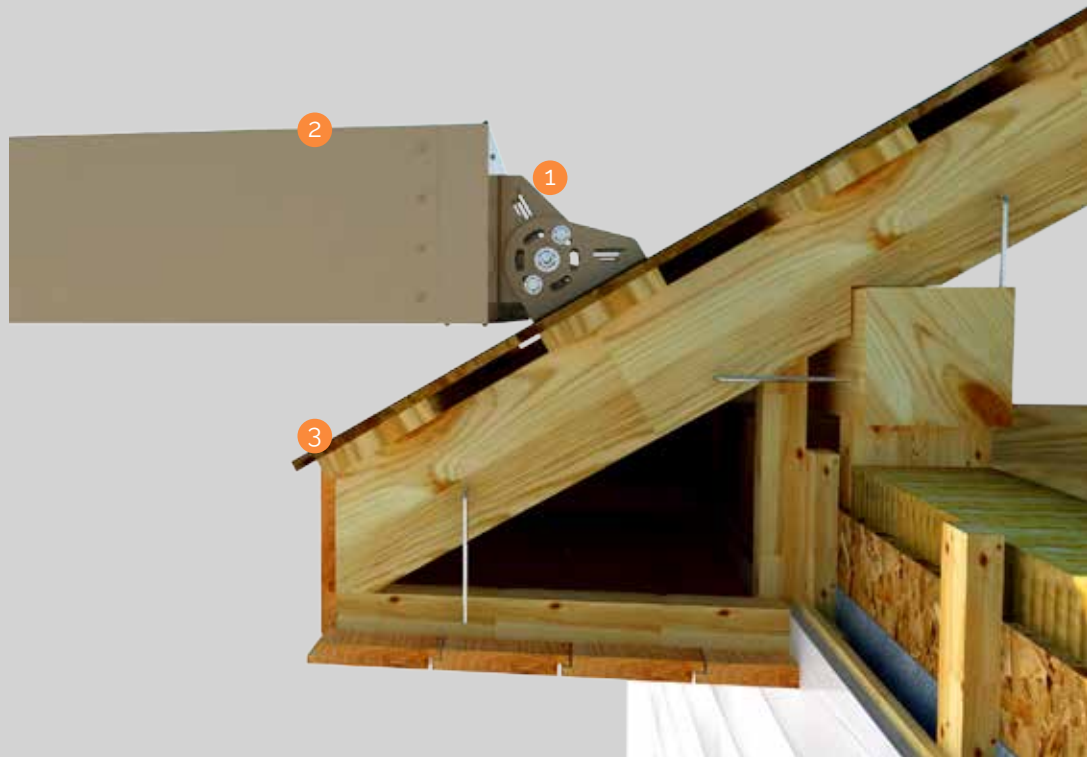


How It All Fits Together

/ PERIMETER BEAM TO HOST STRUCTURE "ROOF"

- 1 Roof Mount Bracket
- 2 Louvers frame
- 3 Roof structure
- 4 Axle bolt
- 5 Locking bolt



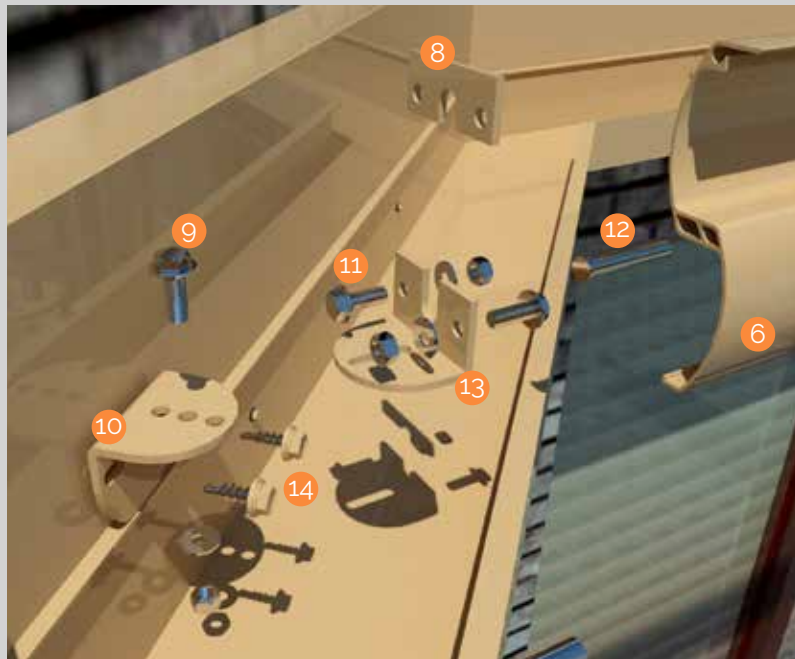
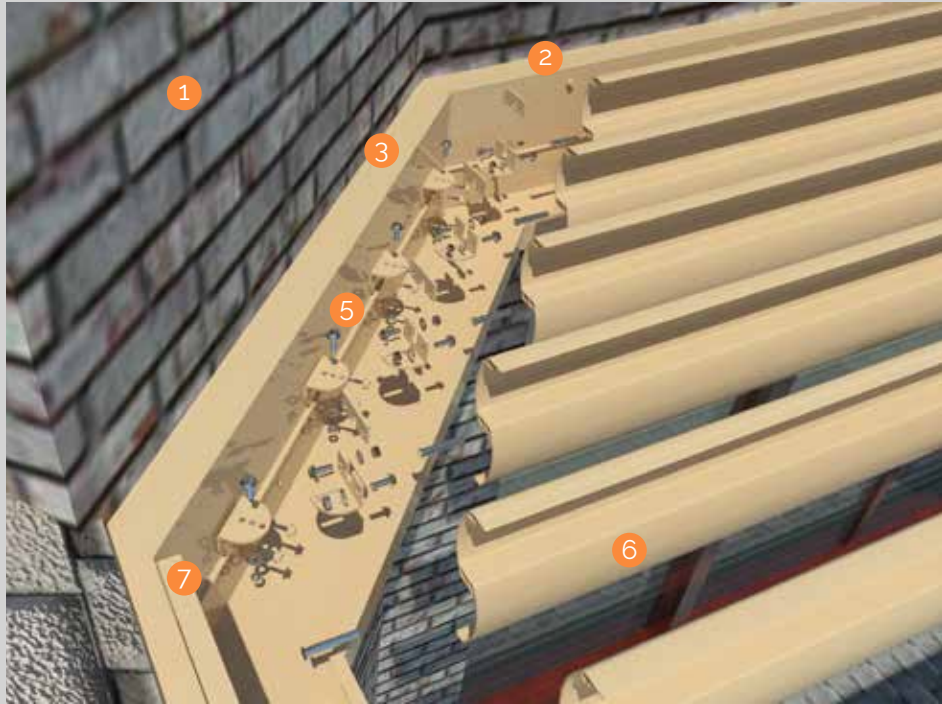


How It All Fits Together

/ LOUVERS TO HOST STRUCTURE "ANGLE BEAM"

- 1 Angle Wall
- 2 Perimeter Beam
- 3 Angle Beam
- 4 Angle bracket
- 5 Angle Gutter
- 6 Louver
- 7 Pivot Bar CAP
- 8 Clamping plate
- 9 Axle bolt
- 10 Support
- 11 Locking bolt
- 12 Pivot pin
- 13 Swivel head
- 14 Tek Screws

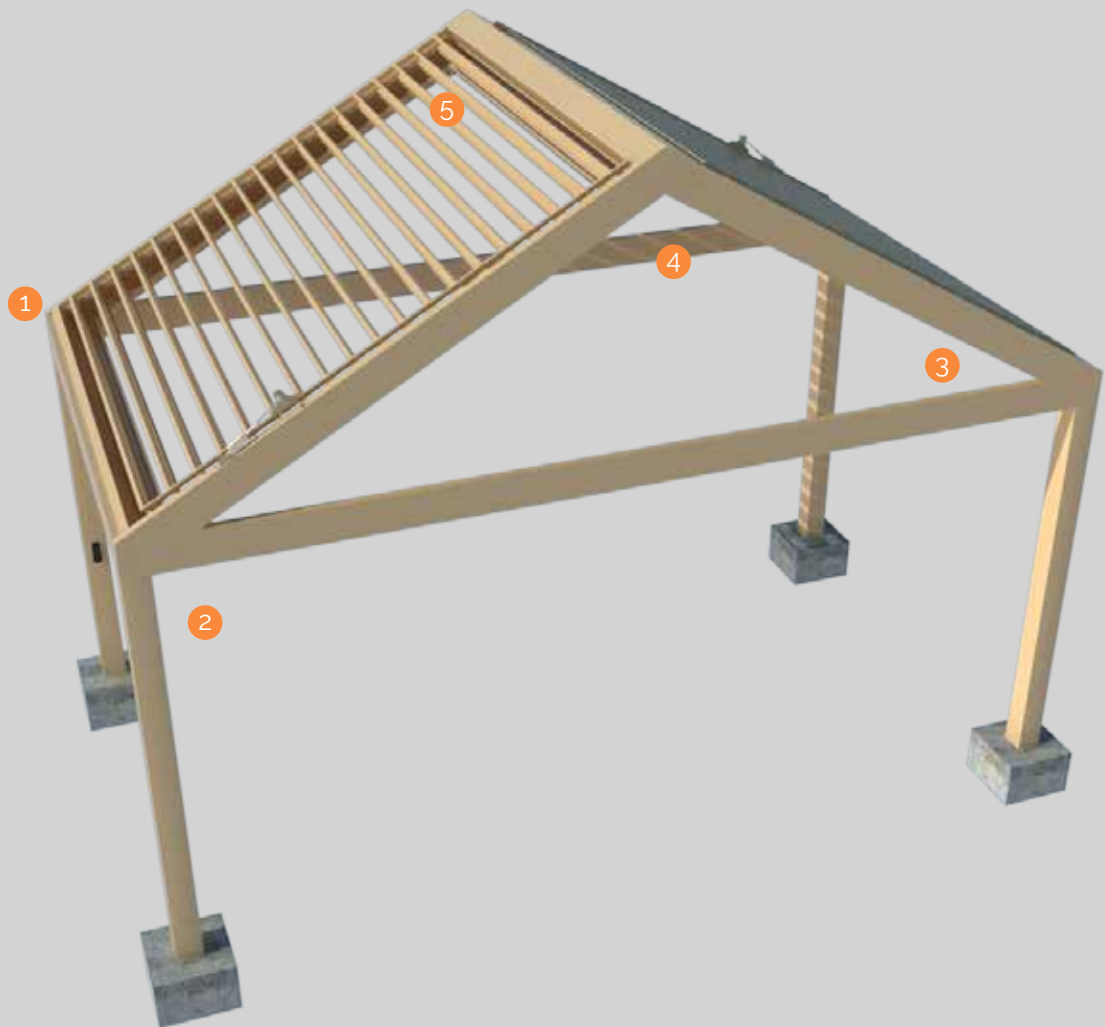




How It All Fits Together

/ GABLE SYSTEM /DISASSEMBLY/

- 1 Corner assembly (Top).....76
- 2 Corner assembly (Outside).....78
- 3 Corner assembly (Inside).....78
- 4 Ridge connections (Outside).....80
- 5 Ridge connections (Inside).....80

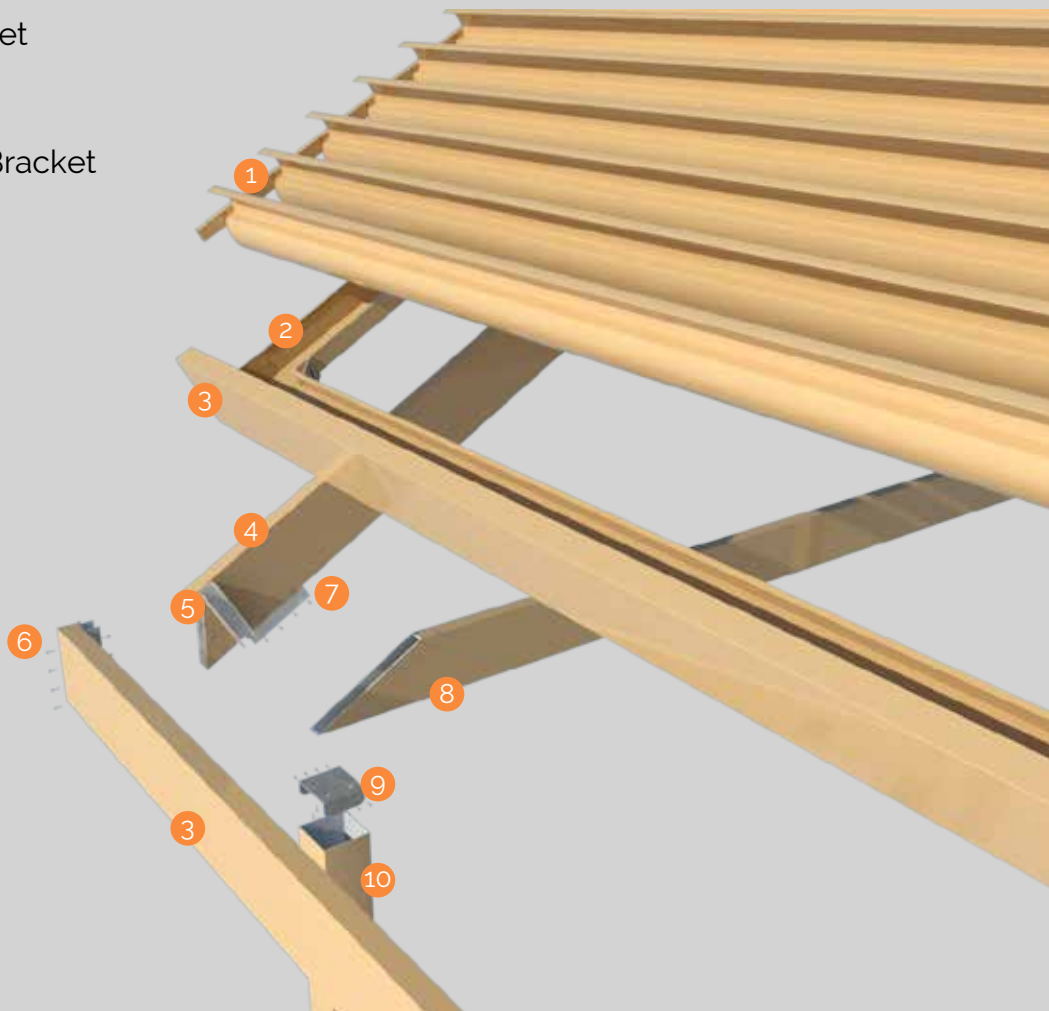




How It All Fits Together

/ GABLE SYSTEM / CORNER ASSEMBLY (TOP)

- 1 Louvers system
- 2 Gutters system
- 3 Perimeter Beam
- 4 Rafter
- 5 Beam to Beam Connector
- 6 Tek Screws
- 7 Collar tie bracket
- 8 Collar tie
- 9 Beam to Post Bracket
- 10 Post

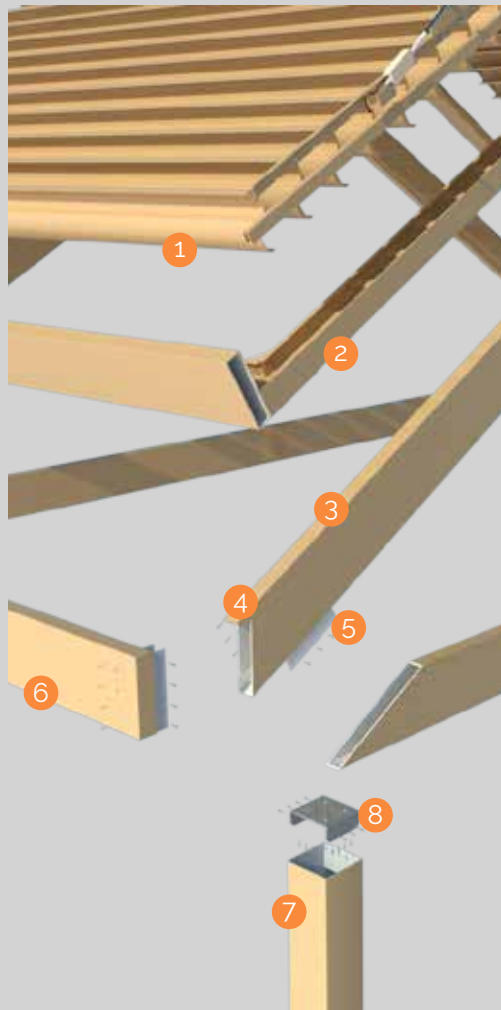




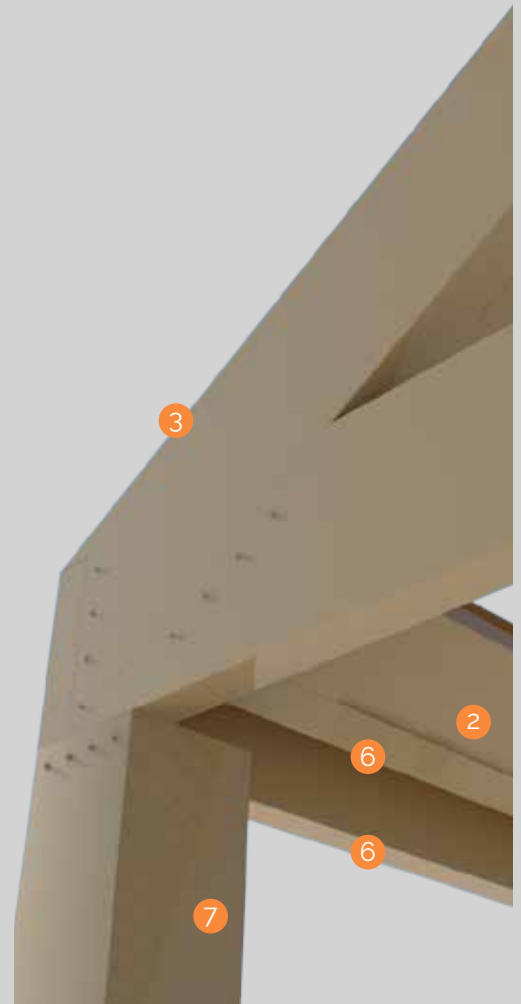
How It All Fits Together

/ GABLE SYSTEM /CORNER ASSEMBLY (OUTSIDE/INSIDE)

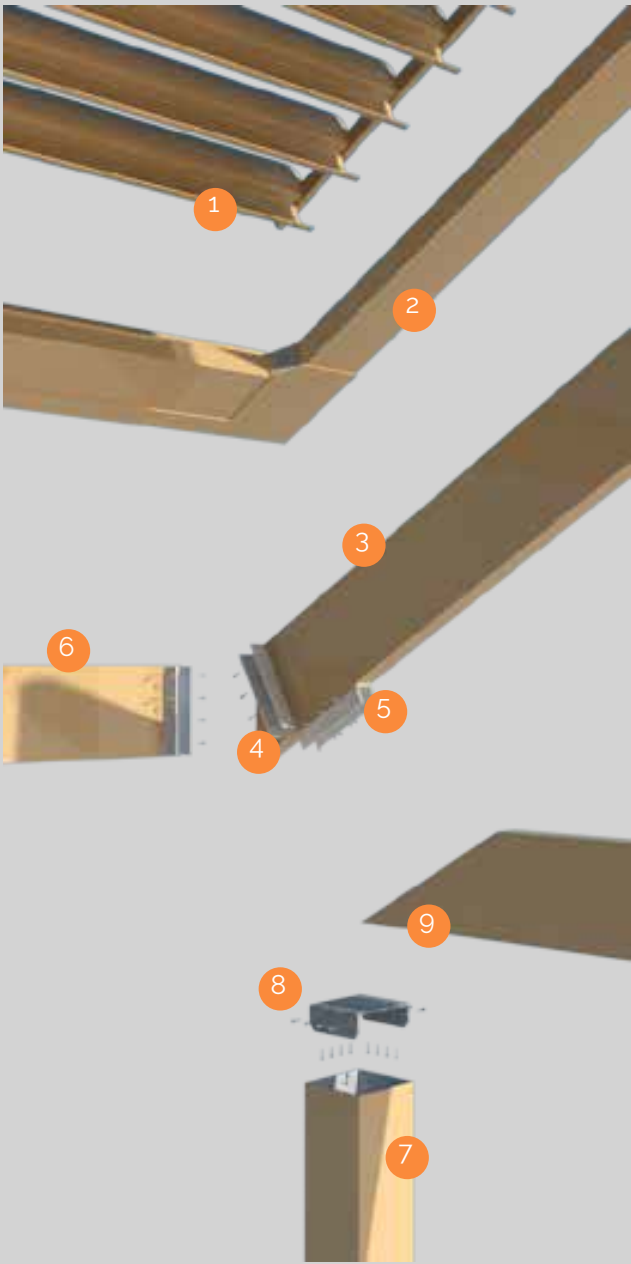
- 1 Louvers system
- 2 Gutters system
- 3 Rafter
- 4 Beam to Beam Connector
- 5 Collar tie bracket
- 6 Perimeter Beam
- 7 Post
- 8 Beam to Post Bracket
- 9 Collar tie



Outside



Outside



Inside

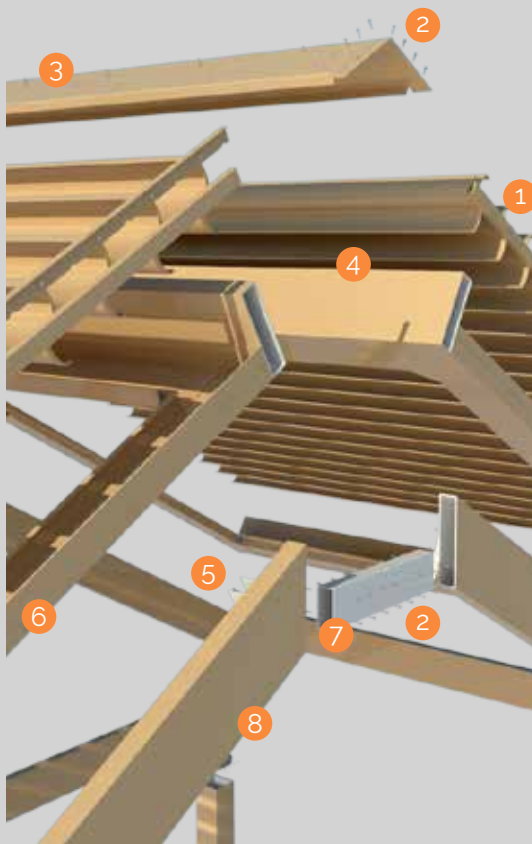


Inside

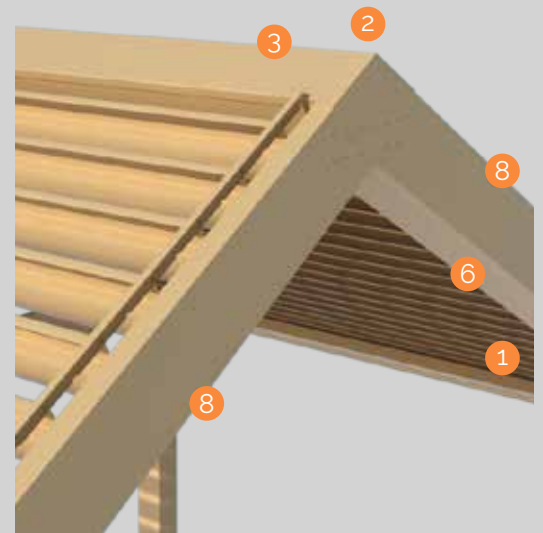
How It All Fits Together

/ GABLE SYSTEM / RIDGE CONNECTIONS (OUTSIDE/INSIDE)

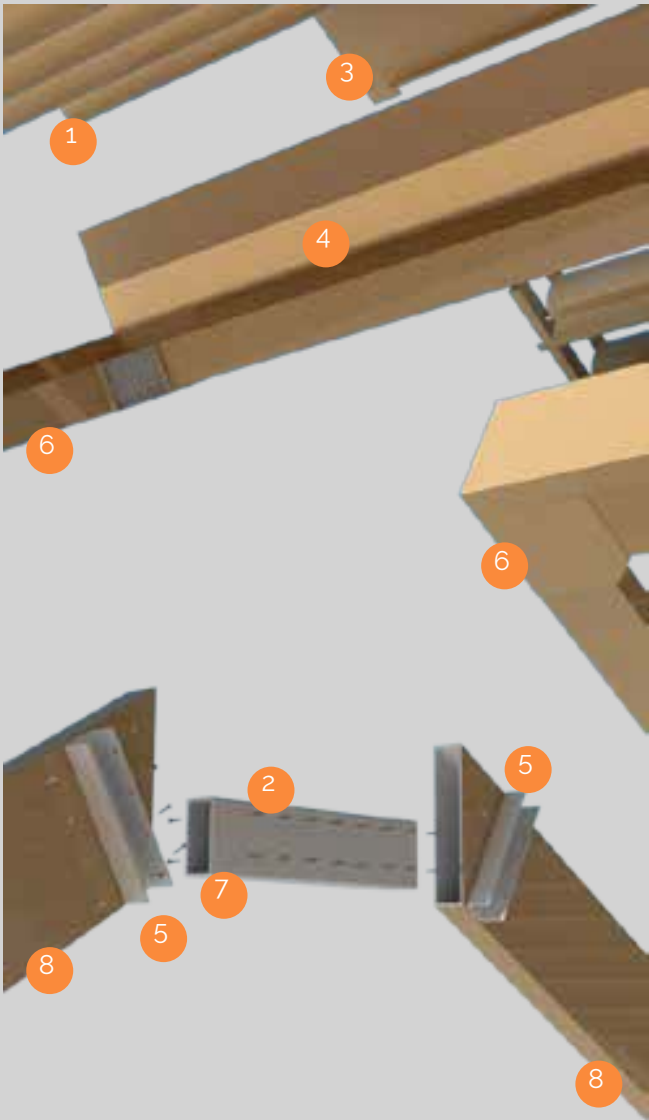
- 1 Louvers System
- 2 Tek Screws
- 3 Ridge Cap (not provided in kit)
- 4 Interior Beam
- 5 Beam to Beam Connector
- 6 Gutters System
- 7 Splice Tube
- 8 Rafter



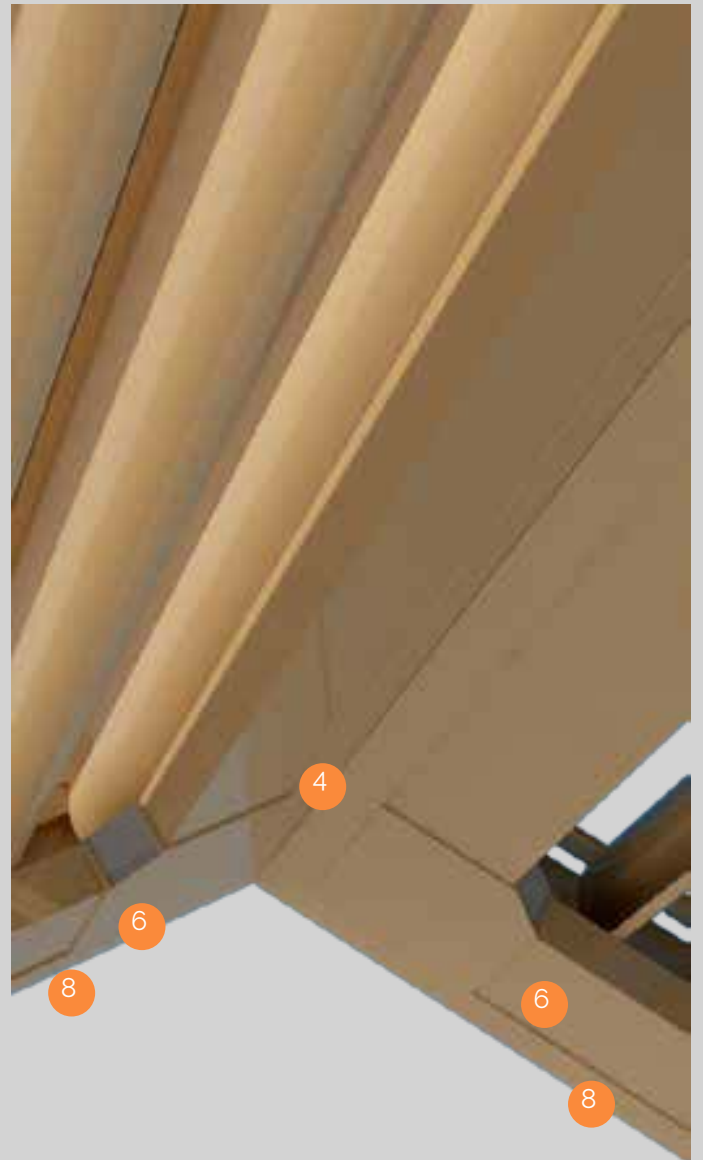
Outside



Outside



Inside



Inside

How It All Fits Together

/ SLIDE SYSTEM

- 1 Slide Track
- 2 Typical Beam Construction
- 3 Slide Frame (closed) including:
 - Beams frame (with CARTRIDGE INSERTS FOR BOTH DRIVEN AND NONE DRIVEN ROLLERS)
 - Gutters system
 - Louvers system
 - Cornice

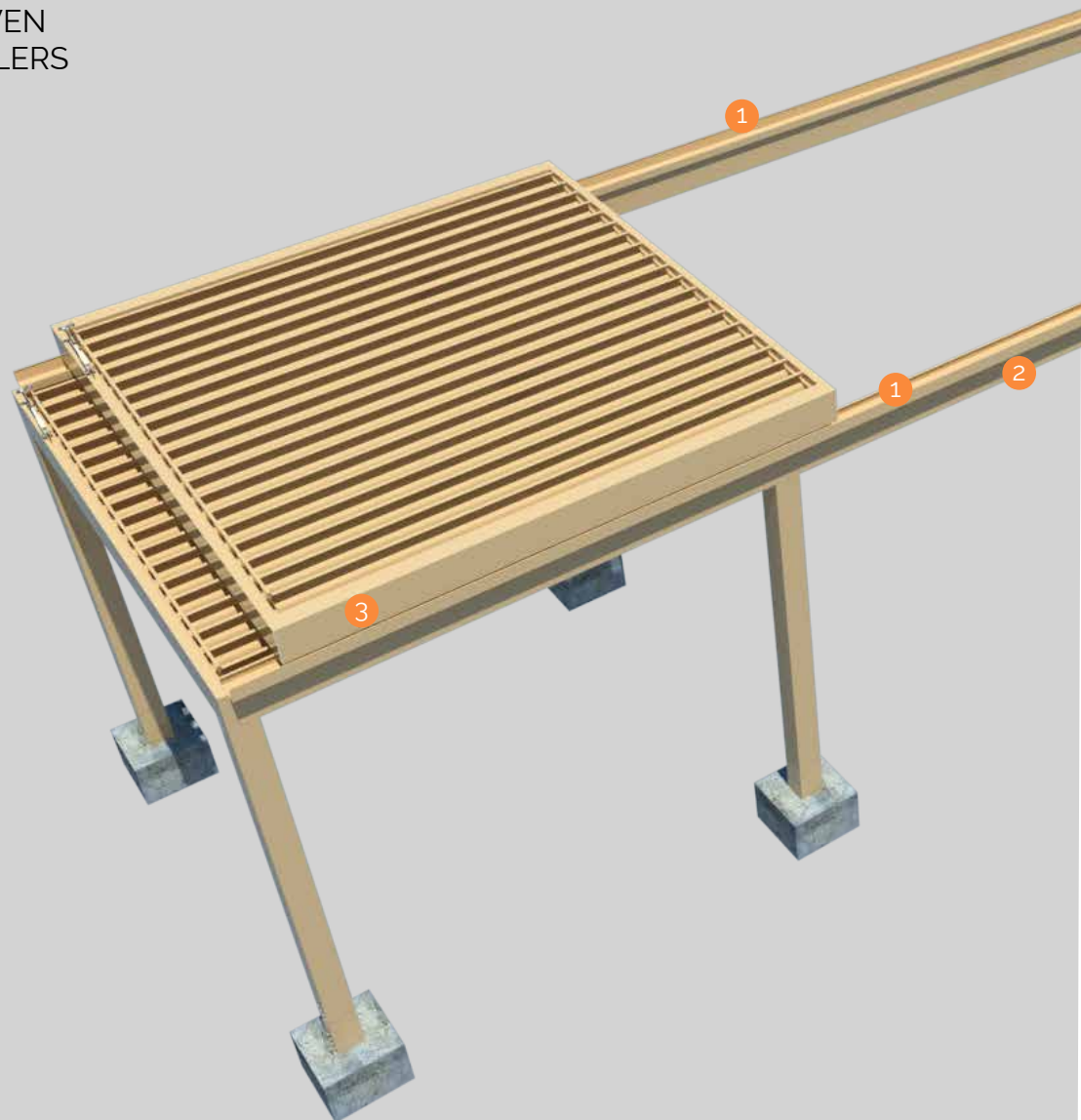




How It All Fits Together

/ SLIDE SYSTEM

- 1 Slide Track
- 2 Typical Beam Construction
- 3 Slide Frame (open)
- 4 Slide Frame (open) including:
 - Beams frame (with CARTRIDGE INSERTS FOR BOTH DRIVEN AND NONE DRIVEN ROLLERS)
 - Gutters system
 - Louvers system
 - Cornice





How It All Fits Together

/ SLIDE SYSTEM

- 1 Slide Track
- 2 Typical Beam Construction
- 3 Slide Frame (closed) including:
 - Beams frame (with CARTRIDGE INSERTS FOR BOTH DRIVEN AND NONE DRIVEN ROLLERS)
 - Gutters system
 - Louvers system
 - Cornice
- 5 Slide Frame (open)
- 6 Slide Frame (open) including:
 - Beams frame (with CARTRIDGE INSERTS FOR BOTH DRIVEN AND NONE DRIVEN ROLLERS)
 - Gutters system
 - Louvers system
 - Cornice









For more information on StruXure
Outdoor CAD Details, StruXure
Outdoor 3 Part and 10 Part Specs,
or assistance with a design or
quote, please email us at
Info@StruXure.com

STRUXURE™
OUTDOOR

800.303.5248 / INFO@STRUXURE.COM / STRUXURE.COM