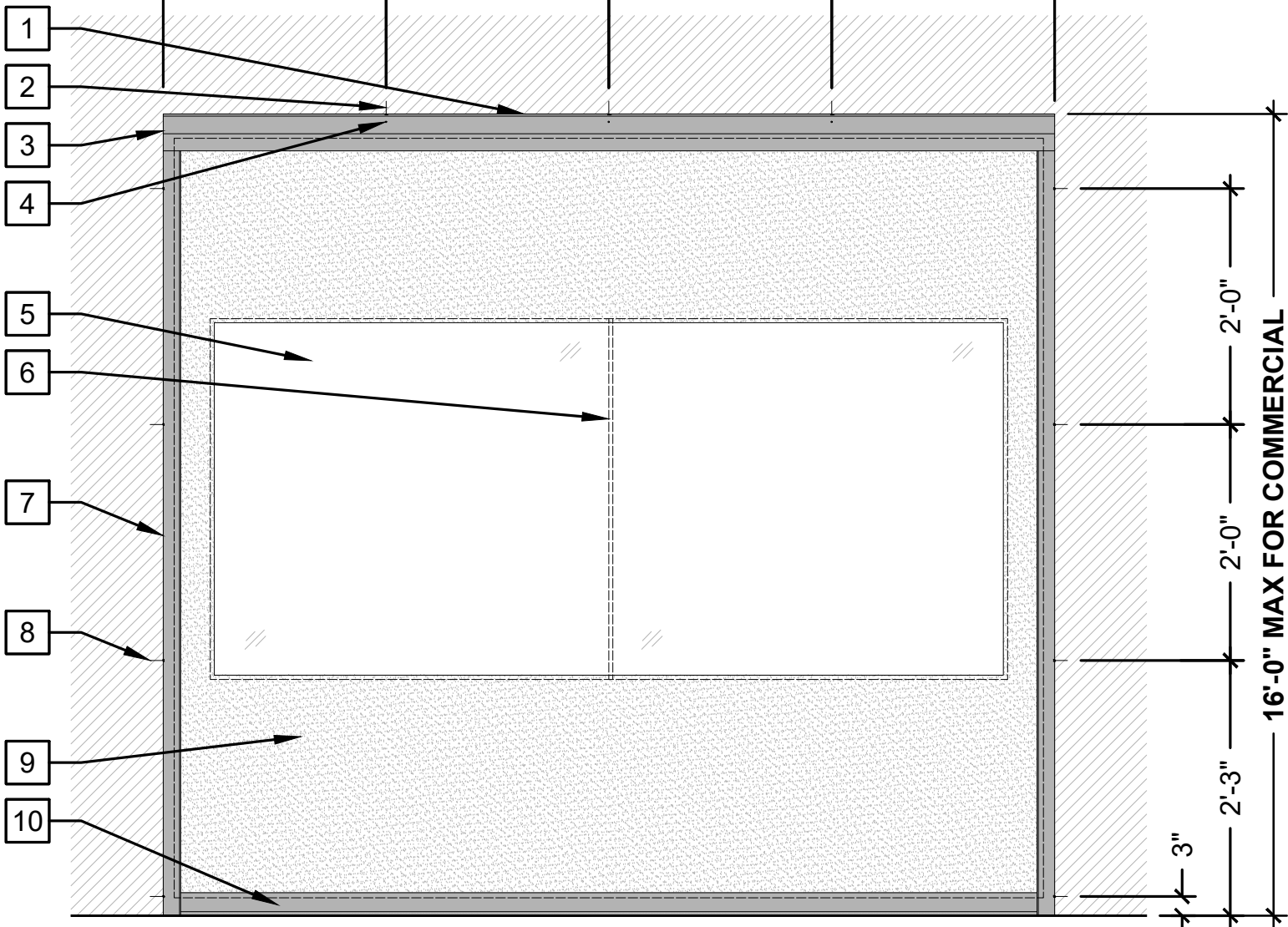


26'-0" MAX FOR COMMERCIAL

NOTE: APPROXIMATE SPACING

2'-0" 2'-0" 2'-0" 2'-0"



1. HOUSING UNIT
2. HOUSING ATTACHMENT SCREWS (IUH)
3. MOUNTING BRACKET AT EACH END
4. HOUSING ATTACHMENT SCREWS (OAH)
5. VINYL WINDOW (OPTIONAL)
6. WELDED SEAM
7. SIDE MAGNATRACK
8. SIDE MAGNATRACK ATTACHMENT SCREWS
9. SCREEN
10. WEIGHTED BAR

NOTE

5 1/2" HOUSING (MAX 240" WIDE / 132" TALL)
 7" HOUSING (OVER 240"-300"
 WIDE OR OVER 132" - 192" TALL)

***SUBJECT TO CHANGE WITHOUT NOTICE**

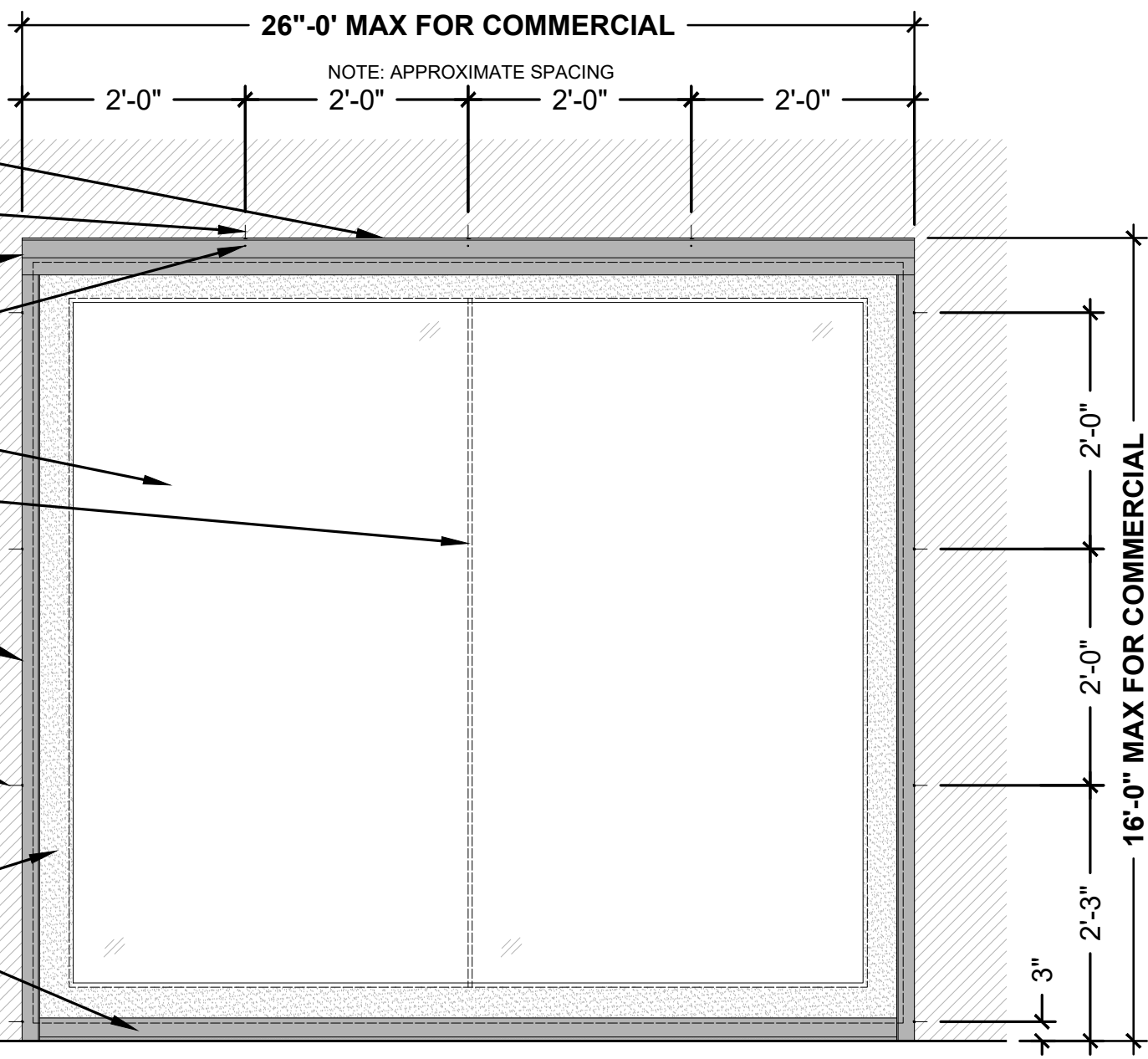
HOUSING END CAPS OR MOUNTING BRACKETS MUST BE SECURED PROPERLY AS THEY ARE THE LOAD BEARING POINTS OF THE SYSTEM. CENTER OF HOUSING ONLY NEED TO BE SECURED AS DEEMED NECESSARY TO STABILIZE HOUSING COVER. **NEVER PLACE FASTENERS IN THE MIDDLE OF HOUSING (TOP OR BACK)**

Date: 02.25.22

Drawn by: AGL

WHILE EVERY ATTEMPT HAS BEEN MADE IN THE PREPARATION OF THESE DRAWINGS TO AVOID MISTAKE, THE DESIGNER CANNOT GUARANTEE AGAINST HUMAN ERROR. PRIOR TO THE COMMENCEMENT OF ANY WORK, CONTRACTOR/OWNER MUST VERIFY ALL CONDITIONS AND DIMENSIONS AT JOB SITE. THE CONTRACTOR/OWNER SHALL REPORT ALL DISCREPANCIES BETWEEN DRAWINGS AND EXISTING CONDITIONS TO THE DESIGNER PRIOR TO COMMENCING WORK.

1 ELEVATION VIEW
 SCALE: 1/2" = 1'-0"



- | |
|--------------------------------------|
| 1. HOUSING UNIT |
| 2. HOUSING ATTACHMENT SCREWS (IUH) |
| 3. MOUNTING BRACKET AT EACH END |
| 4. HOUSING ATTACHMENT SCREWS (OAH) |
| 5. VINYL WINDOW (OPTIONAL) |
| 6. WELDED SEAM |
| 7. SIDE MAGNATRACK |
| 8. SIDE MAGNATRACK ATTACHMENT SCREWS |
| 9. SCREEN |
| 10. WEIGHTED BAR |

NOTE

5 1/2" HOUSING (MAX 240" WIDE / 132" TALL)
 7" HOUSING (OVER 240"-300"
 WIDE OR OVER 132" - 192" TALL)

***SUBJECT TO CHANGE WITHOUT NOTICE**

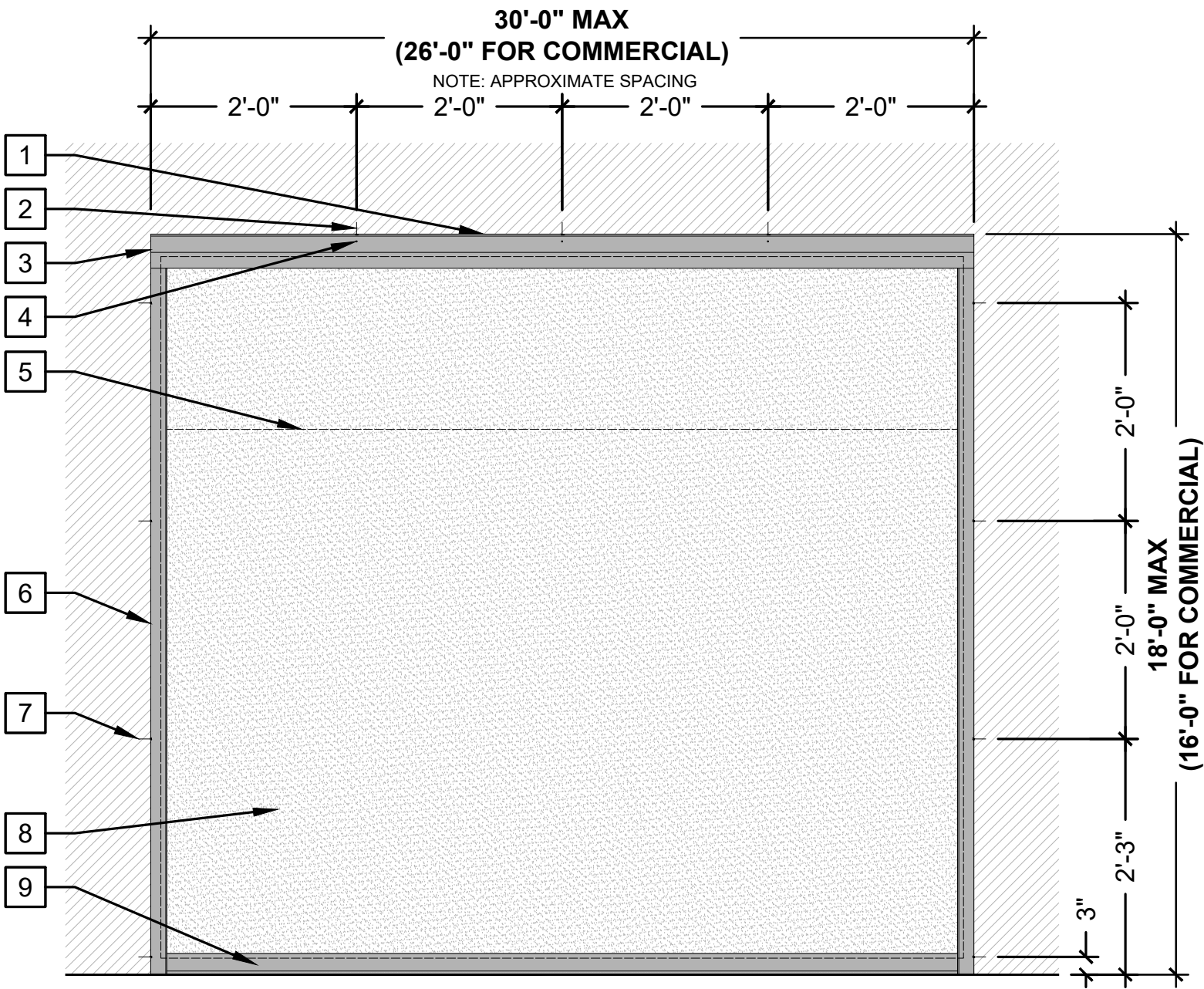
HOUSING END CAPS OR MOUNTING BRACKETS MUST BE SECURED PROPERLY AS THEY ARE THE LOAD BEARING POINTS OF THE SYSTEM. CENTER OF HOUSING ONLY NEED TO BE SECURED AS DEEMED NECESSARY TO STABILIZE HOUSING COVER.
NEVER PLACE FASTENERS IN THE MIDDLE OF HOUSING (TOP OR BACK)

Date: 02.25.22

Drawn by: AGL

WHILE EVERY ATTEMPT HAS BEEN MADE IN THE PREPARATION OF THESE DRAWINGS TO AVOID MISTAKE, THE DESIGNER CANNOT GUARANTEE AGAINST HUMAN ERROR. PRIOR TO THE COMMENCEMENT OF ANY WORK, CONTRACTOR/OWNER MUST VERIFY ALL CONDITIONS AND DIMENSIONS AT JOB SITE. THE CONTRACTOR/OWNER SHALL REPORT ALL DISCREPANCIES BETWEEN DRAWINGS AND EXISTING CONDITIONS TO THE DESIGNER PRIOR TO COMMENCING WORK.

1 ELEVATION VIEW
 SCALE: 1/2" = 1'-0"



1. HOUSING UNIT
2. HOUSING ATTACHMENT SCREWS (IUH)
3. MOUNTING BRACKET AT EACH END
4. HOUSING ATTACHMENT SCREWS (OAH)
5. POSSIBLE SEAM OVER 120"
6. SIDE MAGNATRACK
7. SIDE MAGNATRACK ATTACHMENT SCREWS
8. SCREEN
9. WEIGHTED BAR

NOTE

5 1/2" HOUSING (MAX 240" WIDE / 132" TALL)
 7" HOUSING (OVER 240"-300"
 WIDE OR OVER 132" - 192" TALL)

***SUBJECT TO CHANGE WITHOUT NOTICE**

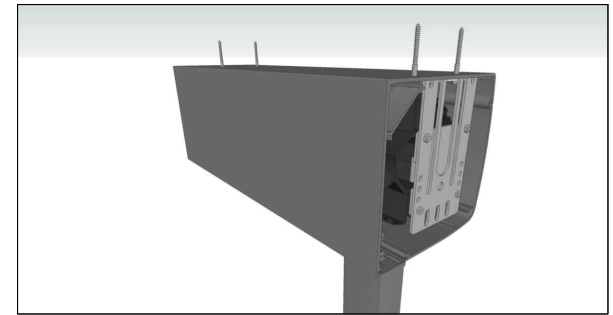
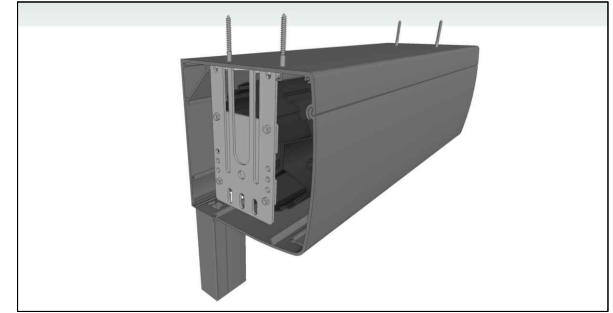
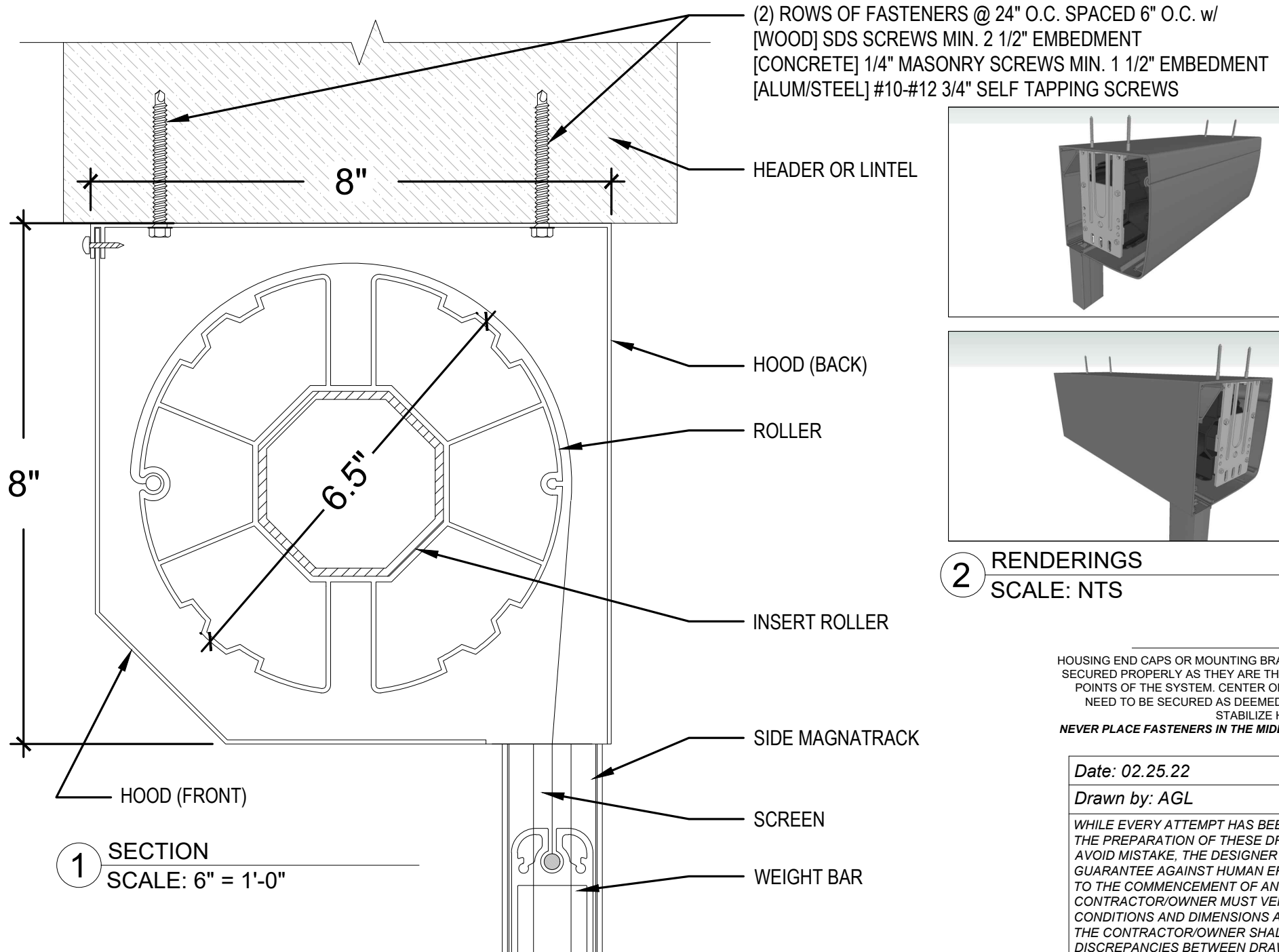
HOUSING END CAPS OR MOUNTING BRACKETS MUST BE SECURED PROPERLY AS THEY ARE THE LOAD BEARING POINTS OF THE SYSTEM. CENTER OF HOUSING ONLY NEED TO BE SECURED AS DEEMED NECESSARY TO STABILIZE HOUSING COVER. **NEVER PLACE FASTENERS IN THE MIDDLE OF HOUSING (TOP OR BACK)**

Date: 02.25.22

Drawn by: AGL

WHILE EVERY ATTEMPT HAS BEEN MADE IN THE PREPARATION OF THESE DRAWINGS TO AVOID MISTAKE, THE DESIGNER CANNOT GUARANTEE AGAINST HUMAN ERROR. PRIOR TO THE COMMENCEMENT OF ANY WORK, CONTRACTOR/OWNER MUST VERIFY ALL CONDITIONS AND DIMENSIONS AT JOB SITE. THE CONTRACTOR/OWNER SHALL REPORT ALL DISCREPANCIES BETWEEN DRAWINGS AND EXISTING CONDITIONS TO THE DESIGNER PRIOR TO COMMENCING WORK.

1 ELEVATION VIEW
 SCALE: 1/2" = 1'-0"

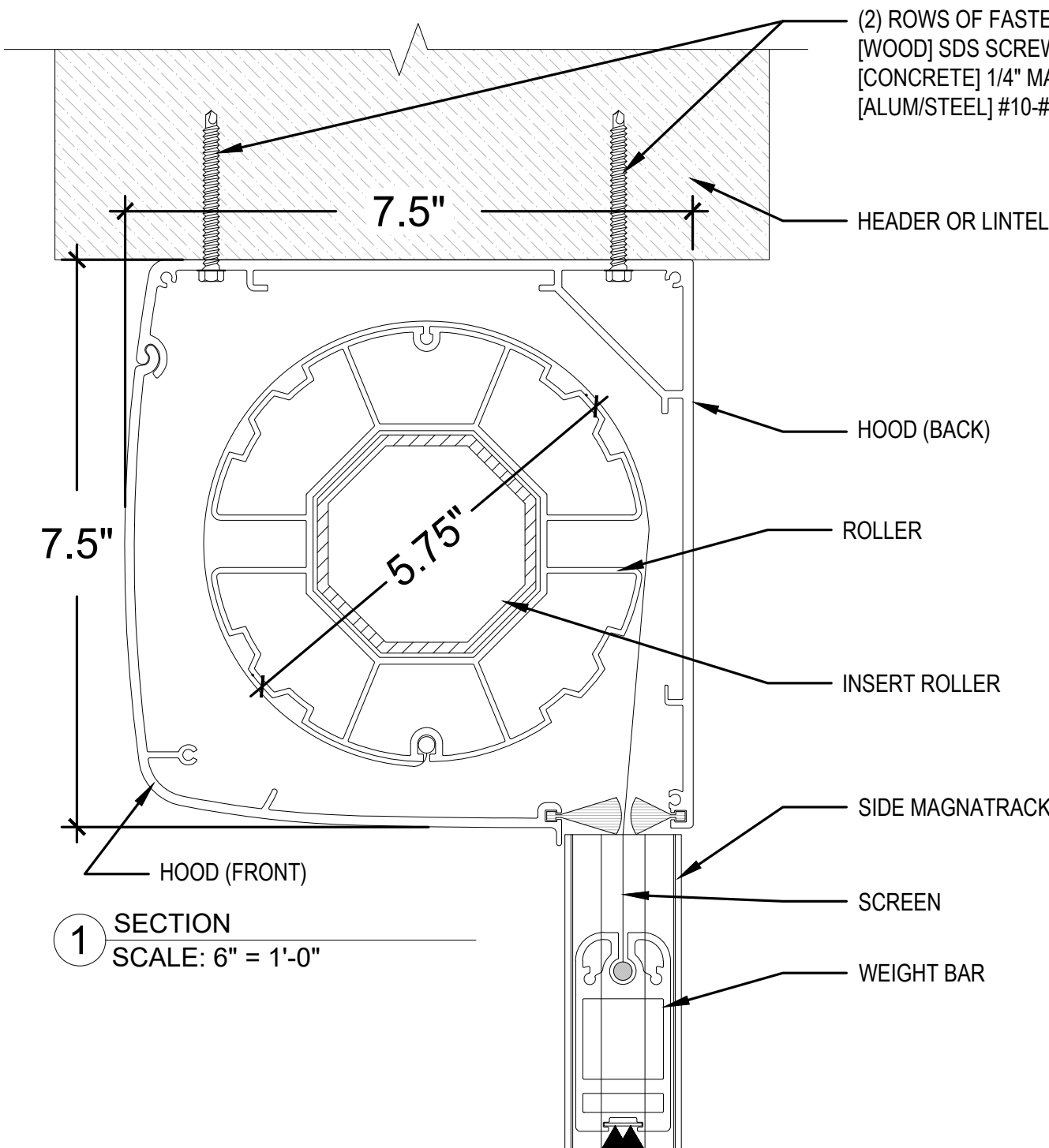


2 RENDERINGS
 SCALE: NTS

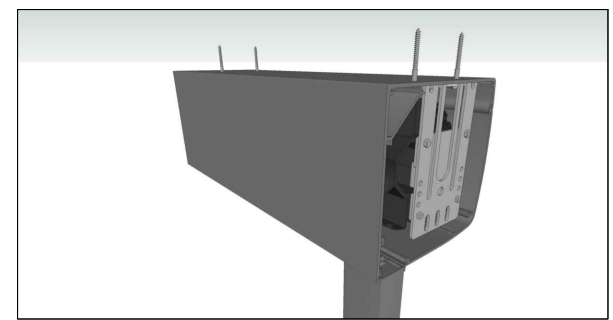
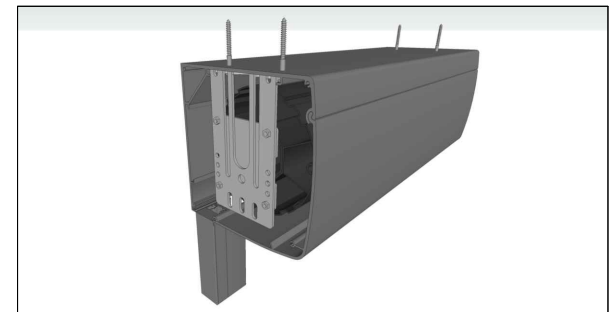
NOTE

HOUSING END CAPS OR MOUNTING BRACKETS MUST BE SECURED PROPERLY AS THEY ARE THE LOAD BEARING POINTS OF THE SYSTEM. CENTER OF HOUSING ONLY NEED TO BE SECURED AS DEEMED NECESSARY TO STABILIZE HOUSING COVER.
NEVER PLACE FASTENERS IN THE MIDDLE OF HOUSING (TOP OR BACK)

Date: 02.25.22
Drawn by: AGL
WHILE EVERY ATTEMPT HAS BEEN MADE IN THE PREPARATION OF THESE DRAWINGS TO AVOID MISTAKE, THE DESIGNER CANNOT GUARANTEE AGAINST HUMAN ERROR. PRIOR TO THE COMMENCEMENT OF ANY WORK, CONTRACTOR/OWNER MUST VERIFY ALL CONDITIONS AND DIMENSIONS AT JOB SITE. THE CONTRACTOR/OWNER SHALL REPORT ALL DISCREPANCIES BETWEEN DRAWINGS AND EXISTING CONDITIONS TO THE DESIGNER PRIOR TO COMMENCING WORK.



1 SECTION
 SCALE: 6" = 1'-0"



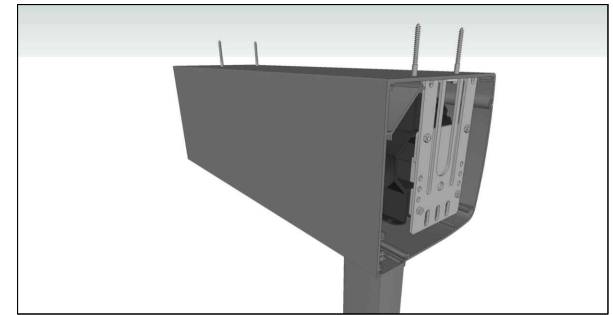
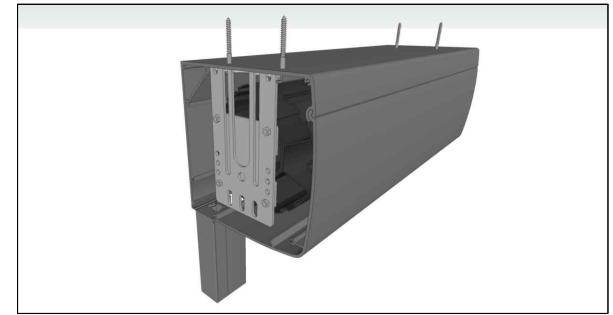
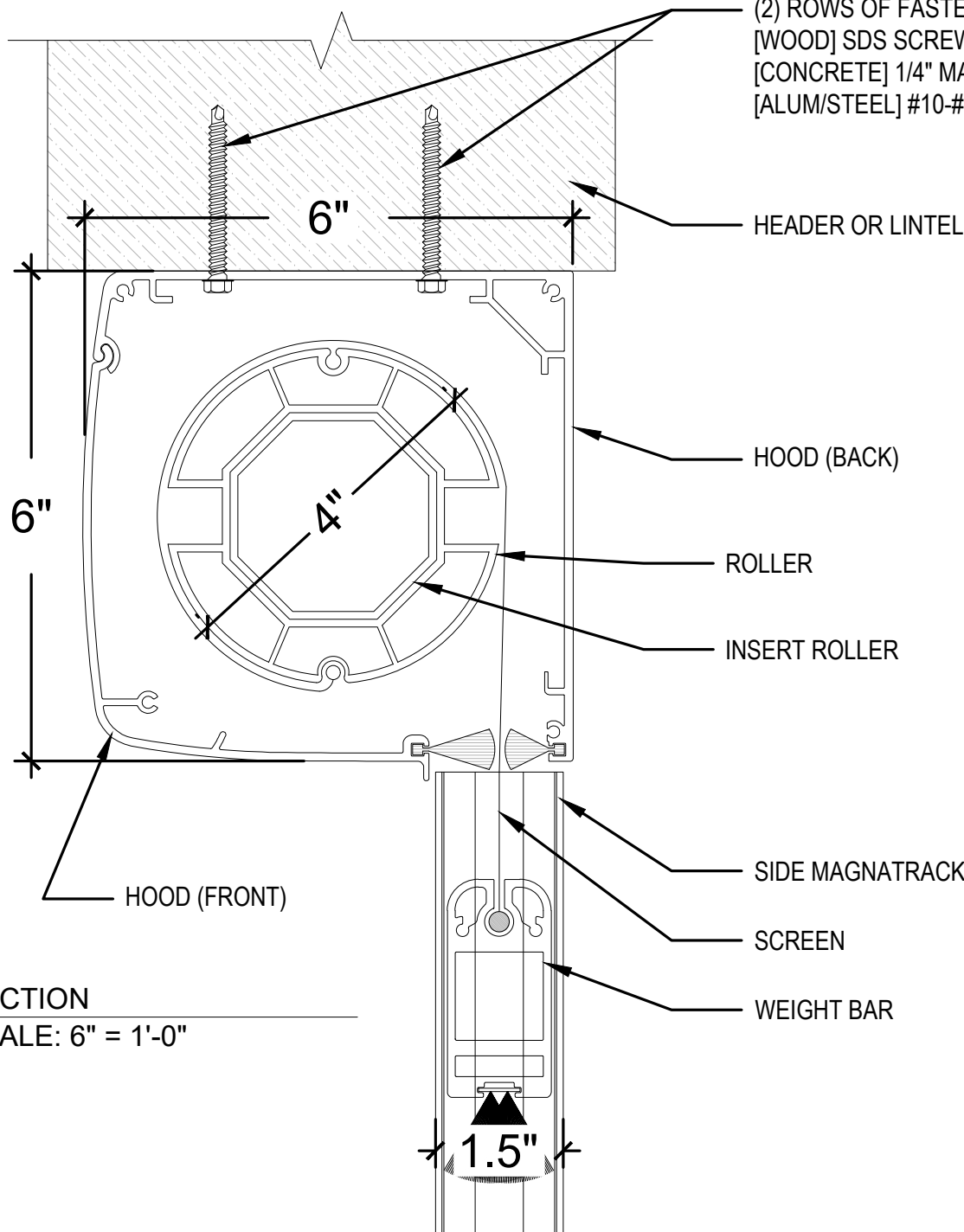
2 RENDERINGS
 SCALE: NTS

NOTE

HOUSING END CAPS OR MOUNTING BRACKETS MUST BE SECURED PROPERLY AS THEY ARE THE LOAD BEARING POINTS OF THE SYSTEM. CENTER OF HOUSING ONLY NEED TO BE SECURED AS DEEMED NECESSARY TO STABILIZE HOUSING COVER.
NEVER PLACE FASTENERS IN THE MIDDLE OF HOUSING (TOP OR BACK)

Date: 02.25.22
Drawn by: AGL
WHILE EVERY ATTEMPT HAS BEEN MADE IN THE PREPARATION OF THESE DRAWINGS TO AVOID MISTAKE, THE DESIGNER CANNOT GUARANTEE AGAINST HUMAN ERROR. PRIOR TO THE COMMENCEMENT OF ANY WORK, CONTRACTOR/OWNER MUST VERIFY ALL CONDITIONS AND DIMENSIONS AT JOB SITE. THE CONTRACTOR/OWNER SHALL REPORT ALL DISCREPANCIES BETWEEN DRAWINGS AND EXISTING CONDITIONS TO THE DESIGNER PRIOR TO COMMENCING WORK.

(2) ROWS OF FASTENERS @ 24" O.C. SPACED 6" O.C. w/
 [WOOD] SDS SCREWS MIN. 2 1/2" EMBEDMENT
 [CONCRETE] 1/4" MASONRY SCREWS MIN. 1 1/2" EMBEDMENT
 [ALUM/STEEL] #10-#12 3/4" SELF TAPPING SCREWS



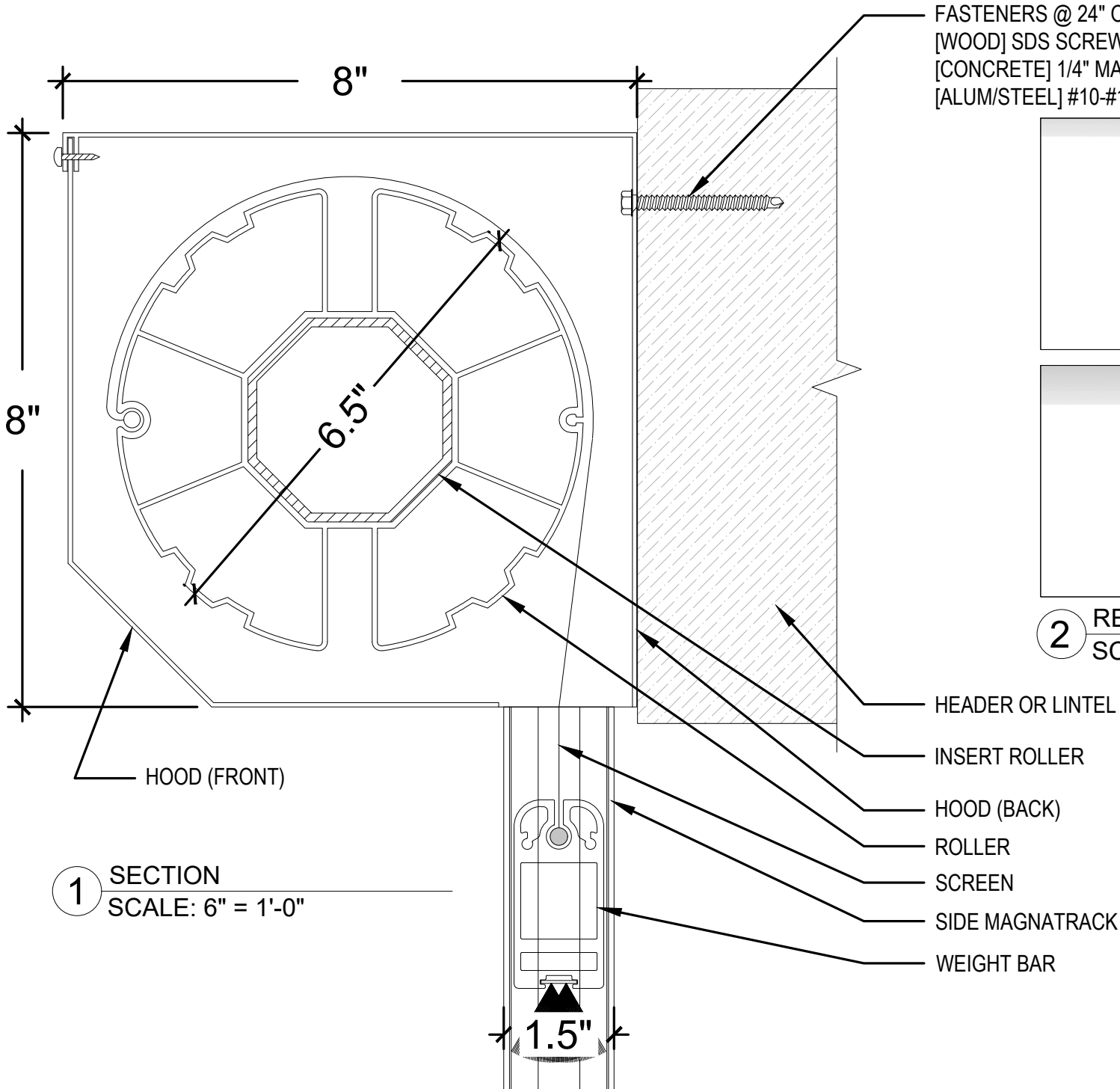
2 RENDERINGS
 SCALE: NTS

1 SECTION
 SCALE: 6" = 1'-0"

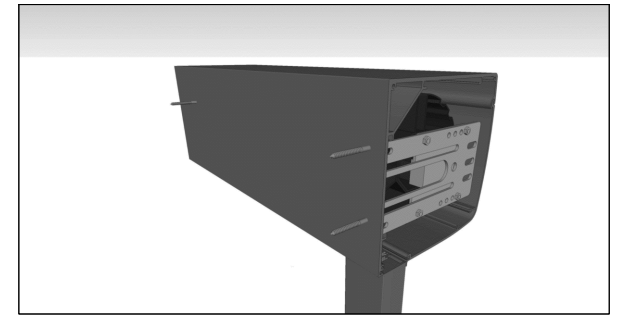
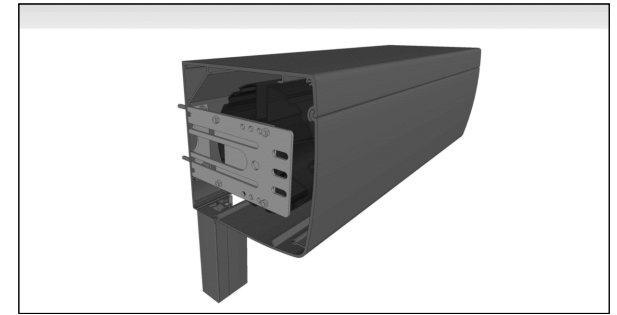
NOTE

HOUSING END CAPS OR MOUNTING BRACKETS MUST BE SECURED PROPERLY AS THEY ARE THE LOAD BEARING POINTS OF THE SYSTEM. CENTER OF HOUSING ONLY NEED TO BE SECURED AS DEEMED NECESSARY TO STABILIZE HOUSING COVER.
NEVER PLACE FASTENERS IN THE MIDDLE OF HOUSING (TOP OR BACK)

Date: 02.25.22
Drawn by: AGL
<p>WHILE EVERY ATTEMPT HAS BEEN MADE IN THE PREPARATION OF THESE DRAWINGS TO AVOID MISTAKE, THE DESIGNER CANNOT GUARANTEE AGAINST HUMAN ERROR. PRIOR TO THE COMMENCEMENT OF ANY WORK, CONTRACTOR/OWNER MUST VERIFY ALL CONDITIONS AND DIMENSIONS AT JOB SITE. THE CONTRACTOR/OWNER SHALL REPORT ALL DISCREPANCIES BETWEEN DRAWINGS AND EXISTING CONDITIONS TO THE DESIGNER PRIOR TO COMMENCING WORK.</p>



FASTENERS @ 24" O.C. w/
 [WOOD] SDS SCREWS MIN. 2 1/2" EMBEDMENT
 [CONCRETE] 1/4" MASONRY SCREWS MIN. 1 1/2" EMBEDMENT
 [ALUM/STEEL] #10-#12 3/4" SELF TAPPING SCREWS



2 RENDERINGS
 SCALE: NTS

1 SECTION
 SCALE: 6" = 1'-0"

- HEADER OR LINTEL
- INSERT ROLLER
- HOOD (BACK)
- ROLLER
- SCREEN
- SIDE MAGNATRACK
- WEIGHT BAR

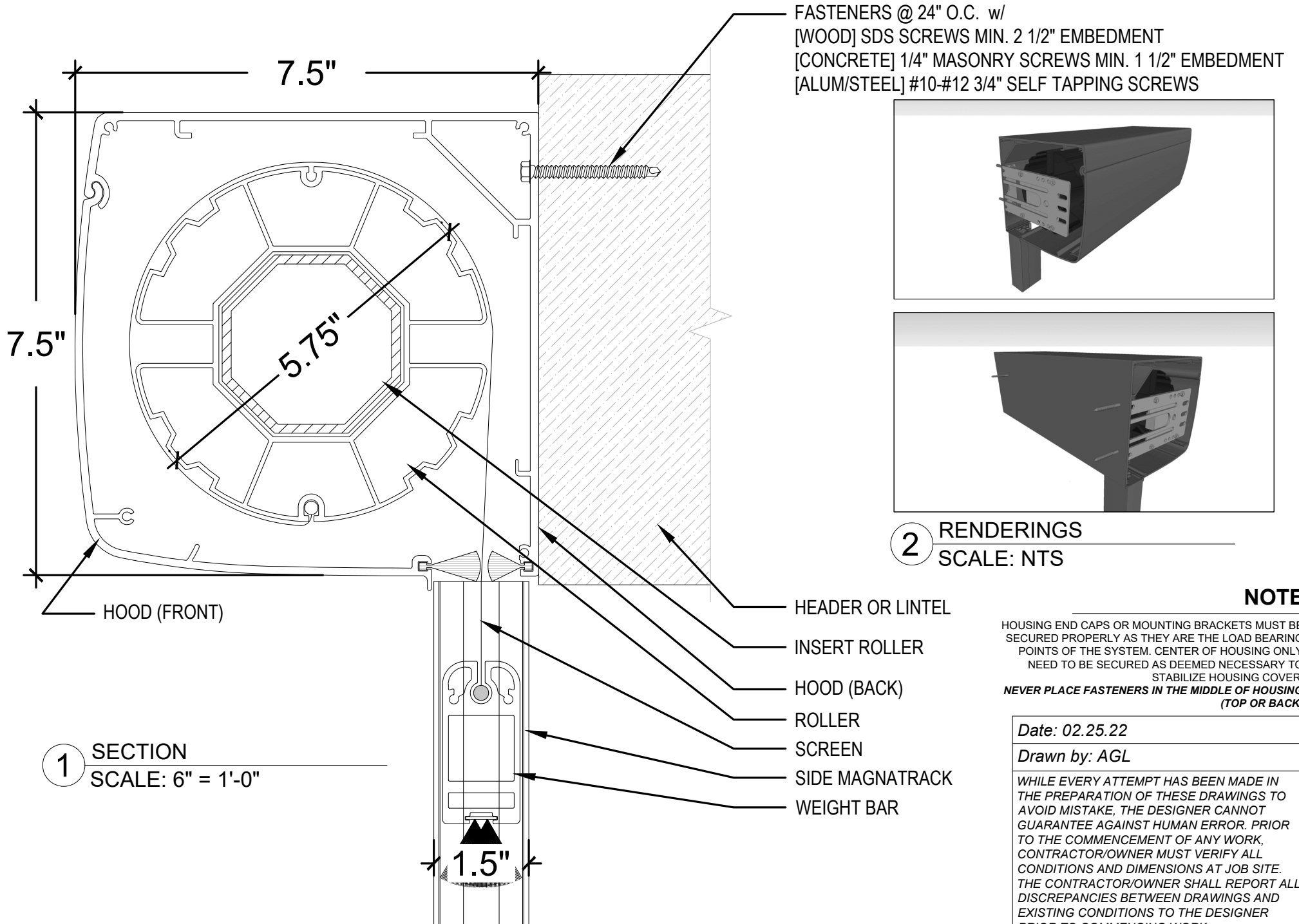
NOTE

HOUSING END CAPS OR MOUNTING BRACKETS MUST BE SECURED PROPERLY AS THEY ARE THE LOAD BEARING POINTS OF THE SYSTEM. CENTER OF HOUSING ONLY NEED TO BE SECURED AS DEEMED NECESSARY TO STABILIZE HOUSING COVER.
NEVER PLACE FASTENERS IN THE MIDDLE OF HOUSING (TOP OR BACK)

Date: 02.25.22

Drawn by: AGL

WHILE EVERY ATTEMPT HAS BEEN MADE IN THE PREPARATION OF THESE DRAWINGS TO AVOID MISTAKE, THE DESIGNER CANNOT GUARANTEE AGAINST HUMAN ERROR. PRIOR TO THE COMMENCEMENT OF ANY WORK, CONTRACTOR/OWNER MUST VERIFY ALL CONDITIONS AND DIMENSIONS AT JOB SITE. THE CONTRACTOR/OWNER SHALL REPORT ALL DISCREPANCIES BETWEEN DRAWINGS AND EXISTING CONDITIONS TO THE DESIGNER PRIOR TO COMMENCING WORK.

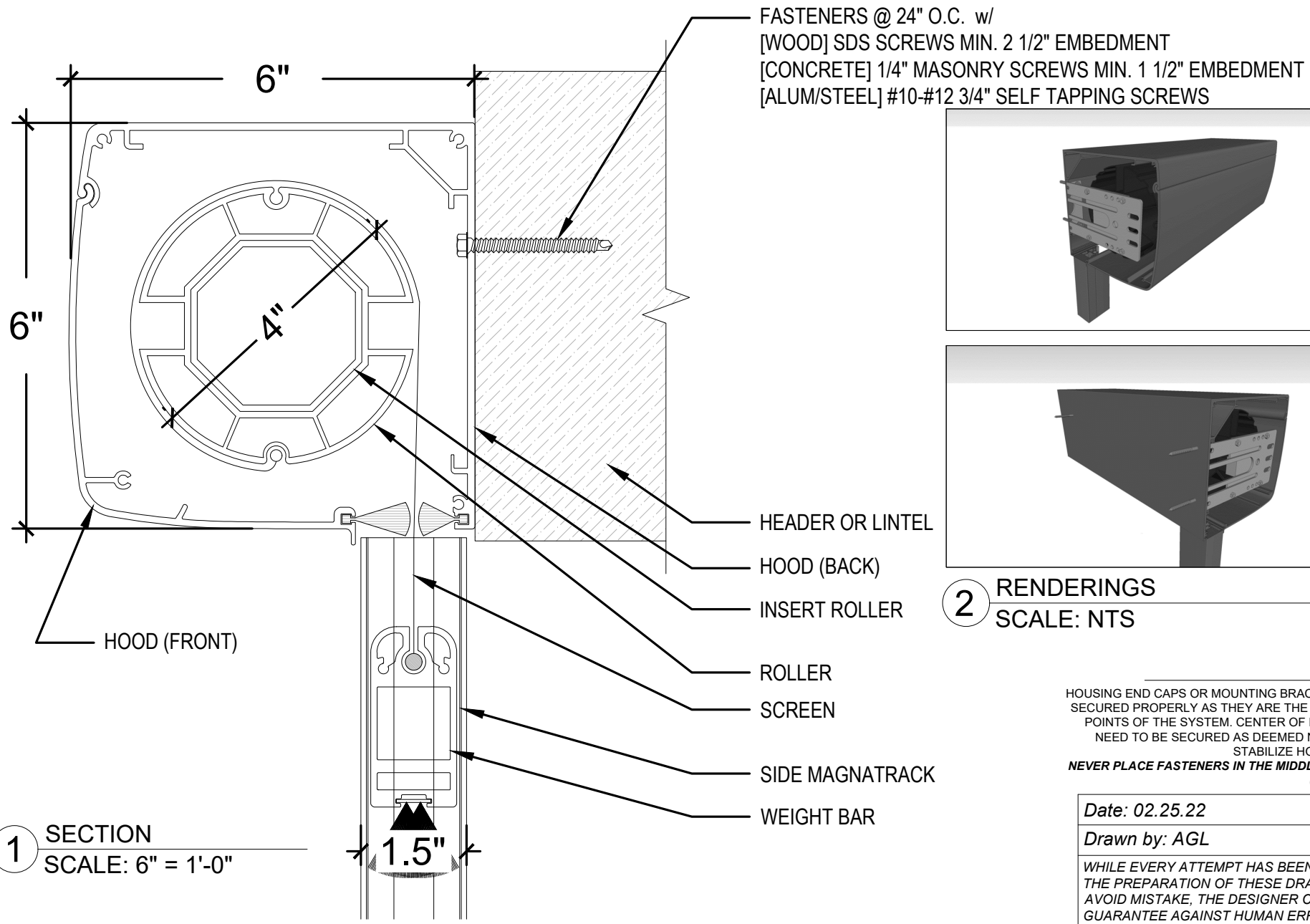


NOTE

HOUSING END CAPS OR MOUNTING BRACKETS MUST BE SECURED PROPERLY AS THEY ARE THE LOAD BEARING POINTS OF THE SYSTEM. CENTER OF HOUSING ONLY NEED TO BE SECURED AS DEEMED NECESSARY TO STABILIZE HOUSING COVER.
NEVER PLACE FASTENERS IN THE MIDDLE OF HOUSING (TOP OR BACK)

Date: 02.25.22
 Drawn by: AGL

WHILE EVERY ATTEMPT HAS BEEN MADE IN THE PREPARATION OF THESE DRAWINGS TO AVOID MISTAKE, THE DESIGNER CANNOT GUARANTEE AGAINST HUMAN ERROR. PRIOR TO THE COMMENCEMENT OF ANY WORK, CONTRACTOR/OWNER MUST VERIFY ALL CONDITIONS AND DIMENSIONS AT JOB SITE. THE CONTRACTOR/OWNER SHALL REPORT ALL DISCREPANCIES BETWEEN DRAWINGS AND EXISTING CONDITIONS TO THE DESIGNER PRIOR TO COMMENCING WORK.



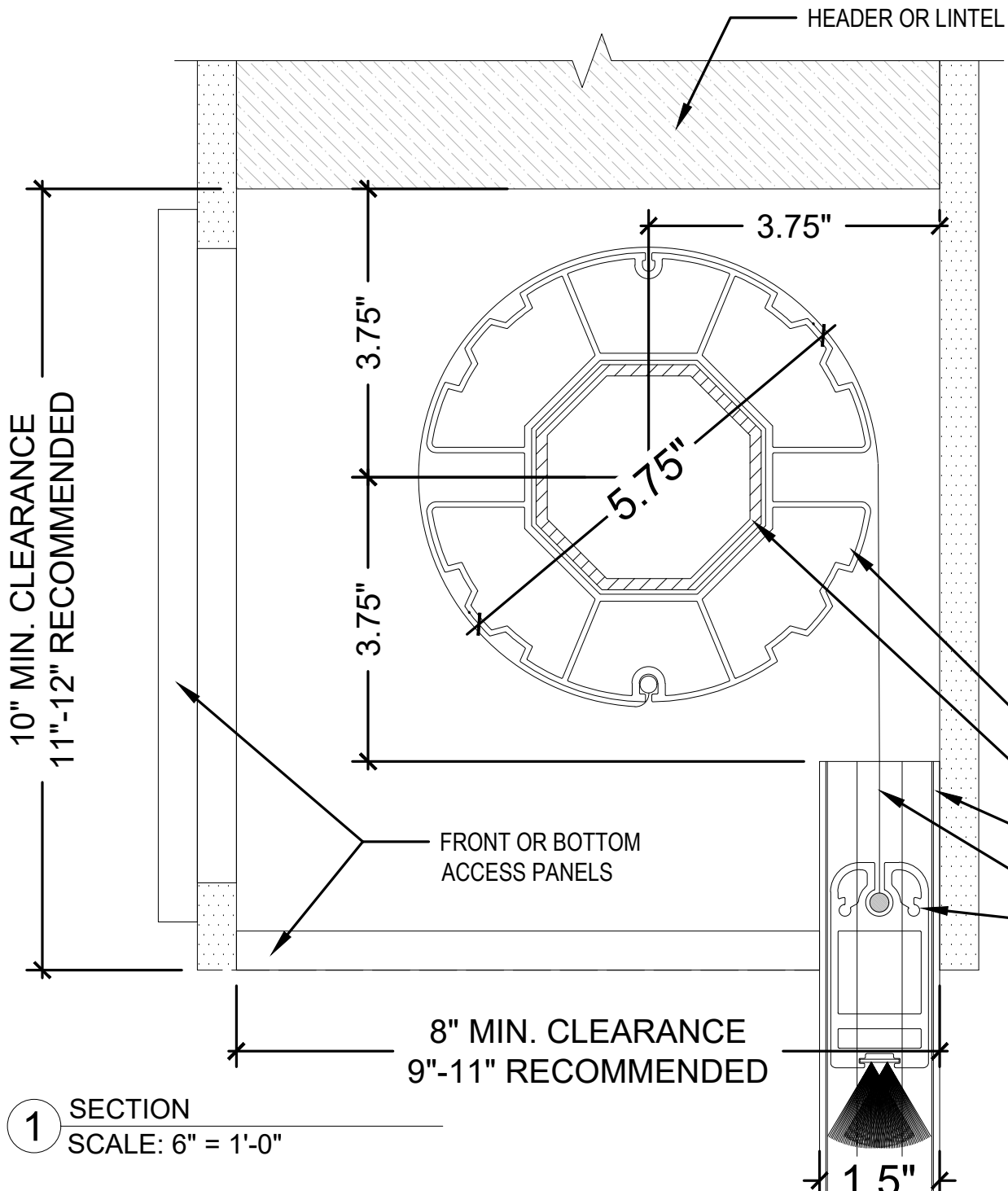
1 SECTION
SCALE: 6" = 1'-0"

2 RENDERINGS
SCALE: NTS

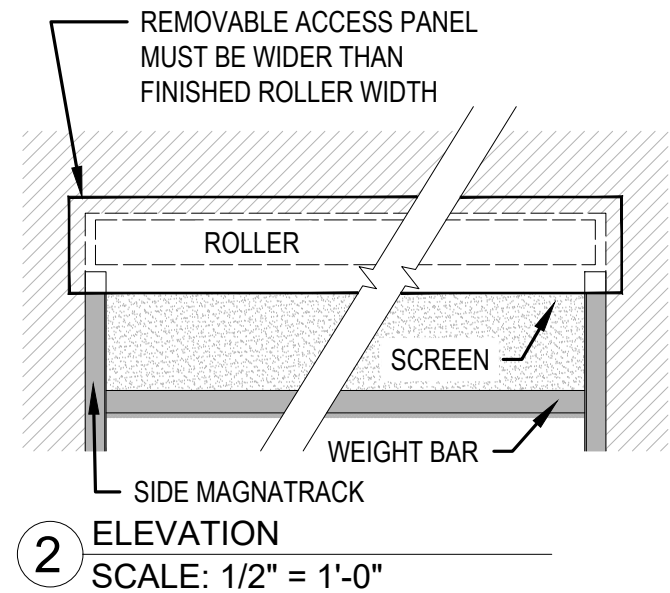
NOTE

HOUSING END CAPS OR MOUNTING BRACKETS MUST BE SECURED PROPERLY AS THEY ARE THE LOAD BEARING POINTS OF THE SYSTEM. CENTER OF HOUSING ONLY NEED TO BE SECURED AS DEEMED NECESSARY TO STABILIZE HOUSING COVER.
NEVER PLACE FASTENERS IN THE MIDDLE OF HOUSING (TOP OR BACK)

Date: 02.25.22
Drawn by: AGL
WHILE EVERY ATTEMPT HAS BEEN MADE IN THE PREPARATION OF THESE DRAWINGS TO AVOID MISTAKE, THE DESIGNER CANNOT GUARANTEE AGAINST HUMAN ERROR. PRIOR TO THE COMMENCEMENT OF ANY WORK, CONTRACTOR/OWNER MUST VERIFY ALL CONDITIONS AND DIMENSIONS AT JOB SITE. THE CONTRACTOR/OWNER SHALL REPORT ALL DISCREPANCIES BETWEEN DRAWINGS AND EXISTING CONDITIONS TO THE DESIGNER PRIOR TO COMMENCING WORK.



1 SECTION
SCALE: 6" = 1'-0"

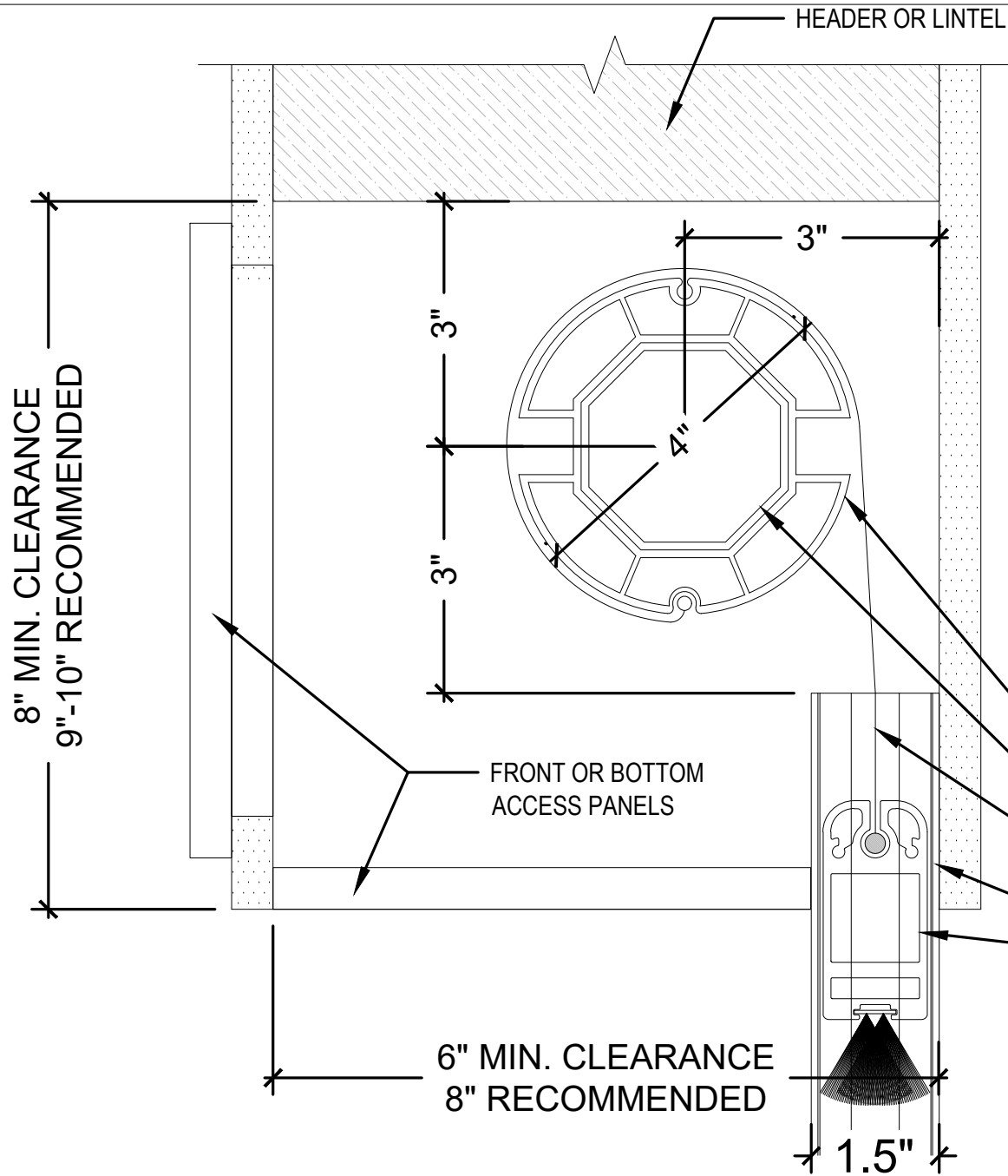


- ROLLER
- INSERT ROLLER
- SIDE MAGNATRACK
- SCREEN
- WEIGHT BAR

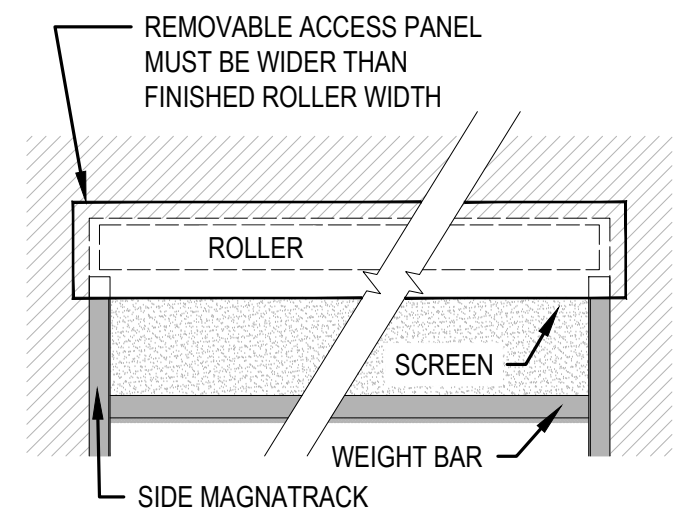
Date: 02.25.22

Drawn by: AGL

WHILE EVERY ATTEMPT HAS BEEN MADE IN THE PREPARATION OF THESE DRAWINGS TO AVOID MISTAKE, THE DESIGNER CANNOT GUARANTEE AGAINST HUMAN ERROR. PRIOR TO THE COMMENCEMENT OF ANY WORK, CONTRACTOR/OWNER MUST VERIFY ALL CONDITIONS AND DIMENSIONS AT JOB SITE. THE CONTRACTOR/OWNER SHALL REPORT ALL DISCREPANCIES BETWEEN DRAWINGS AND EXISTING CONDITIONS TO THE DESIGNER PRIOR TO COMMENCING WORK.



1 SECTION
SCALE: 6" = 1'-0"



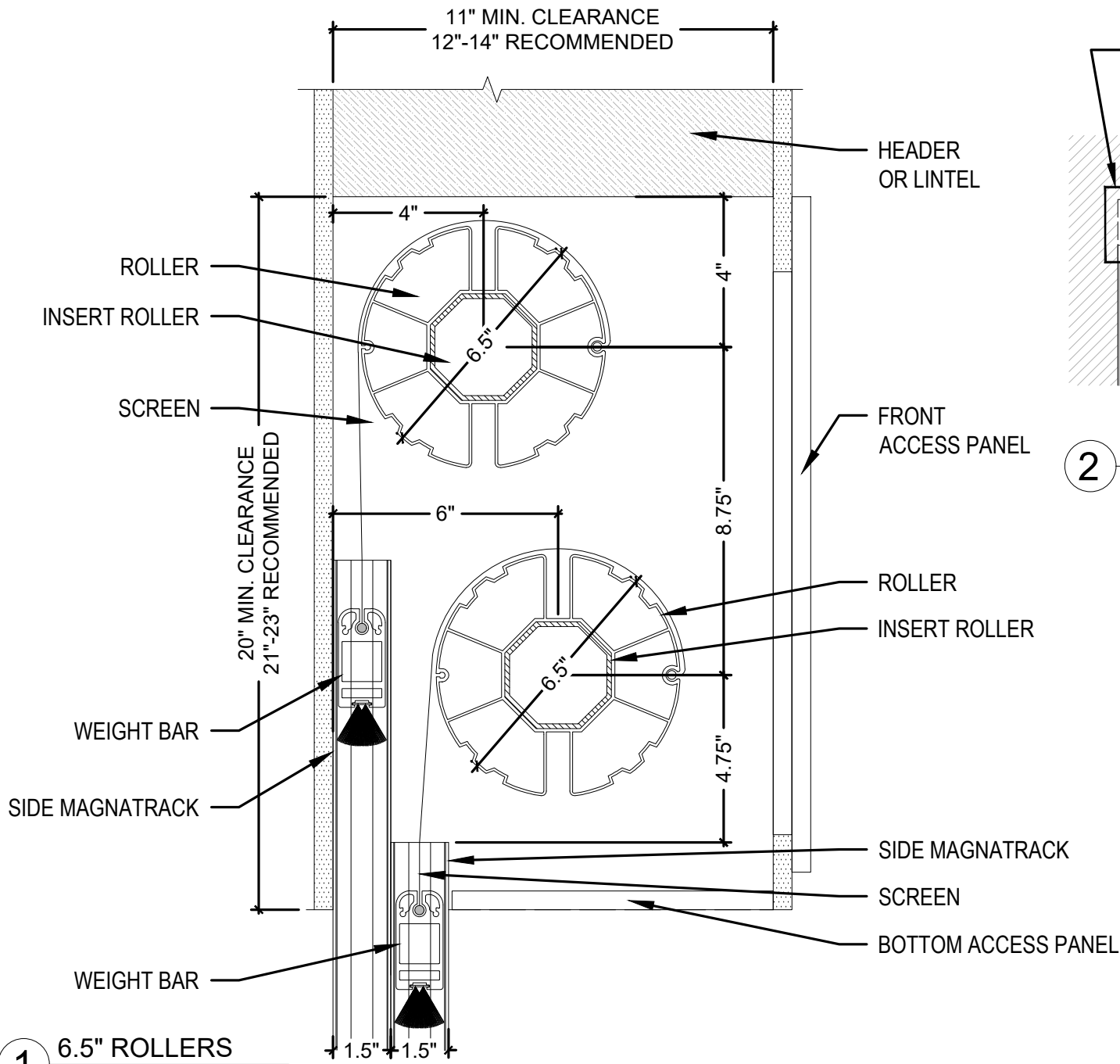
2 ELEVATION
SCALE: 1/2" = 1'-0"

- ROLLER
- INSERT ROLLER
- SCREEN
- SIDE MAGNATRACK
- WEIGHT BAR

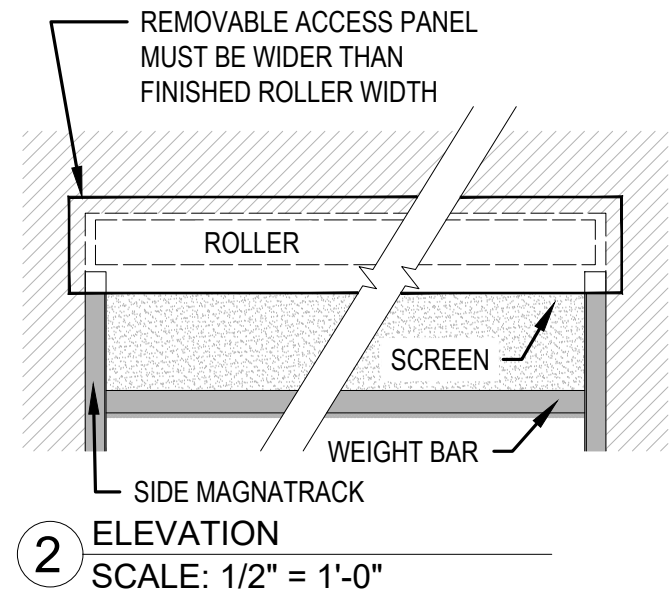
Date: 02.25.22

Drawn by: AGL

WHILE EVERY ATTEMPT HAS BEEN MADE IN THE PREPARATION OF THESE DRAWINGS TO AVOID MISTAKE, THE DESIGNER CANNOT GUARANTEE AGAINST HUMAN ERROR. PRIOR TO THE COMMENCEMENT OF ANY WORK, CONTRACTOR/OWNER MUST VERIFY ALL CONDITIONS AND DIMENSIONS AT JOB SITE. THE CONTRACTOR/OWNER SHALL REPORT ALL DISCREPANCIES BETWEEN DRAWINGS AND EXISTING CONDITIONS TO THE DESIGNER PRIOR TO COMMENCING WORK.



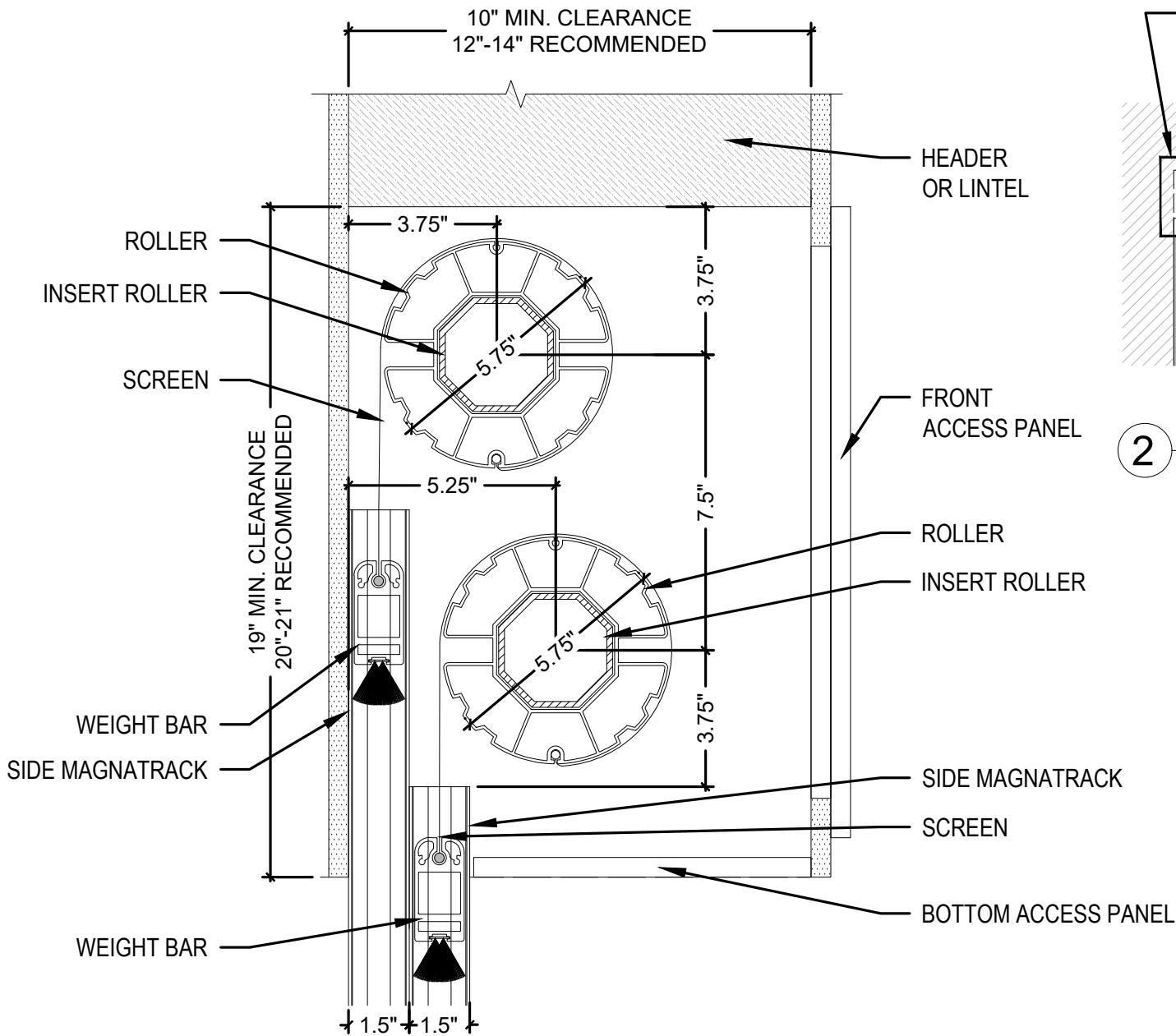
1 6.5" ROLLERS
SCALE: 3" = 1'-0"



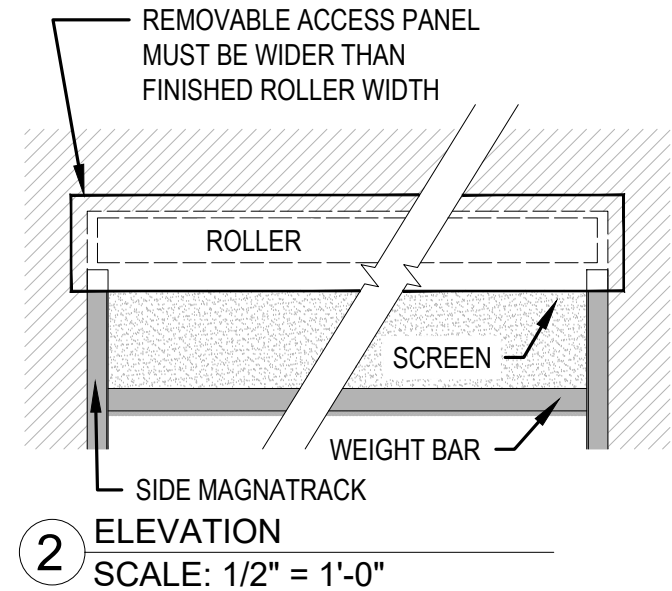
Date: 02.25.22

Drawn by: AGL

WHILE EVERY ATTEMPT HAS BEEN MADE IN THE PREPARATION OF THESE DRAWINGS TO AVOID MISTAKE, THE DESIGNER CANNOT GUARANTEE AGAINST HUMAN ERROR. PRIOR TO THE COMMENCEMENT OF ANY WORK, CONTRACTOR/OWNER MUST VERIFY ALL CONDITIONS AND DIMENSIONS AT JOB SITE. THE CONTRACTOR/OWNER SHALL REPORT ALL DISCREPANCIES BETWEEN DRAWINGS AND EXISTING CONDITIONS TO THE DESIGNER PRIOR TO COMMENCING WORK.



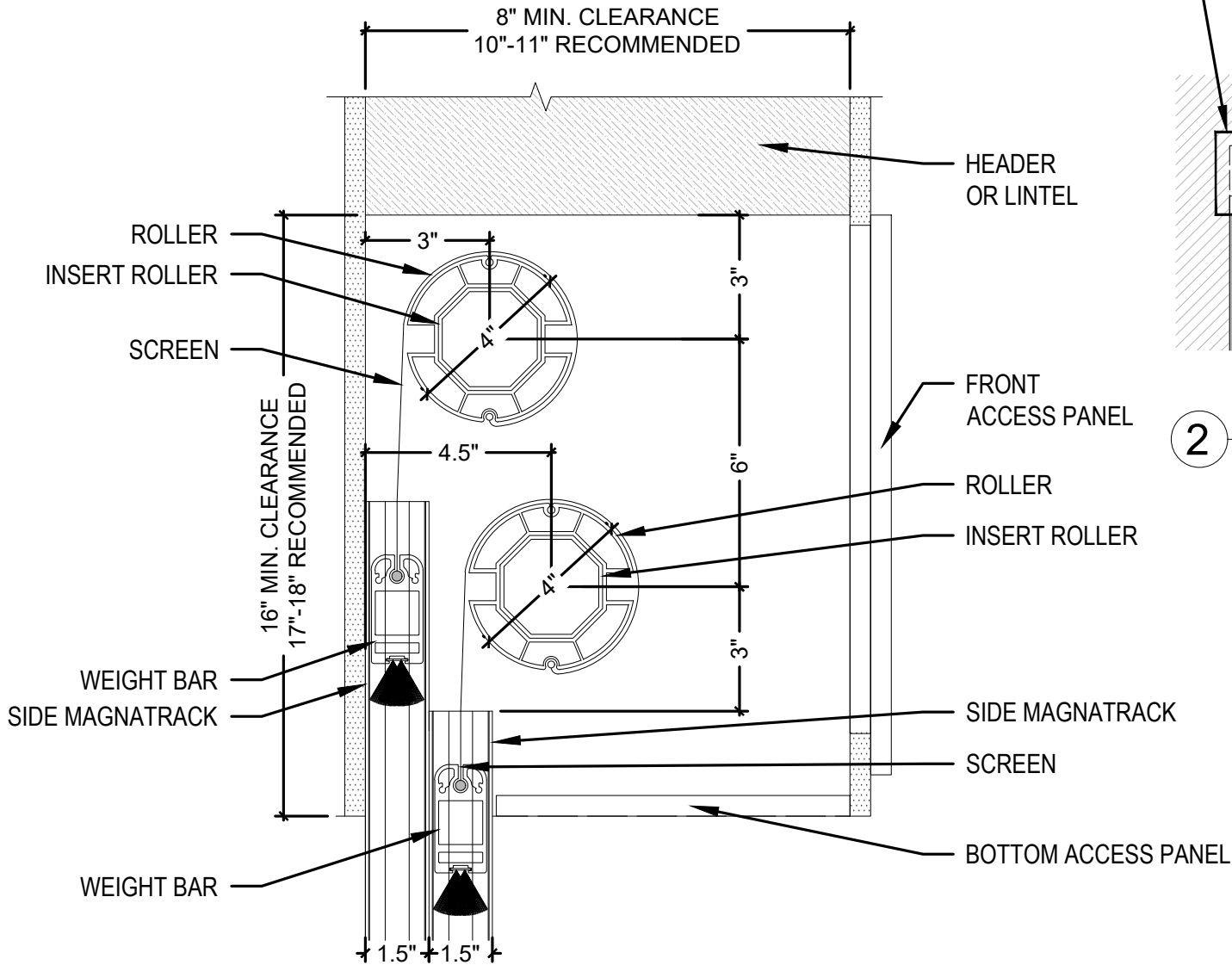
1 5.5" ROLLERS
SCALE: 3" = 1'-0"



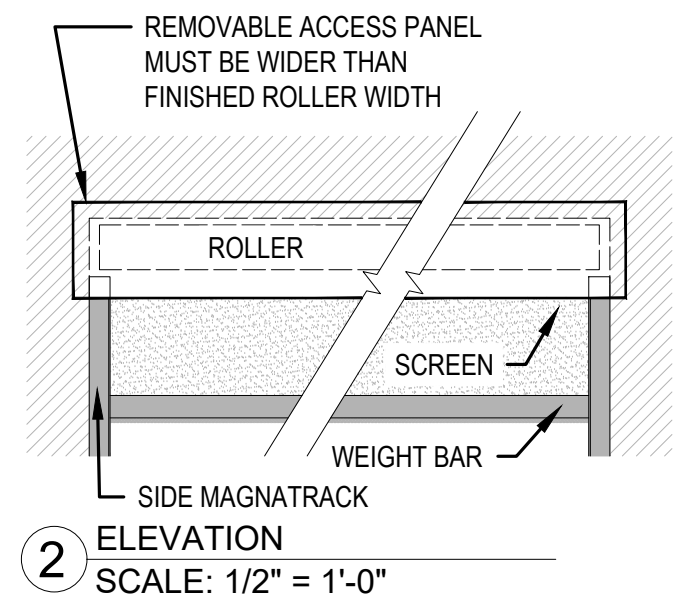
Date: 02.25.22

Drawn by: AGL

WHILE EVERY ATTEMPT HAS BEEN MADE IN THE PREPARATION OF THESE DRAWINGS TO AVOID MISTAKE, THE DESIGNER CANNOT GUARANTEE AGAINST HUMAN ERROR. PRIOR TO THE COMMENCEMENT OF ANY WORK, CONTRACTOR/OWNER MUST VERIFY ALL CONDITIONS AND DIMENSIONS AT JOB SITE. THE CONTRACTOR/OWNER SHALL REPORT ALL DISCREPANCIES BETWEEN DRAWINGS AND EXISTING CONDITIONS TO THE DESIGNER PRIOR TO COMMENCING WORK.

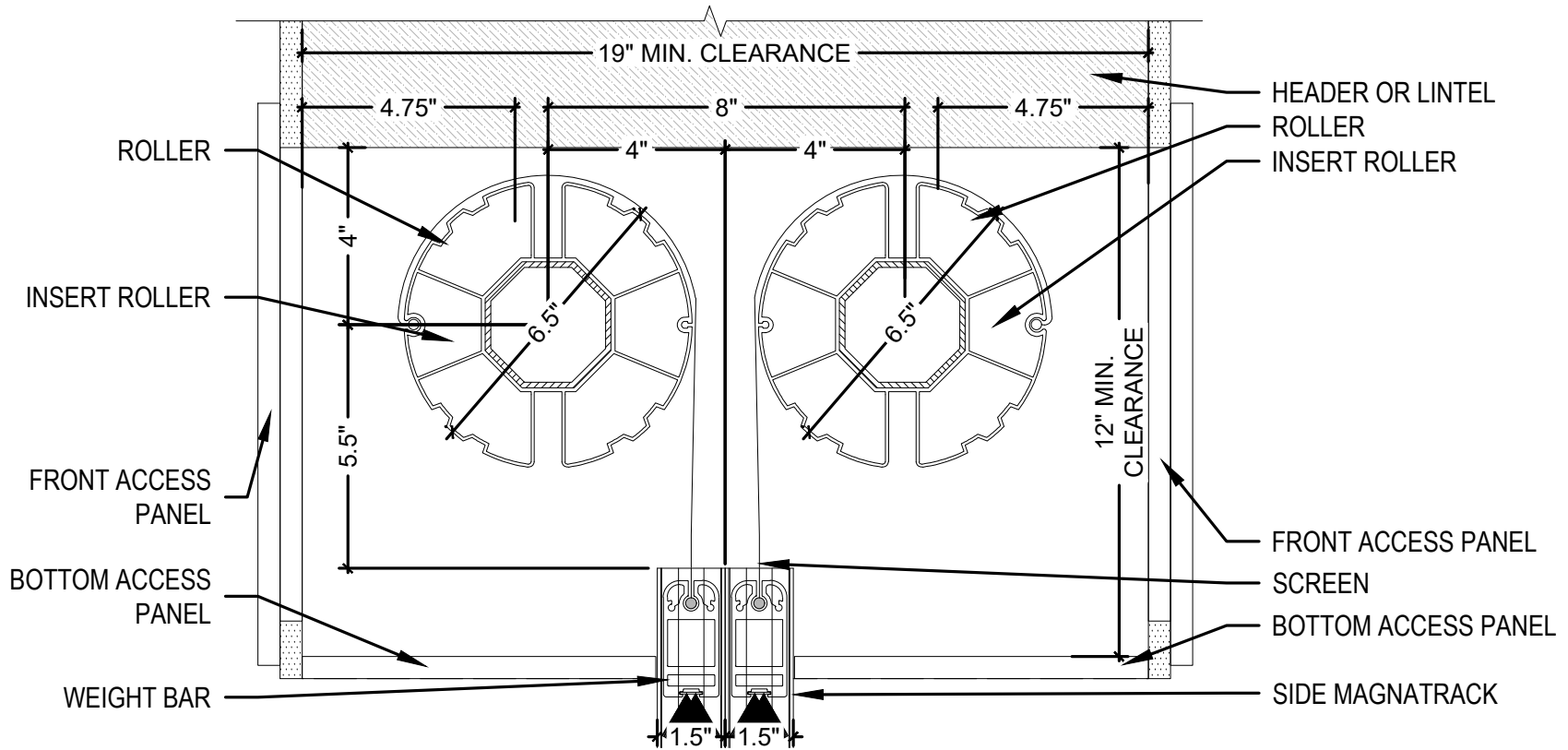


1 4" ROLLERS
SCALE: 3" = 1'-0"



2 ELEVATION
SCALE: 1/2" = 1'-0"

Date: 02.25.22
 Drawn by: AGL
 WHILE EVERY ATTEMPT HAS BEEN MADE IN THE PREPARATION OF THESE DRAWINGS TO AVOID MISTAKE, THE DESIGNER CANNOT GUARANTEE AGAINST HUMAN ERROR. PRIOR TO THE COMMENCEMENT OF ANY WORK, CONTRACTOR/OWNER MUST VERIFY ALL CONDITIONS AND DIMENSIONS AT JOB SITE. THE CONTRACTOR/OWNER SHALL REPORT ALL DISCREPANCIES BETWEEN DRAWINGS AND EXISTING CONDITIONS TO THE DESIGNER PRIOR TO COMMENCING WORK.

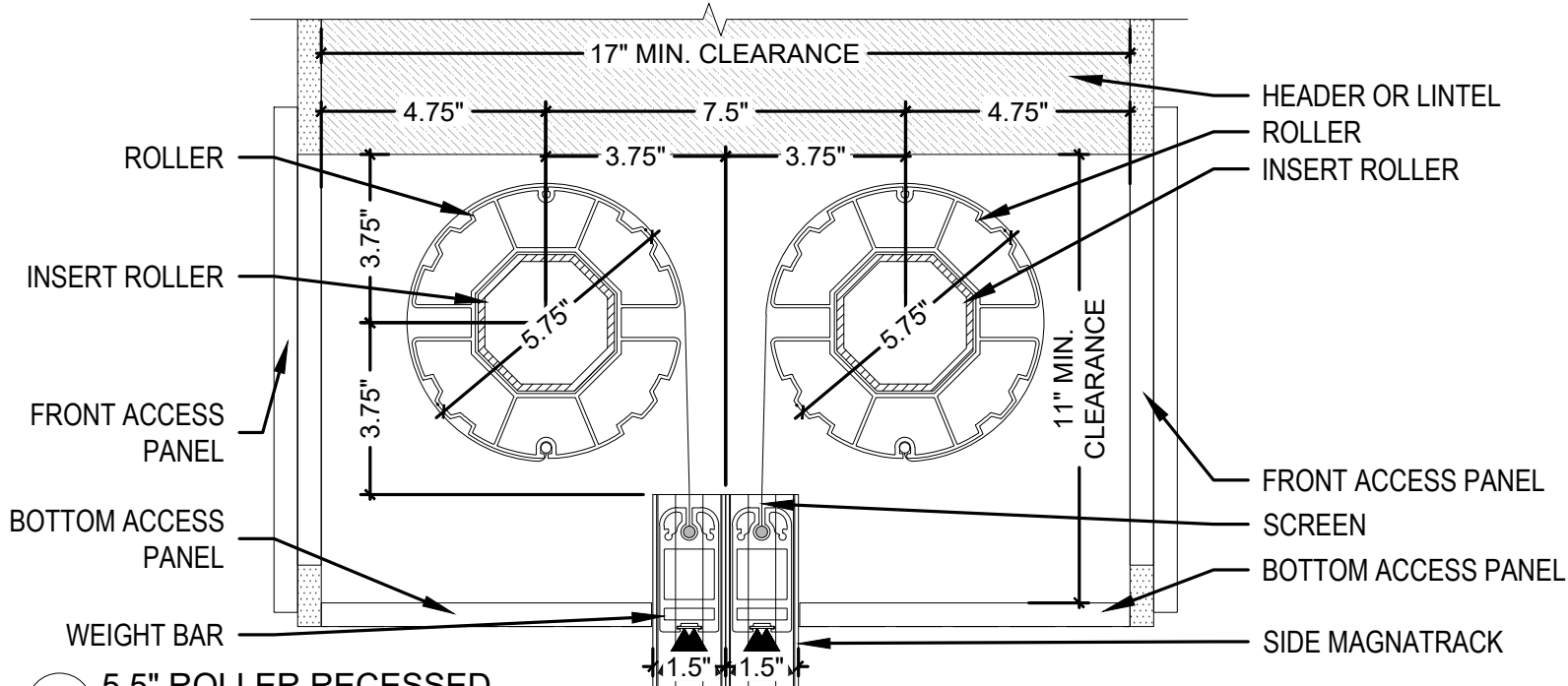


1 6.5" ROLLER RECESSED
SCALE: 3" = 1'-0"

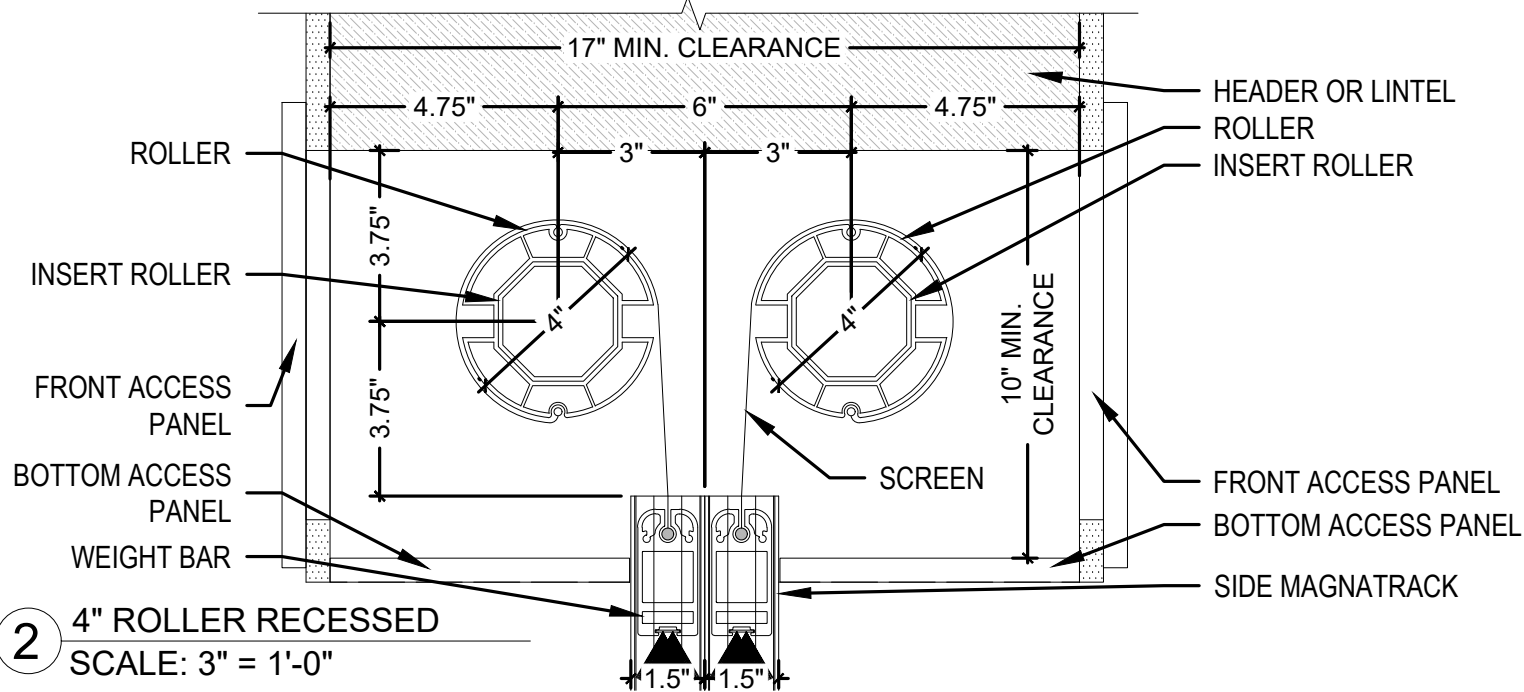
Date: 02.25.22

Drawn by: AGL

WHILE EVERY ATTEMPT HAS BEEN MADE IN THE PREPARATION OF THESE DRAWINGS TO AVOID MISTAKE, THE DESIGNER CANNOT GUARANTEE AGAINST HUMAN ERROR. PRIOR TO THE COMMENCEMENT OF ANY WORK, CONTRACTOR/OWNER MUST VERIFY ALL CONDITIONS AND DIMENSIONS AT JOB SITE. THE CONTRACTOR/OWNER SHALL REPORT ALL DISCREPANCIES BETWEEN DRAWINGS AND EXISTING CONDITIONS TO THE DESIGNER PRIOR TO COMMENCING WORK.



1 5.5" ROLLER RECESSED
SCALE: 3" = 1'-0"

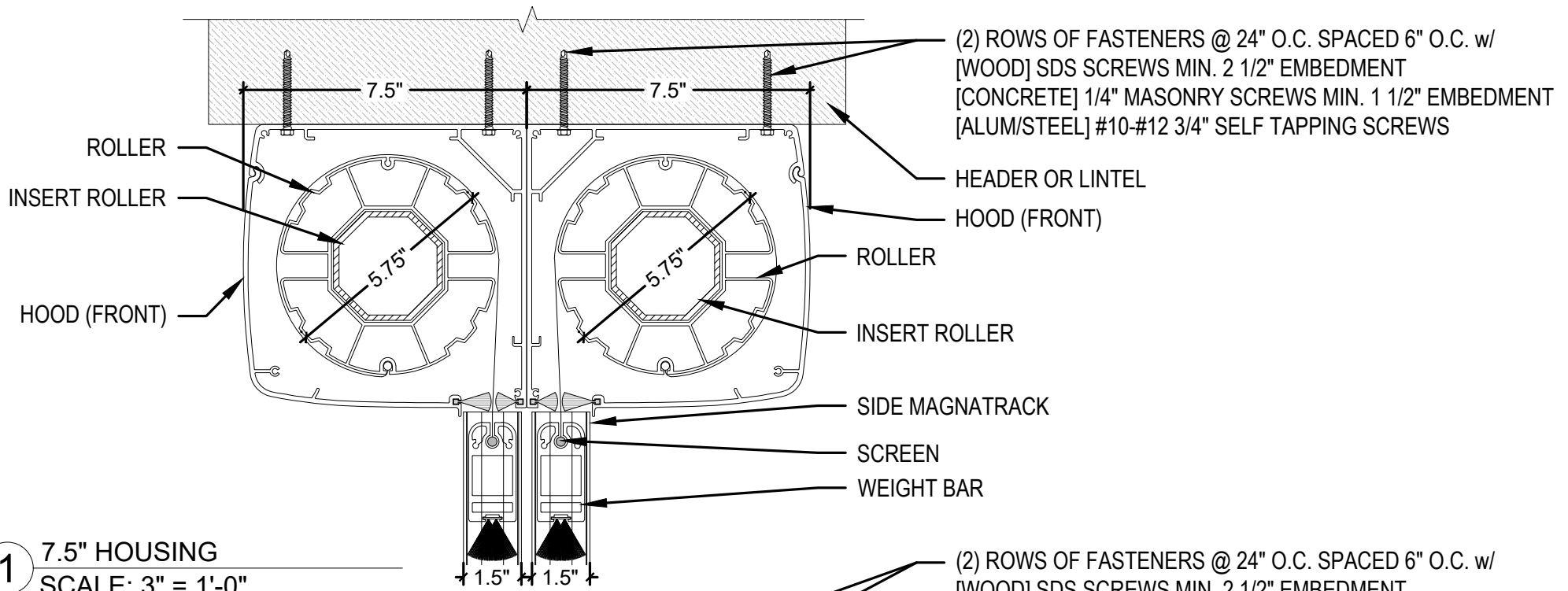


2 4" ROLLER RECESSED
SCALE: 3" = 1'-0"

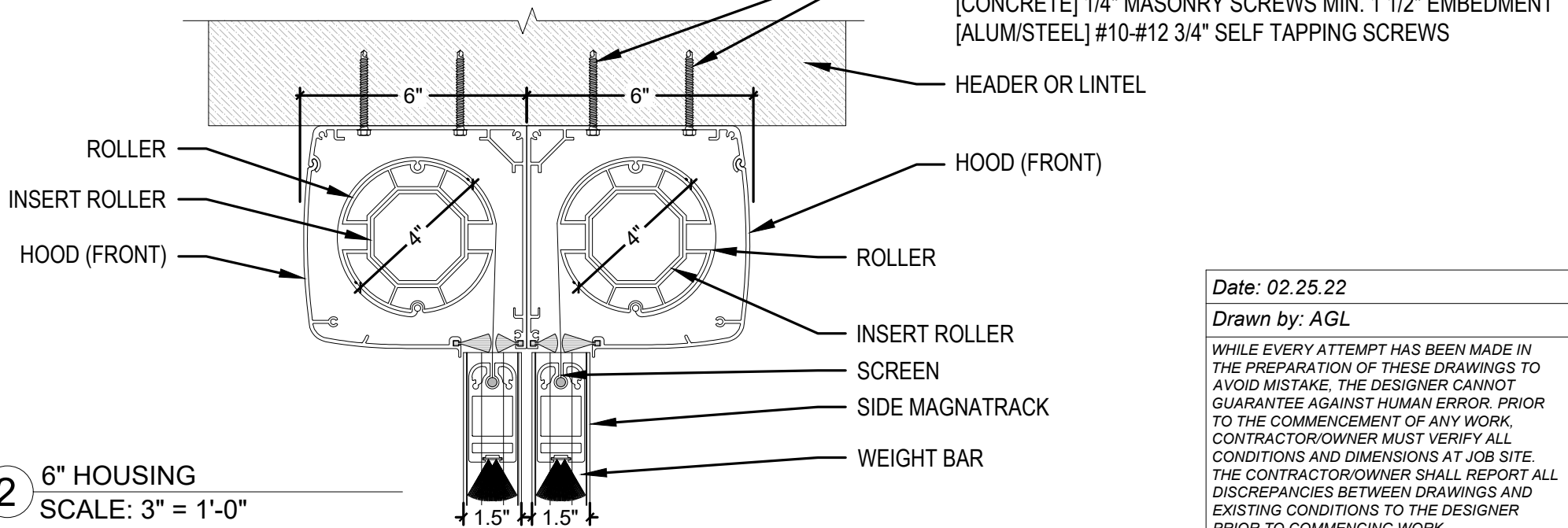
Date: 02.25.22

Drawn by: AGL

WHILE EVERY ATTEMPT HAS BEEN MADE IN THE PREPARATION OF THESE DRAWINGS TO AVOID MISTAKE, THE DESIGNER CANNOT GUARANTEE AGAINST HUMAN ERROR. PRIOR TO THE COMMENCEMENT OF ANY WORK, CONTRACTOR/OWNER MUST VERIFY ALL CONDITIONS AND DIMENSIONS AT JOB SITE. THE CONTRACTOR/OWNER SHALL REPORT ALL DISCREPANCIES BETWEEN DRAWINGS AND EXISTING CONDITIONS TO THE DESIGNER PRIOR TO COMMENCING WORK.

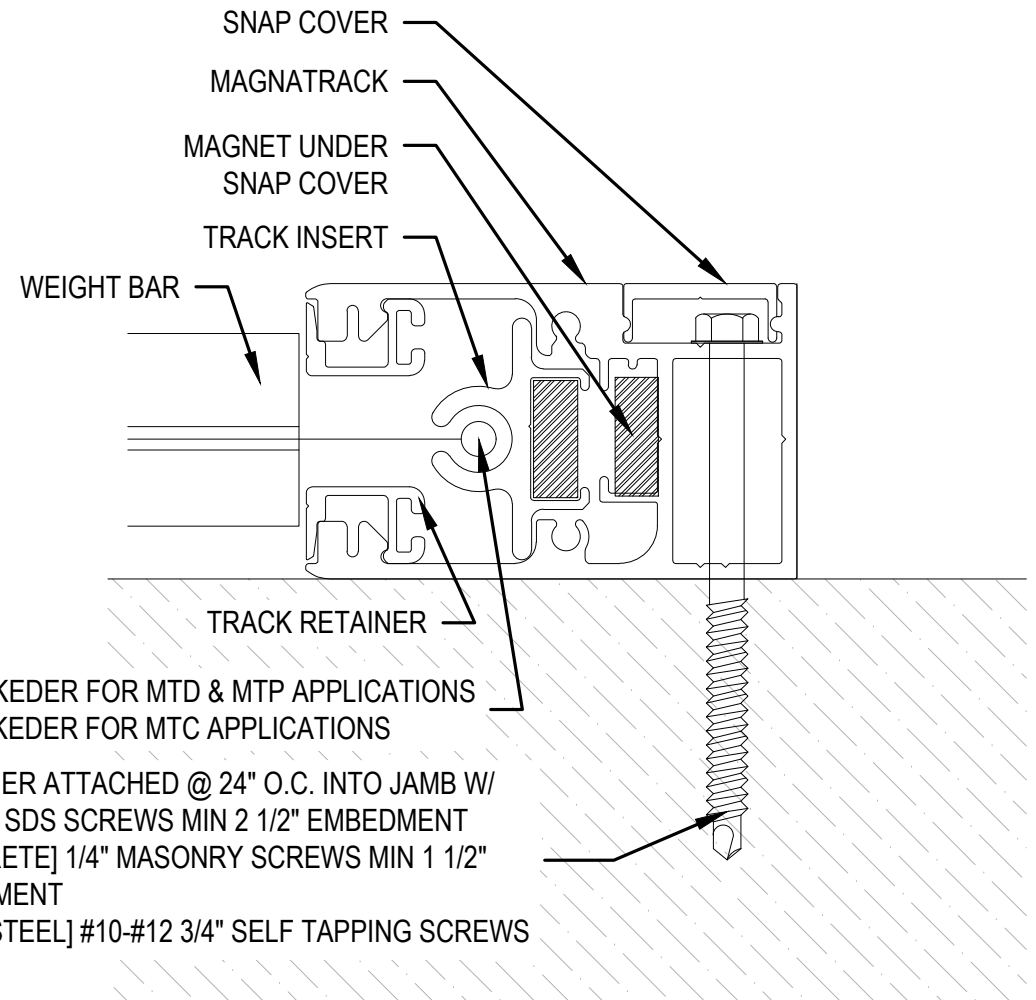
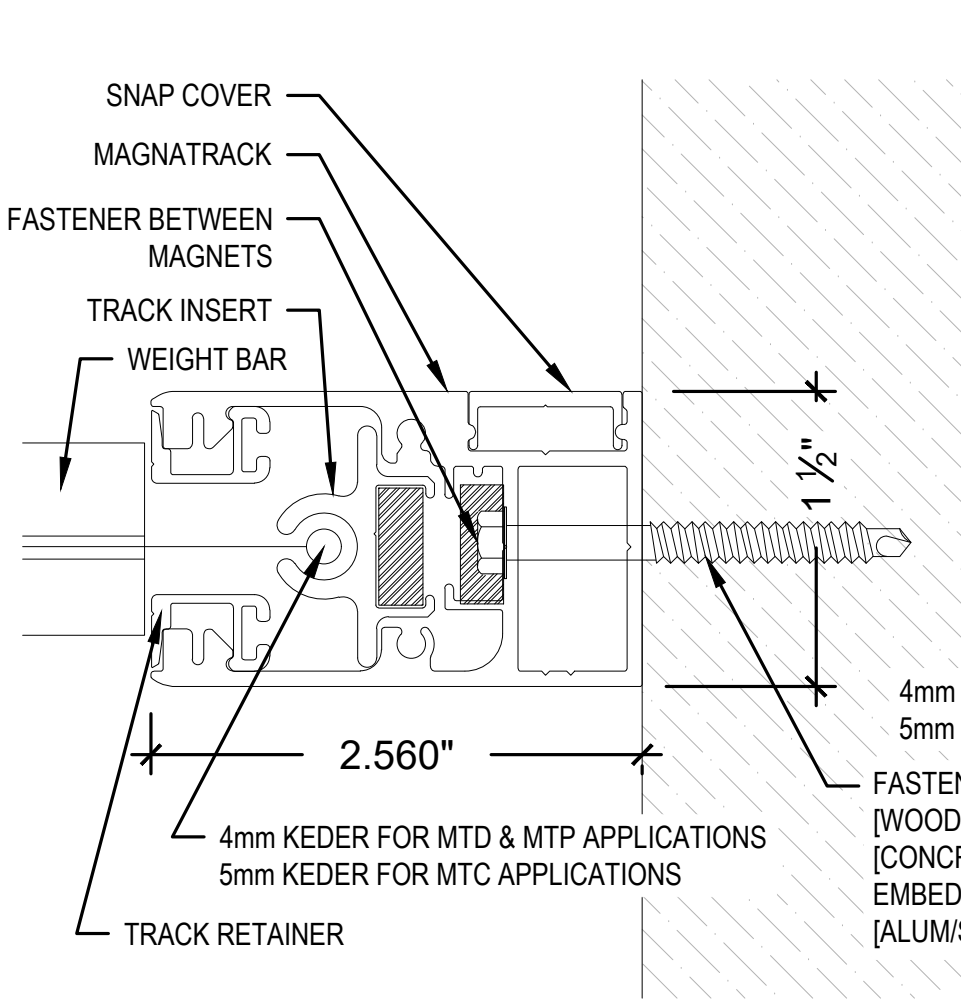


1 7.5" HOUSING
SCALE: 3" = 1'-0"



2 6" HOUSING
SCALE: 3" = 1'-0"

Date: 02.25.22
 Drawn by: AGL
 WHILE EVERY ATTEMPT HAS BEEN MADE IN THE PREPARATION OF THESE DRAWINGS TO AVOID MISTAKE, THE DESIGNER CANNOT GUARANTEE AGAINST HUMAN ERROR. PRIOR TO THE COMMENCEMENT OF ANY WORK, CONTRACTOR/OWNER MUST VERIFY ALL CONDITIONS AND DIMENSIONS AT JOB SITE. THE CONTRACTOR/OWNER SHALL REPORT ALL DISCREPANCIES BETWEEN DRAWINGS AND EXISTING CONDITIONS TO THE DESIGNER PRIOR TO COMMENCING WORK.



4mm KEDER FOR MTD & MTP APPLICATIONS
 5mm KEDER FOR MTC APPLICATIONS

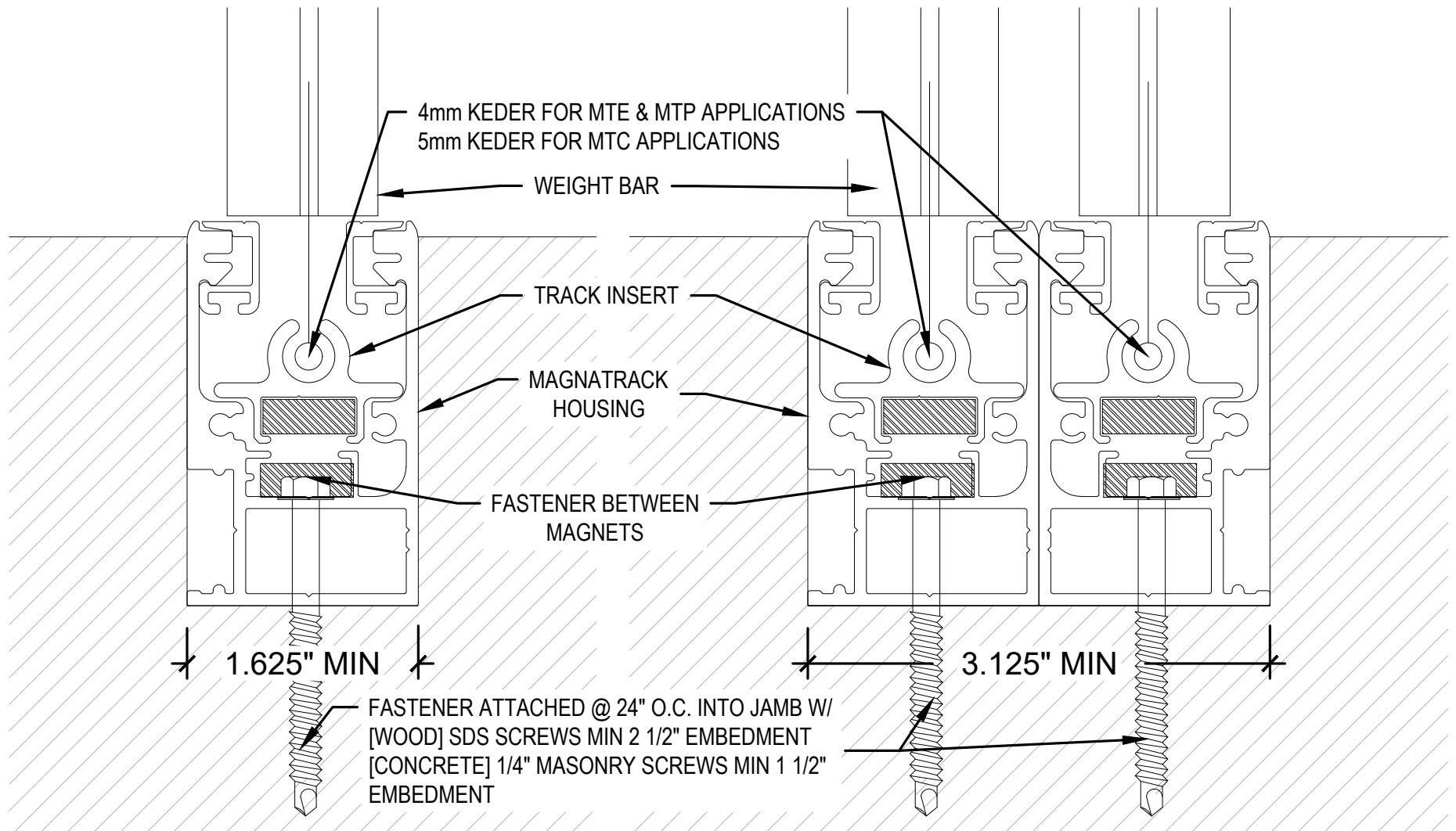
FASTENER ATTACHED @ 24" O.C. INTO JAMB W/
 [WOOD] SDS SCREWS MIN 2 1/2" EMBEDMENT
 [CONCRETE] 1/4" MASONRY SCREWS MIN 1 1/2"
 EMBEDMENT
 [ALUM/STEEL] #10-#12 3/4" SELF TAPPING SCREWS

① SIDE TRACK (IUH)
 SCALE: 12" = 1'-0"

② SIDE TRACK (OAH)
 SCALE: 12" = 1'-0"

Date: 02.25.22
 Drawn by: AGL

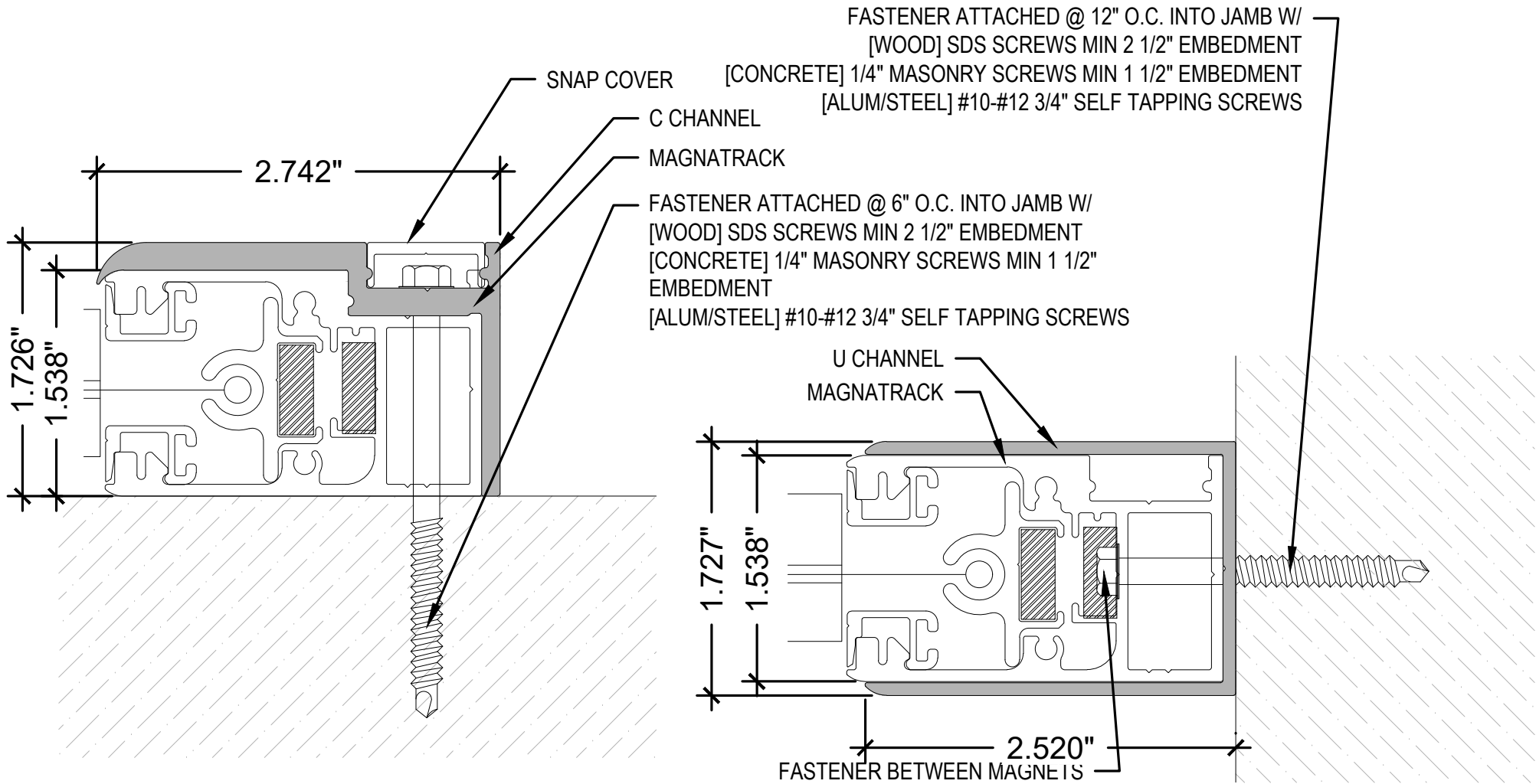
WHILE EVERY ATTEMPT HAS BEEN MADE IN THE PREPARATION OF THESE DRAWINGS TO AVOID MISTAKE, THE DESIGNER CANNOT GUARANTEE AGAINST HUMAN ERROR. PRIOR TO THE COMMENCEMENT OF ANY WORK, CONTRACTOR/OWNER MUST VERIFY ALL CONDITIONS AND DIMENSIONS AT JOB SITE. THE CONTRACTOR/OWNER SHALL REPORT ALL DISCREPANCIES BETWEEN DRAWINGS AND EXISTING CONDITIONS TO THE DESIGNER PRIOR TO COMMENCING WORK.



① RECESSED SINGLE TRACK
SCALE: 12" = 1'-0"

② RECESSED DUAL TRACK
SCALE: 12" = 1'-0"

Date: 02.25.22
 Drawn by: AGL
 WHILE EVERY ATTEMPT HAS BEEN MADE IN THE PREPARATION OF THESE DRAWINGS TO AVOID MISTAKE, THE DESIGNER CANNOT GUARANTEE AGAINST HUMAN ERROR. PRIOR TO THE COMMENCEMENT OF ANY WORK, CONTRACTOR/OWNER MUST VERIFY ALL CONDITIONS AND DIMENSIONS AT JOB SITE. THE CONTRACTOR/OWNER SHALL REPORT ALL DISCREPANCIES BETWEEN DRAWINGS AND EXISTING CONDITIONS TO THE DESIGNER PRIOR TO COMMENCING WORK.

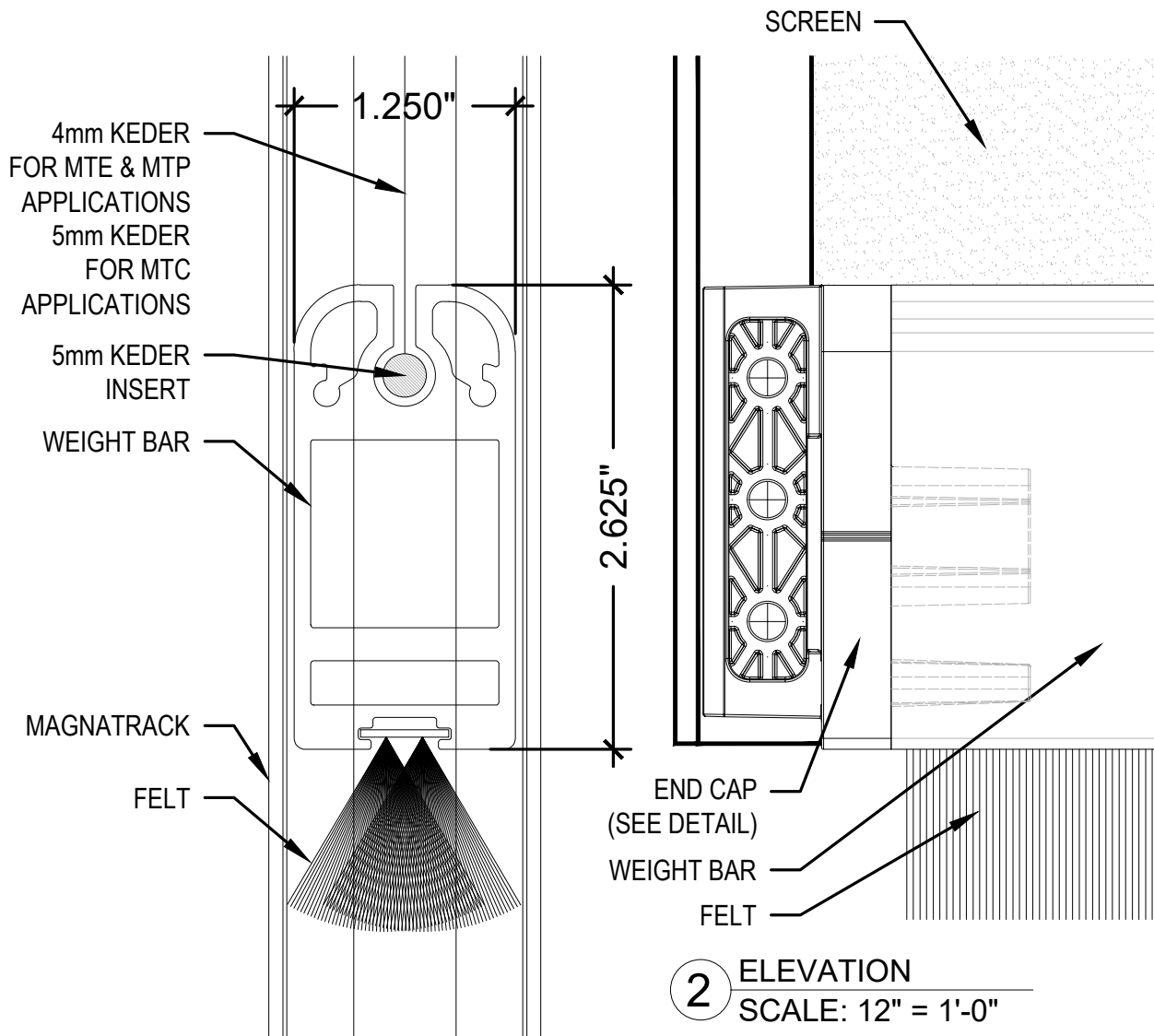


1 SIDE MOUNT - C CHANNEL
 SCALE: 12" = 1'-0"

2 U CHANNEL
 SCALE: 12" = 1'-0"

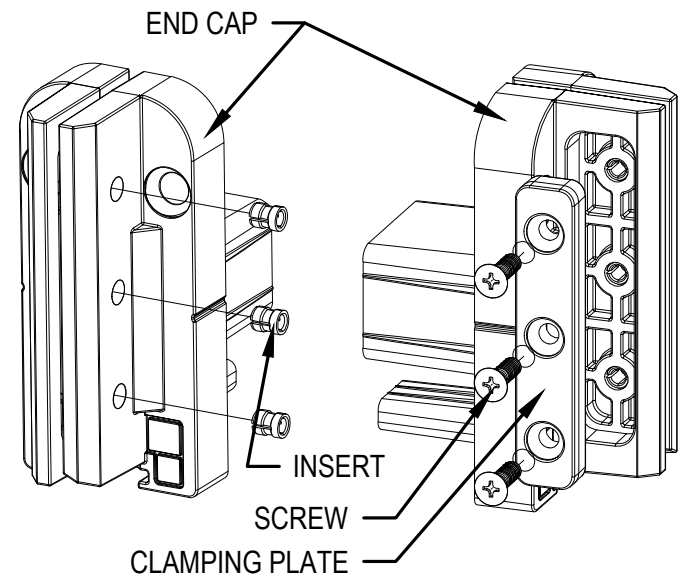
Date: 02.25.22
 Drawn by: AGL

WHILE EVERY ATTEMPT HAS BEEN MADE IN THE PREPARATION OF THESE DRAWINGS TO AVOID MISTAKE, THE DESIGNER CANNOT GUARANTEE AGAINST HUMAN ERROR. PRIOR TO THE COMMENCEMENT OF ANY WORK, CONTRACTOR/OWNER MUST VERIFY ALL CONDITIONS AND DIMENSIONS AT JOB SITE. THE CONTRACTOR/OWNER SHALL REPORT ALL DISCREPANCIES BETWEEN DRAWINGS AND EXISTING CONDITIONS TO THE DESIGNER PRIOR TO COMMENCING WORK.



1 SECTION
SCALE: 12" = 1'-0"

2 ELEVATION
SCALE: 12" = 1'-0"

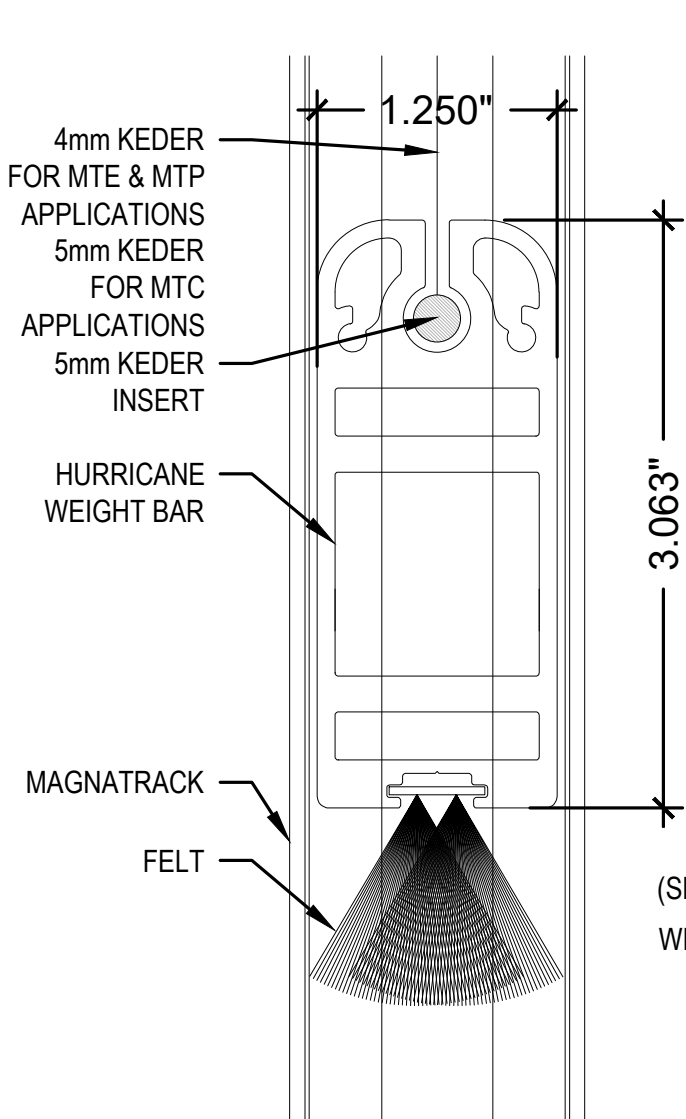


3 ISO DETAIL
SCALE: NTS

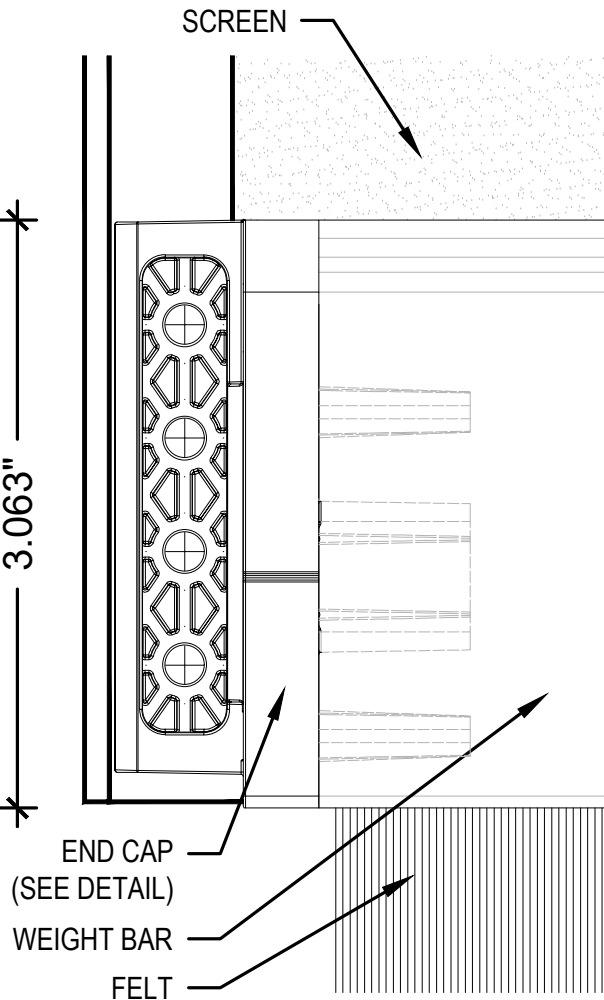
Date: 02.25.22

Drawn by: AGL

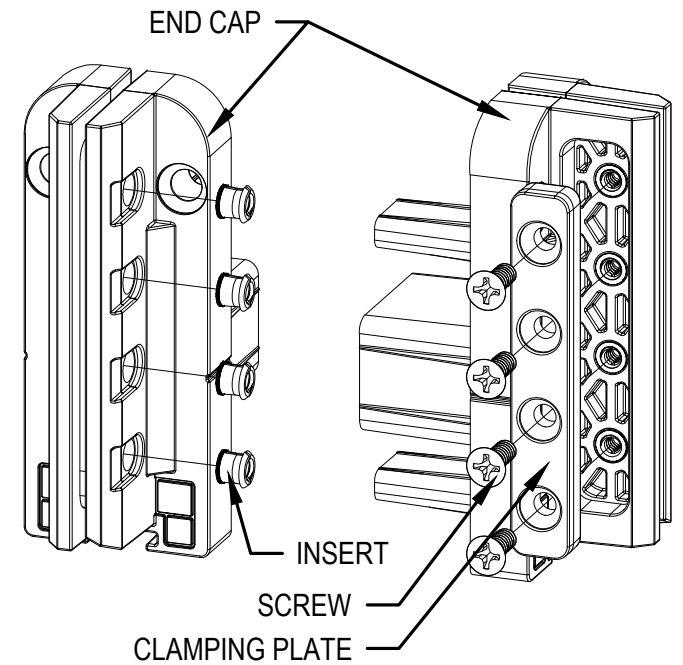
WHILE EVERY ATTEMPT HAS BEEN MADE IN THE PREPARATION OF THESE DRAWINGS TO AVOID MISTAKE, THE DESIGNER CANNOT GUARANTEE AGAINST HUMAN ERROR. PRIOR TO THE COMMENCEMENT OF ANY WORK, CONTRACTOR/OWNER MUST VERIFY ALL CONDITIONS AND DIMENSIONS AT JOB SITE. THE CONTRACTOR/OWNER SHALL REPORT ALL DISCREPANCIES BETWEEN DRAWINGS AND EXISTING CONDITIONS TO THE DESIGNER PRIOR TO COMMENCING WORK.



1 SECTION
SCALE: 12" = 1'-0"



2 ELEVATION
SCALE: 12" = 1'-0"

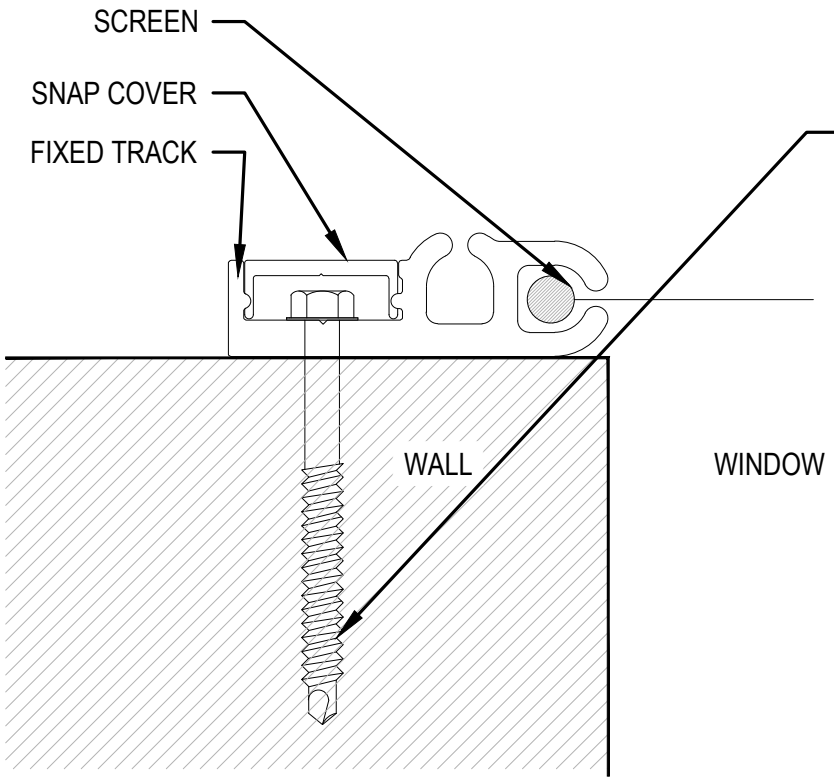


3 ISO DETAIL
SCALE: NTS

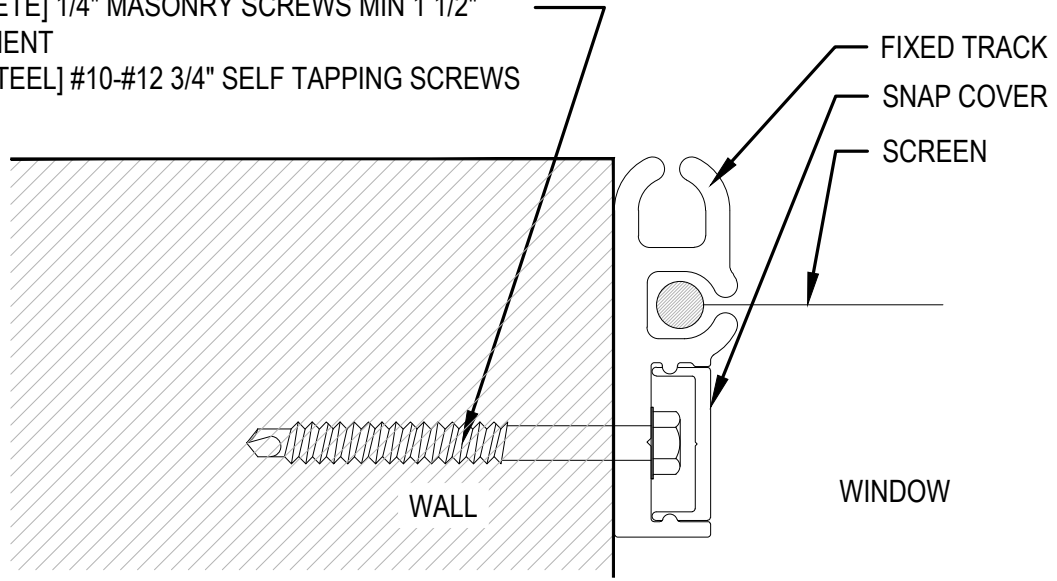
Date: 02.25.22

Drawn by: AGL

WHILE EVERY ATTEMPT HAS BEEN MADE IN THE PREPARATION OF THESE DRAWINGS TO AVOID MISTAKE, THE DESIGNER CANNOT GUARANTEE AGAINST HUMAN ERROR. PRIOR TO THE COMMENCEMENT OF ANY WORK, CONTRACTOR/OWNER MUST VERIFY ALL CONDITIONS AND DIMENSIONS AT JOB SITE. THE CONTRACTOR/OWNER SHALL REPORT ALL DISCREPANCIES BETWEEN DRAWINGS AND EXISTING CONDITIONS TO THE DESIGNER PRIOR TO COMMENCING WORK.

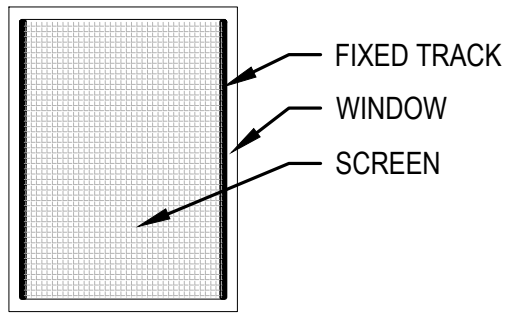
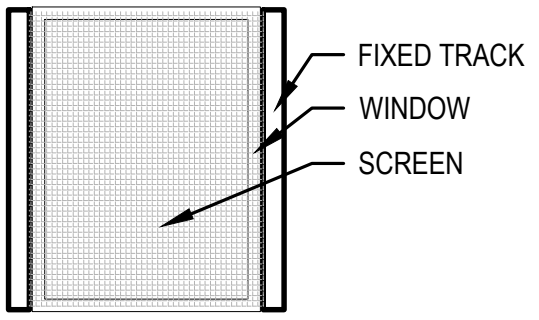


FASTENER ATTACHED @ 12" O.C. INTO JAMB W/
 [WOOD] SDS SCREWS MIN 2 1/2" EMBEDMENT
 [CONCRETE] 1/4" MASONRY SCREWS MIN 1 1/2"
 EMBEDMENT
 [ALUM/STEEL] #10-#12 3/4" SELF TAPPING SCREWS



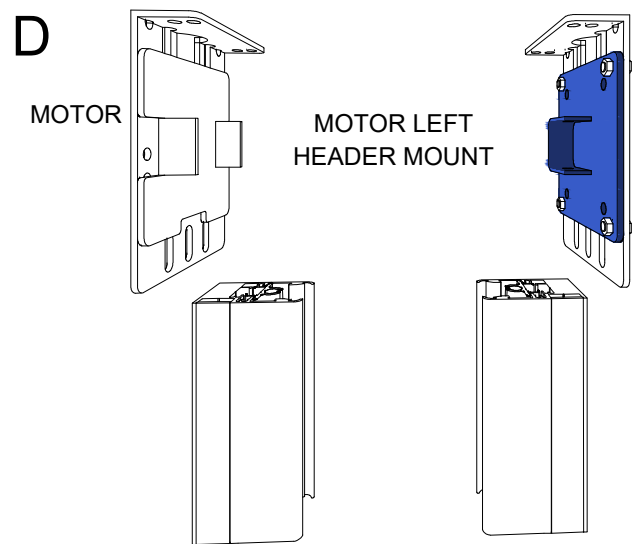
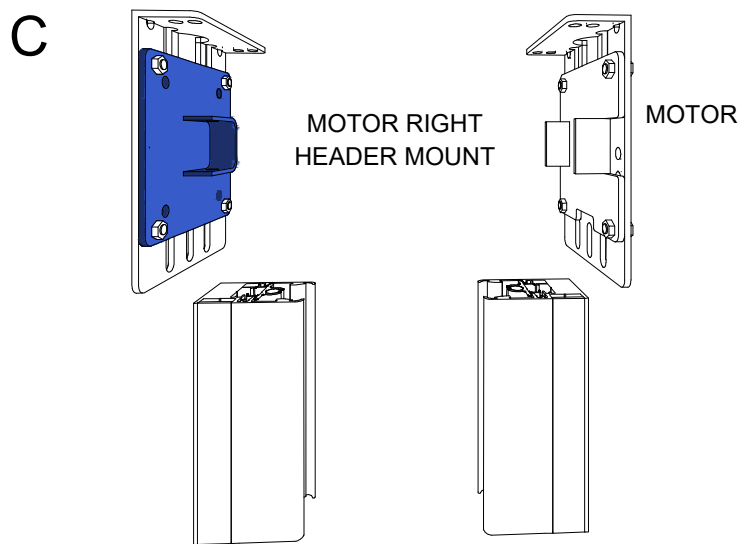
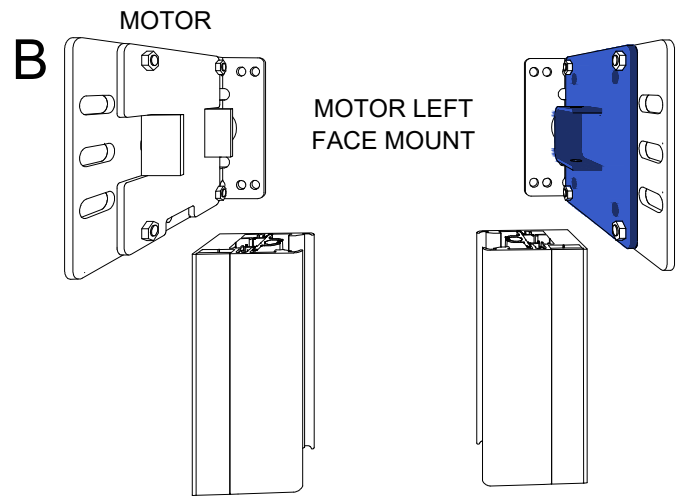
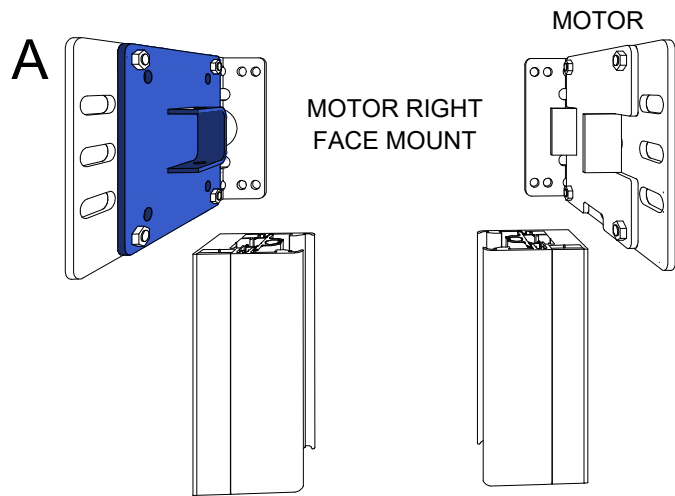
1 SECTION - FACE MOUNT
 SCALE: 12" = 1'-0"

2 SECTION - INSIDE MOUNT
 SCALE: 12" = 1'-0"



3 ELEVATIONS
 SCALE: NTS

Date: 02.25.22
 Drawn by: AGL
 WHILE EVERY ATTEMPT HAS BEEN MADE IN THE PREPARATION OF THESE DRAWINGS TO AVOID MISTAKE, THE DESIGNER CANNOT GUARANTEE AGAINST HUMAN ERROR. PRIOR TO THE COMMENCEMENT OF ANY WORK, CONTRACTOR/OWNER MUST VERIFY ALL CONDITIONS AND DIMENSIONS AT JOB SITE. THE CONTRACTOR/OWNER SHALL REPORT ALL DISCREPANCIES BETWEEN DRAWINGS AND EXISTING CONDITIONS TO THE DESIGNER PRIOR TO COMMENCING WORK.



Date: 02.25.22

Drawn by: AGL

WHILE EVERY ATTEMPT HAS BEEN MADE IN THE PREPARATION OF THESE DRAWINGS TO AVOID MISTAKE, THE DESIGNER CANNOT GUARANTEE AGAINST HUMAN ERROR. PRIOR TO THE COMMENCEMENT OF ANY WORK, CONTRACTOR/OWNER MUST VERIFY ALL CONDITIONS AND DIMENSIONS AT JOB SITE. THE CONTRACTOR/OWNER SHALL REPORT ALL DISCREPANCIES BETWEEN DRAWINGS AND EXISTING CONDITIONS TO THE DESIGNER PRIOR TO COMMENCING WORK.